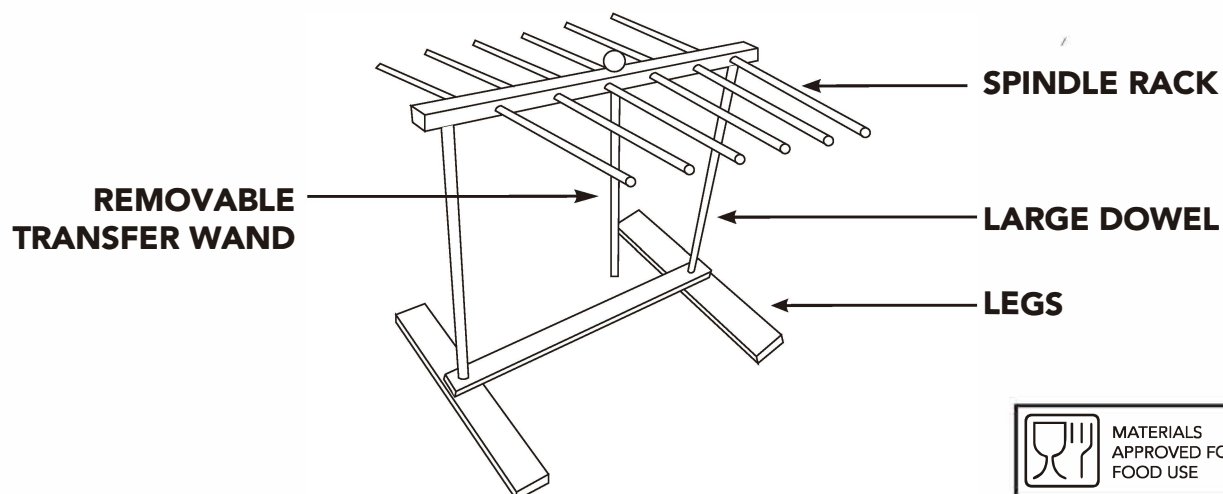


# 1013215



## **WARNINGS & PRECAUTIONS**

FAILURE TO FOLLOW THESE INSTRUCTIONS WILL INVALIDATE ANY GUARANTEE.

- This Vonshef Collapsible Pasta Drying Rack is intended for indoor use only.
- The Drying Rack is not a toy. Do not allow children to play with this product.
- Ensure the item is correctly assembled before resting pasta on the Spindle Rack.
- Keep the Drying Rack away from heat sources such as hobs or fires.
- The Drying Rack is **NOT** dishwasher safe. Hand-wash only.
- **Do NOT** clean the Drying Rack with any abrasive chemicals, solvents or detergents as these may damage the beechwood surface.

## **USAGE**

- The Vonshef Pasta Drying Rack is extremely easy to use and ideal for drying a variety of pasta, from spaghetti to tagliatelle, fettuccine to linguine and even pasta sheets.
- Place the **LEGS** to form a sturdy base then attach it with the 2 **LARGE DOWELS**.
- Position the **SPINDLE RACK** on top of the 2 **LARGE DOWELS** so that the **SPINDLE RACK** is in a horizontal position.
- Before placing your prepared pasta onto the Drying Rack, it is recommended that you lightly dust the **SPINDLES** with flour to avoid any sheets sticking to its surface.
- Allow to dry for around 15 to 20 minutes for soft pasta and at least an hour for hard pasta before cooking or storing.

# CLEANING & MAINTENANCE

---

- To remove any bits of stuck-on dough from your pasta, gently scrape off using a palette knife or similar plastic kitchen utensil and rinse with cold water.

- Wash the SPINDLE RACK using warm soapy water and dry thoroughly.

**CAUTION:** Do not use abrasive cleaning products as they may scratch the beechwood surface of the Drying Rack.

**CAUTION:** Do not leave the SPINDLE RACK to soak in warm water as this will cause the wood to weaken and may cause some of the SPINDLES to crack.

- Dry the SPINDLE RACK immediately after washing using a tea towel.

**NOTE:** It is recommended that you apply a small amount of mineral oil onto the beechwood surface at least once a year using a lint-free cloth. This will help to create a waterproof seal, to keep pastry from sticking and to help prevent the beechwood from drying out.

- Once the Drying Rack has been dried and treated, simply disassemble and store in the hessian bag provided in a cool dry place.

# CUSTOMER SERVICES

---

If you are having difficulty using your product and require support, please contact [support@vonhaus.com](mailto:support@vonhaus.com)

# DISPOSAL INFORMATION

---

Please recycle where facilities exist. Check with your local authority for recycling advice.

# WARRANTY

---

To register your product and find out if you qualify for a free extended warranty, go to:

**[www.vonhaus.com/warranty](http://www.vonhaus.com/warranty)**

Please retain a proof of purchase receipt or statement as proof of the purchase date.

The warranty only applies if the product is used solely in the manner indicated in this manual and all instructions have been followed accurately. Any abuse of the product or the manner in which it is used will invalidate the warranty.

Returned goods will not be accepted unless re-packaged in its original packaging and accompanied by a relevant and completed returns form. This does not affect your statutory rights.

No rights are given under this warranty to a person acquiring this appliance second-hand or for commercial or communal use.

# COPYRIGHT

---

All material in this instruction manual are copyrighted by DOMU Brands Ltd.

Any unauthorised use may violate worldwide copyright, trademark, and other laws.

Thank you for purchasing the Collapsible Pasta Drying Rack.

vonshef is a registered trademark of DOMU Brands Ltd

Made in China for DOMU Brands Ltd M24 2RW.