



17-PIECE CERAMIC LINED ALUMINIUM PAN SET

Product Instructions

Product No. 1013226

vonshef

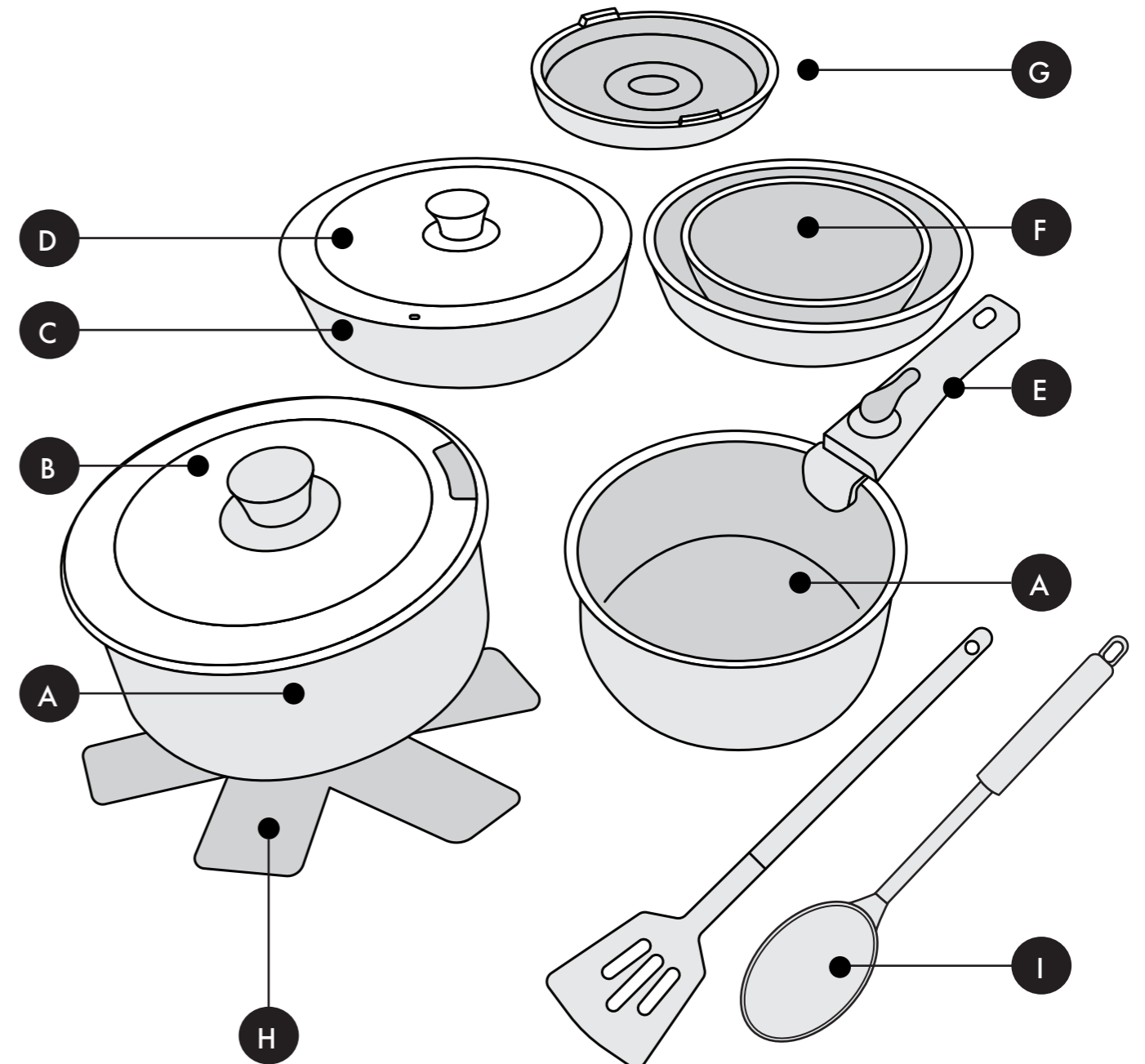
Let's get started!

Visit our product hub for useful tips and tricks on getting the most out of your new product.

SCAN ME



Diagram



Cookware:

- A. Saucepans x2
- B. Saucepan lid x1
- C. Frying pan x1
- D. Frying pan lid x1
- E. Handles x2
- F. Shallow bowls x2
- G. Small round lid x2

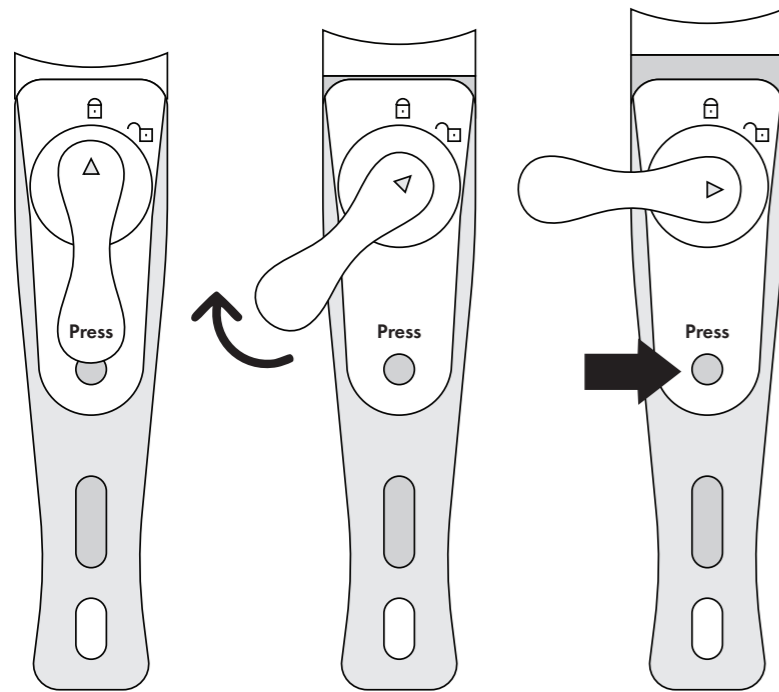
Accessories:

- H. Trivets x4
- I. Utensils x2

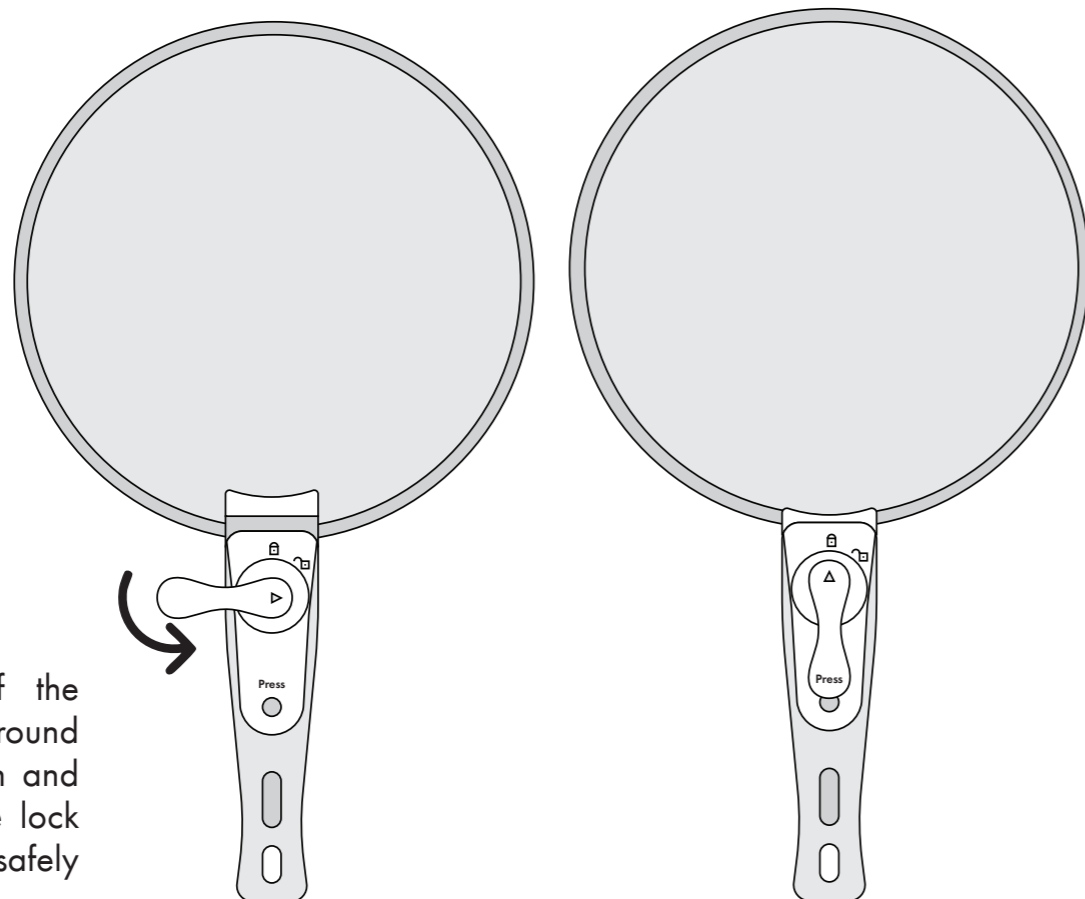
Need further help?
support@vonhaus.com

See our full range at
www.vonhaus.com

Attaching and Detaching the Handle

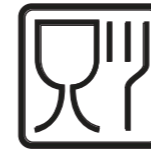


To Extend Handle:
Turn the knob to 'unlock' position and press the push button to extend the top of the handle.



To Attach to Pan:
Clamp the top of the handle completely around the edge of the pan and turn the knob to the lock position so you can safely use the handle.

Usage & Safety



Materials approved for food use



Not suitable for microwave use

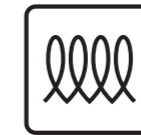
Refer to the symbols displayed below to ensure suitability for your hob.

IMPORTANT Always dry the base of your cookware before cooking.

IMPORTANT Always match the base to the hob or heat zone. Gas flames must always be confined to the base area and never allowed to extend up and around the sides of your Cookware. Take care to centre your cookware to get the most from your hob.



Electric Hob



Induction



Gas



Ceramic



Halogen

Information

Important Safety Notice

This product is **not suitable for use by children** or by individuals with **physical, sensory, or mental impairments** that may limit their ability to operate the equipment safely, **unless** they have been given supervision or instruction concerning the safe use of the product by a person responsible for their safety.

Improper use may result in serious injury. Always ensure the operator is capable of understanding and following all safety instructions provided in this manual.

Before First Use

Remove all packaging and wash thoroughly in hot soapy water with mild detergent. Dry completely.

For non-stick cookware: Pre-condition by wiping the inner surface with vegetable oil, heating gently, cooling thoroughly, then wiping clean.

Using Your Cookware

Suitable for: Gas, electric, solid hotplate, ceramic, radiant ring, and induction hobs. Maximum temperature: 250°C (482°F).

Heat Guidelines:

- Long-term open flame use may reduce handle lifespan
- Don't place pans larger than hob size on heat
- Keep flames from touching cookware sides
- Use lowest heat setting for energy efficiency
- Never leave cookware unattended

Cooking Tips:

- Suitable for ovens and refrigerators
- Avoid adding damp food to hot oil (causes splashing)
- Always use small amounts of oil or fat for non-stick surfaces
- Use only heat-resistant plastic, silicone, or wooden utensils
- Don't cut food in the pan
- Avoid high-salt foods (may cause pitting)
- Fill maximum two-thirds capacity to prevent spillage

Cleaning

- Cool completely before cleaning
- Never pour cold water on hot cookware (causes warping)
- Hand wash recommended with mild detergent and soft cloth
- For stubborn stains: use non-abrasive plastic mesh with hot soapy water
- Don't soak for extended periods
- Dishwasher use discouraged - specialised detergents may damage non-stick coating

Storage

- Store in a dry, clean place. Cookware may be stacked to save space.
- Use pan protectors between pans to prevent scratching.

Safety Warnings

- Handles may become hot - use oven gloves
- Don't let handles overhang hob edges
- Never allow cookware to boil dry (causes warping)
- Don't expose hot cookware to cold water
- If severely overheated, cool to room temperature before moving
- Silicone tool set: Keep away from direct heat/naked flames; not dishwasher safe

Information

Customer Service

If you are having difficulty using this product and require support, please contact support@vonhaus.com

Warranty

To register your product and find out if you qualify for a free extended warranty please go to www.vonhaus.com/warranty

Please retain a proof of purchase receipt or statement as proof of the purchase date.

The warranty only applies if the product is used solely in the manner indicated in the warnings page of this manual, and all other instructions have been followed accurately.

Any abuse of the product or the manner in which it is used will invalidate the warranty.

Returns

Returned goods will not be accepted unless re-packaged in its original packaging and accompanied by a relevant and completed returns form. This does not affect your statutory rights.

No rights are given under this warranty to a person acquiring the appliance second-hand or for commercial or communal use.

Copyright

All material in this instruction manual are copyrighted by DOMU Brands.

Any unauthorised use may violate worldwide copyright, trademark, and other laws.

Thank You

Thank you for purchasing your product/appliance.

Should you require assistance with your purchase, please contact us at support@vonhaus.com

Vonshef is a registered trademark of DOMU Brands Ltd.

Made in China for DOMU Brands Ltd.
Unit 30, Stakehill Industrial Estate
Middleton, Manchester, M24 2RW

EU Authorised Representative

Authorised Representative Service
77 Camden Street Lower
Dublin, D02 XE80
Ireland

Let's get started!

Visit our product hub for useful tips and tricks on getting the most out of your new product.

SCAN ME

