

BLADELESS TOWER FAN

Product Instructions

Product No. 2000329

vonhaus

Let's get started!

Visit our product hub for useful tips and tricks on getting the most out of your new product.

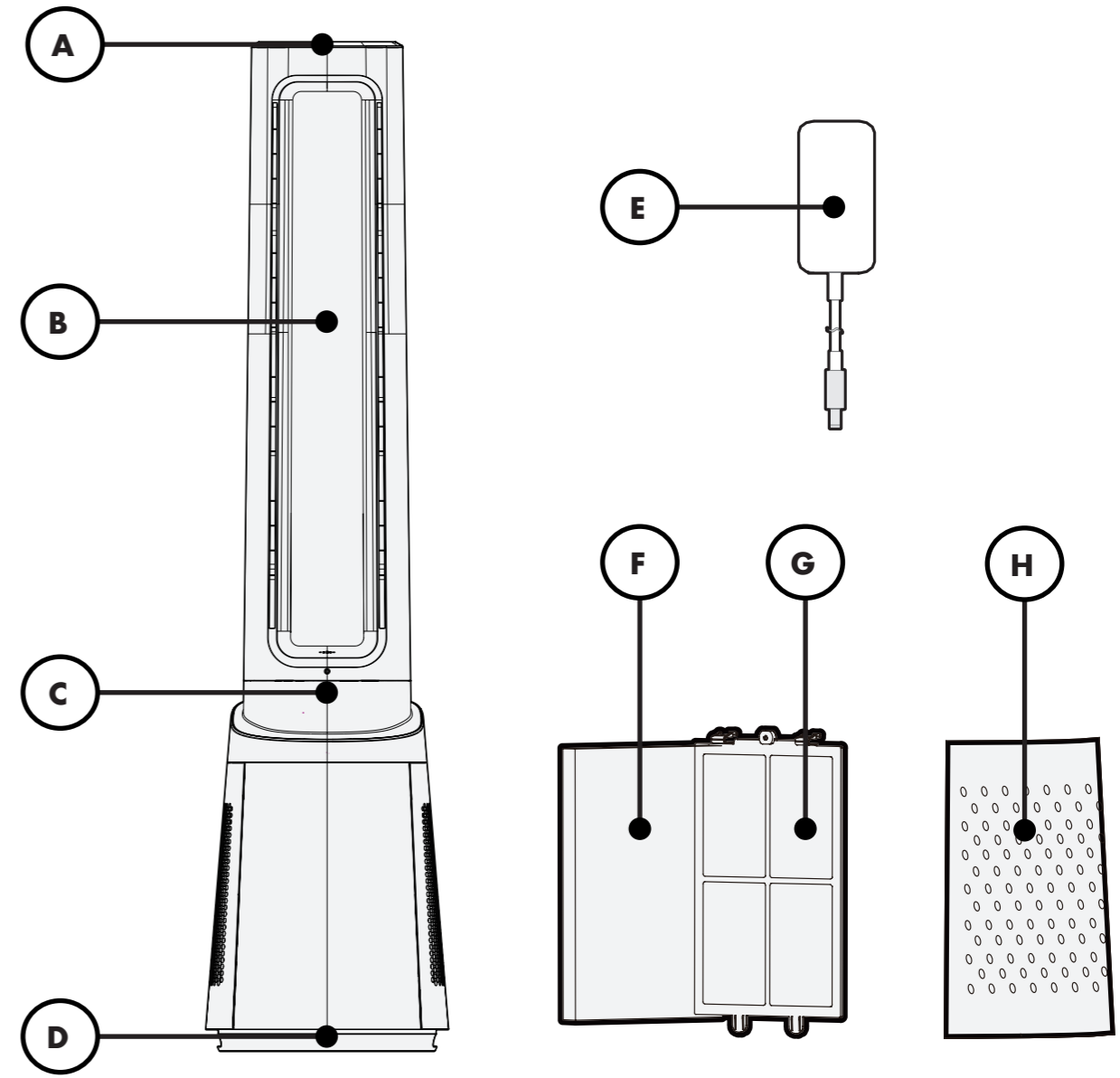
SCAN ME



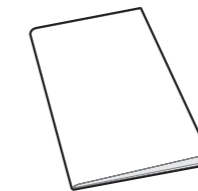
Need further help?
support@vonhaus.com

See our full range at
www.vonhaus.com

Product Diagram



I

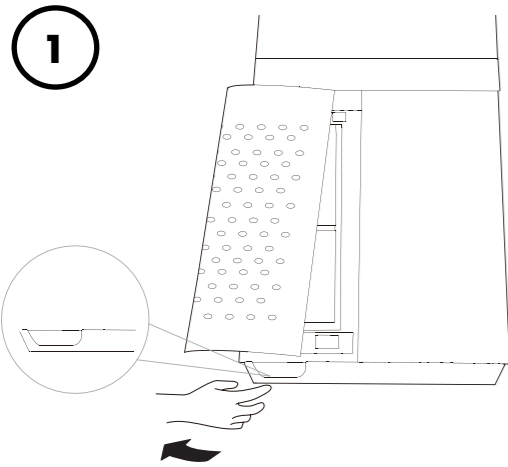


J

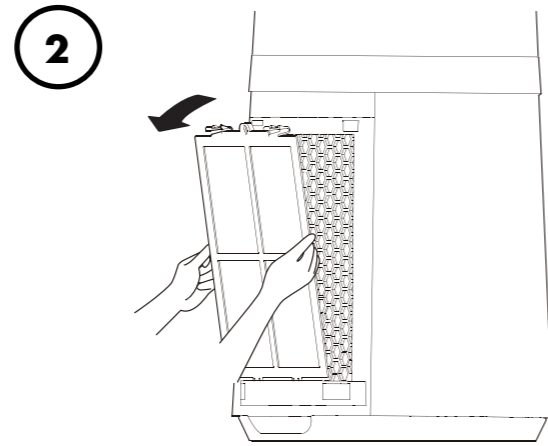
- A. Top Cover
- B. Air Outlet
- C. Display & Control Panel
- D. Base
- E. Adapter

- F. HEPA Filter x2
- G. Pre-Filter x2
- H. Air Inlet Grill x2
- I. Remote Control
- J. Manual

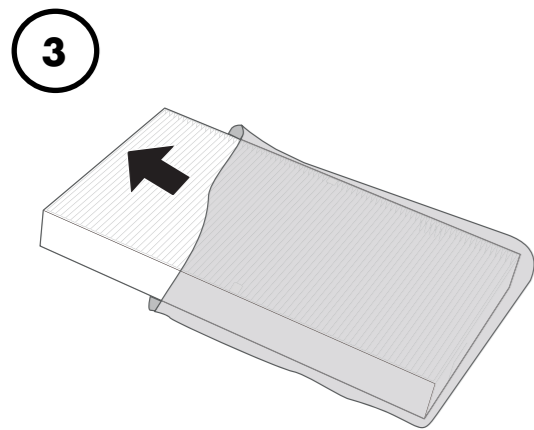
Assembly Instructions



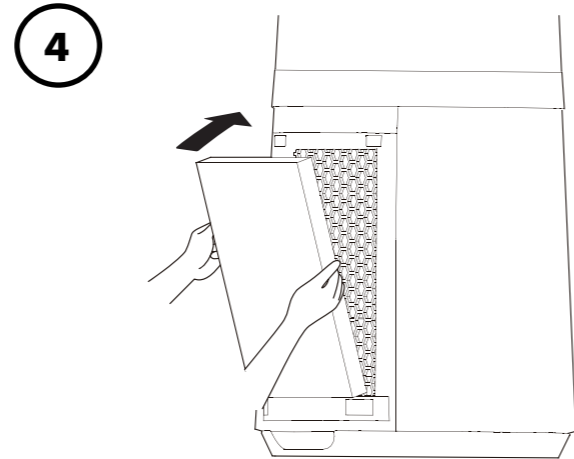
1
Remove the air inlet grill



2
Take out the pre-filter
Press the raised parts on both sides to pull it outward and remove the pre-filter.

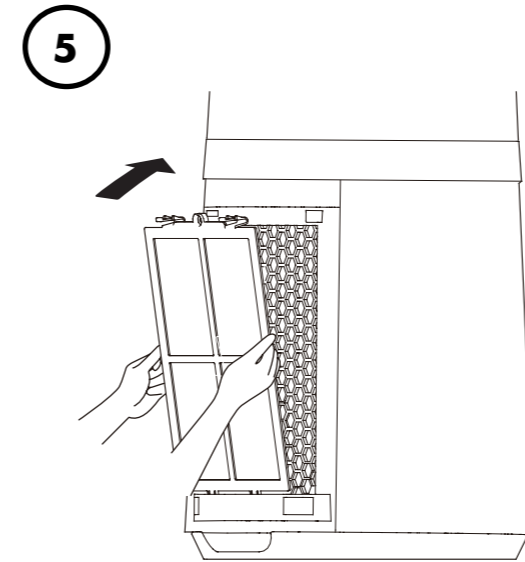


3
Remove the protective film from the HEPA filter

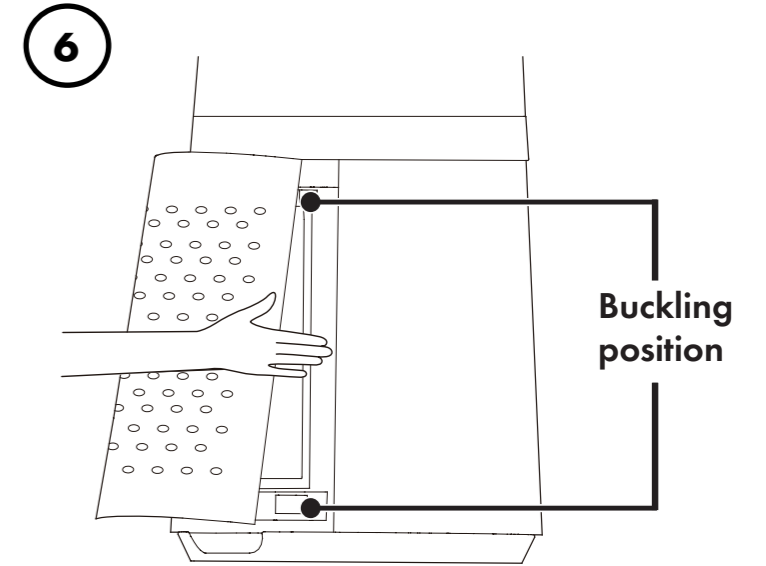


4
Install the HEPA filter into the device

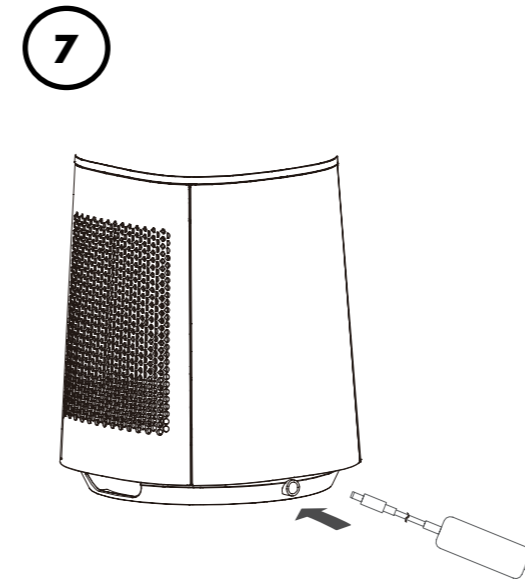
Assembly



5
Install the pre-filter
Align the slot at the bottom and fasten the upper U-shaped buckle to secure it in place.



6
Install the air inlet grill
Line up the top two buckles and press them down firmly. Then, press the lower sides gently until the grill is fully secured.



7
Attach the adapter.
Insert the plug into the base socket and tighten it. Plug in the power supply.

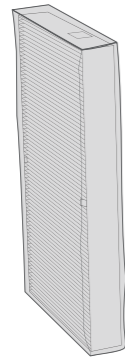
Note:

It is recommended to clean the pre-filter every two weeks and replace it every six months.

You may need to adjust the cleaning and replacement schedule depending on your environment.

Filter Replacement

1



2

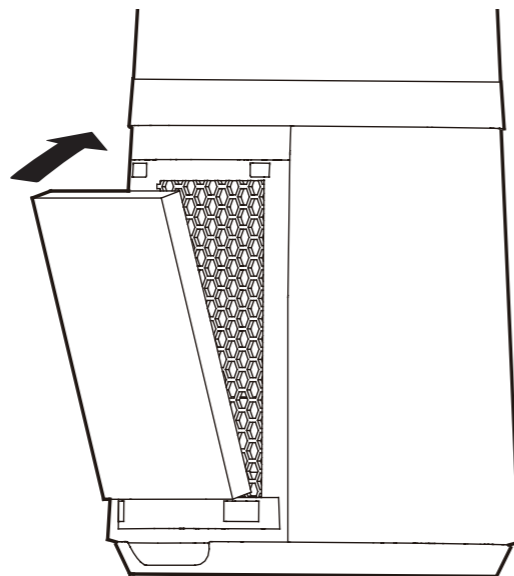


The filter model for this device is FQ150CJ-2 and the package includes two sets.

When the filter replacement indicator lights up, you will receive a prompt to change the filter. If not replaced, the reminder will reappear each time you turn on the device.

3

To replace the filter:

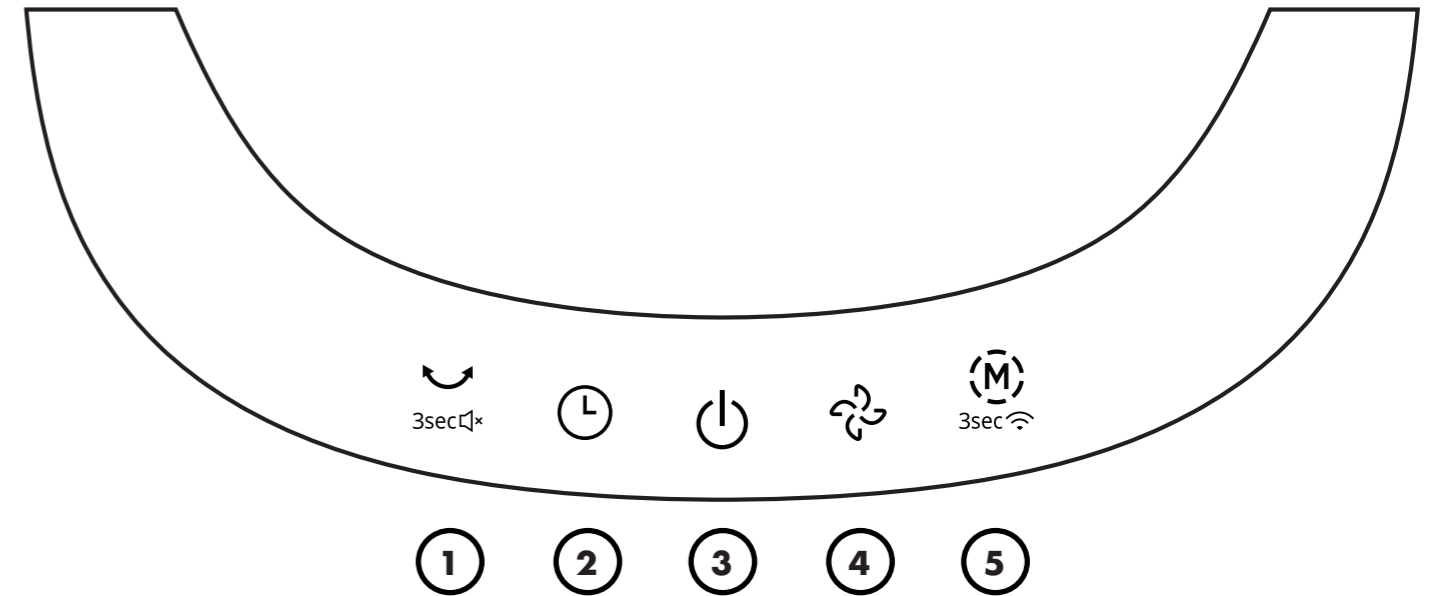


4

Once you have replaced the filter, you can turn off the filter replacement indicator light by pressing and holding the Mode button for 3 seconds.



Control Panel Operation



1  3sec 

Oscillation

- Press: Toggles the left/right oscillation on or off.
- Press and hold (3 seconds): Turns mute mode on or off.

2 

Timer

- Sets a scheduled shut-off timer between 1 and 12 hours.

3 

Power

- Turns the unit on or off.

4 

Speed

- Adjusts the wind speed between levels 1 and 10.

5  3sec 




Mode

- Press: Cycles through the wind modes: Normal, Sleep, Baby, and Auto (which adjusts wind speed based on temperature).
- Press and hold (3 seconds): Activates App pairing mode.

4  +  3sec 

Wireless Network Reset

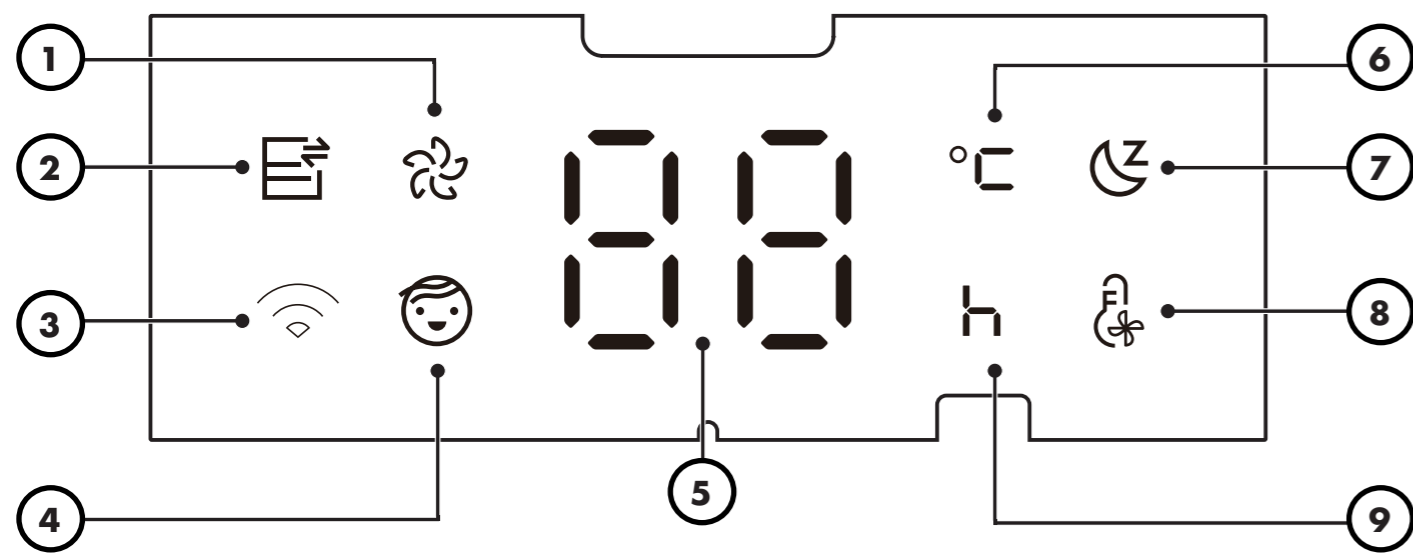
- Press and hold the "Mode" and "Fan Speed" buttons for 2 seconds to reset the wireless network.

5  3sec  + 










Filter Reset

- Press and hold the "Oscillation" and "Timer" buttons for 3 seconds to reset the filter, clear the operation timer and turn off the filter replacement light.

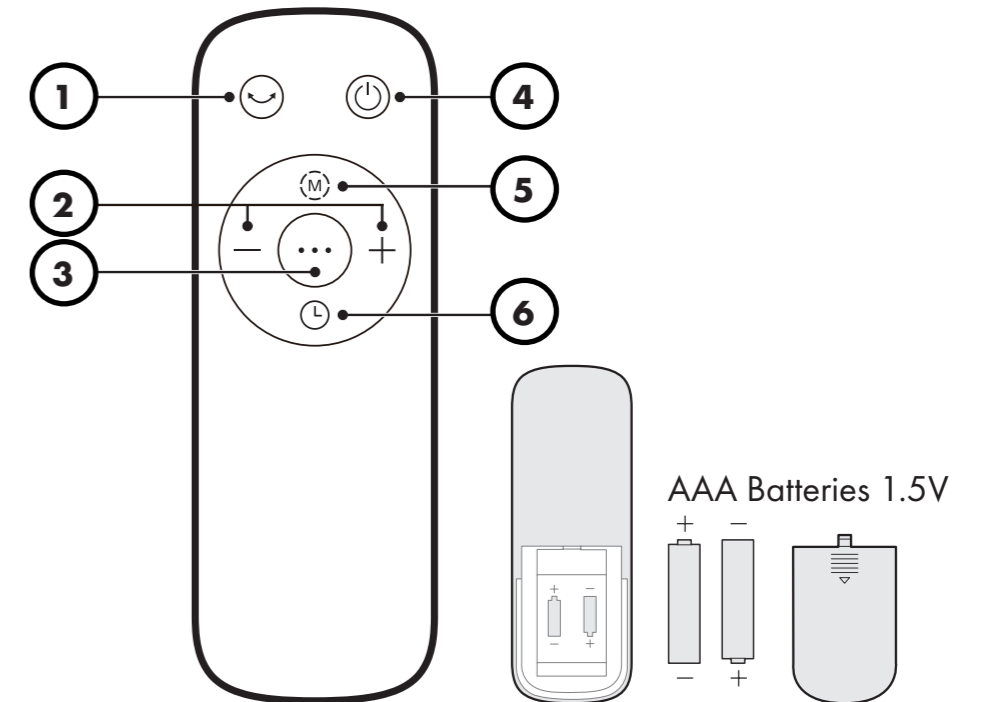
Display Screen Operation


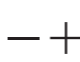






Display and Indicator Functions

- 1**  Lights up when the fan is operating in Normal Mode.
- 2**  Illuminates continuously when the air filter needs to be replaced.
- 3**  **Steady Light:** Connected to Wi-Fi | **Flashing Slowly:** Setup mode enabled (ready to pair) | **Flashing Quickly:** Connecting to router
- 4**  Lights up when in Baby Mode. In this mode, the fan runs a programmed cycle. You can manually select between two intensity levels (1 or 2) using the Speed button.
- 5**  Shows the current wind speed (1–10), the timer setting (hours), or the current room temperature depending on the mode.
- 6**  Temperature unit indicator light, displayed alongside the temperature.
- 7**  Sleep Mode: Runs a quiet cycle for sleeping; select from intensity levels 1, 2, or 3 using the Speed button.
- 8**  Lights up when in Auto Mode (Intelligent Wind). In this mode, the fan speed automatically changes based on the room temperature.
- 9**  Lights up to indicate that the number on the display represents the timer setting in hours.

Remote Control



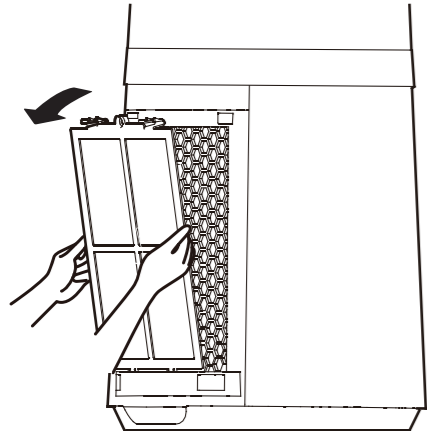
- 1**  **Oscillation**
Press to start or stop the fan's oscillating (side-to-side) movement.
- 2**  **+ / - Buttons**
Press the + or - buttons to adjust the wind speed or set the timer duration.
- 3**  **Mute**
Press to turn mute mode on/off.
- 4**  **On/standby**
Press to turn the device on or put it into standby mode.
- 5**  **Mode**
Press to switch between wind types.
- 6**  **Timer**
Press to set the timer.

Battery Information

Use AAA manganese or alkaline batteries.
Do not use rechargeable batteries or mix old and new batteries, or different battery types.

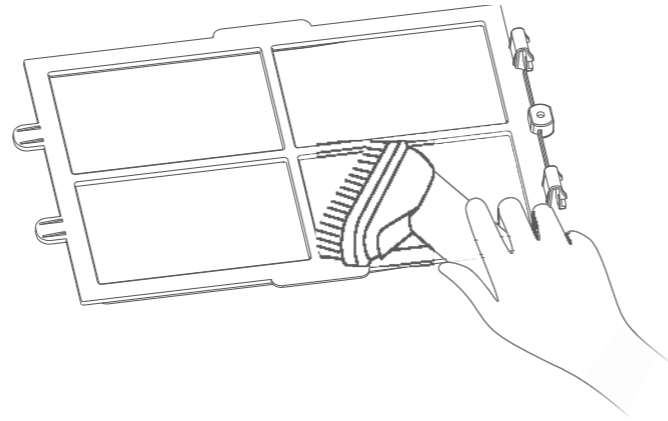
Pre-Filter Cleaning

1



Unplug the power cord and remove the pre-filter.

2



Use a vacuum cleaner to remove any dust from the pre-filter. Reinstall the pre-filter, connect the machine back together, and plug in the power cord.

Connect to WiFi

Download the Smart Life App

The "Smart Life" app works on Android and iPhone. Scan the QR code to download it directly.



Step 1: Get Ready

- Install the "Smart Life" app and create an account
- Turn on WiFi and Bluetooth on your phone

Step 2: Prepare Your Appliance

- Place the fan within 5 meters of your router
- Press and hold the Mode button for 3 seconds to activate WiFi. The WiFi indicator light will flash slowly to show its ready to pair

Important: If the WiFi light goes off, press the Mode and Fan Speed button together for 3 seconds to reset the wireless connection



IMPORTANT

This app is supported only on 2.4GHz Wi-Fi networks. Please ensure your phone is 2.4GHz capable.

(Note: This device will only work within your home Wi-Fi system. It does not operate on 3G, 4G or 5G internet connections.).

Step 3: Step 3: Connect to WiFi

Now choose one of these two methods:

Method 1: Bluetooth

1. Make sure Bluetooth is on
2. Open the "Smart Life" app whilst the WiFi light is flashing
3. The app will connect your appliance to WiFi automatically

Method 2: Manual

1. Open the "Smart Life" app whilst the WiFi light is flashing
2. Select "Add Device" "Small Home Appliances" "Fan"
3. Follow instructions in the app
4. Watch your WiFi light:
 - **Fast flashing:** The app will connect directly
 - **Slow flashing:** Tap "Go to Connect," join the "SmartLife-XXXX" network, then return to the app

Success!

The WiFi light stays on solid (no flashing)
You can now control your appliance through the app

To Disconnect

Press and hold the Mode button until the WiFi indicator light turns off

Safety Information

Important Safety Notice

This product is **not suitable for use by children** or by individuals with **physical, sensory, or mental impairments** that may limit their ability to operate the equipment safely, **unless** they have been given supervision or instruction concerning the safe use of the product by a person responsible for their safety.

Improper use may result in serious injury. Always ensure the operator is capable of understanding and following all safety instructions provided in this manual.

Caution

Never put the unit, cord, or plug in water or any other liquid to avoid electric shock.

Unplug the appliance when not in use or before cleaning.

Safety

This fan is for indoor and home use only.

Once assembled, do not remove the rotor blade guard.

- Unplug the fan before cleaning.
- Do not take apart the rotor guard to clean the blades.
- Wipe the fan and blades with a damp cloth.

Use only the power supply unit that comes with the appliance.

Batteries are to be inserted with the correct polarity exhausted batteries are to be removed from the appliance and safely disposed of if the appliance is to be stored unused for a long period, the batteries are removed the supply terminals are not to be short-circuited.

This appliance can be used by children aged from 8 years and above and persons with reduced physical, sensory or mental capabilities or lack of experience and knowledge if they have been given supervision or instruction concerning use of the appliance in a safe way and understand the hazards involved.

Children shall not play with the appliance. Cleaning and user maintenance shall not be made by children without supervision.

Troubleshooting

If the fan doesn't work after installation:

- Make sure the power cable is properly plugged in and has good contact.
- Check that the switch on the fan's body is turned on.

If the remote control doesn't work:

- Replace the battery.
- Make sure you are using the remote within 5 meters of the fan and aim it directly at the display panel.

Cleaning and Maintenance

Do not attempt repairs yourself. Contact a qualified technician if service is needed.

Always unplug the product before cleaning.

Clean plastic parts with mild soap and a damp cloth or sponge. Make sure all soap is rinsed off with clean water.

Never allow water or any liquid to get into the motor.

Information

Disposal



Dispose of this product correctly according to local regulations for electronic waste.

Specifications

Working voltage: 24V

Rated power: 36W

Adapter: Input 100-240V~ 50/60Hz 1.5A, Output 24V 1.5A

Customer Service

If you are having difficulty using this product and require support, please contact support@vonhaus.com

Warranty

To register your product and find out if you qualify for a free extended warranty please go to www.vonhaus.com/warranty

Please retain a proof of purchase receipt or statement as proof of the purchase date.

The warranty only applies if the product is used solely in the manner indicated in the warnings page of this manual, and all other instructions have been followed accurately.

Any abuse of the product or the manner in which it is used will invalidate the warranty.

Returns

Returned goods will not be accepted unless re-packaged in its original packaging and accompanied by a relevant and completed returns form. This does not affect your statutory rights.

No rights are given under this warranty to a person acquiring the appliance second-hand or for commercial or communal use.

Copyright

All material in this instruction manual are copyrighted by DOMU Brands.

Any unauthorised use may violate worldwide copyright, trademark, and other laws.

Thank You

Thank you for purchasing your product/appliance.

Should you require assistance with your purchase, please contact us at support@vonhaus.com

Vonhaus is a registered trademark of DOMU Brands Ltd.

Made in China for DOMU Brands Ltd.
Unit 30, Stakehill Industrial Estate
Middleton, Manchester, M24 2RW

EU Authorised Representative

Authorised Representative Service
77 Camden Street Lower
Dublin, D02 XE80
Ireland

Let's get started!

Visit our product hub for useful tips and tricks on getting the most out of your new product.

SCAN ME

