

ARUBA DINING SET

Product Instructions

Product No. 2020023

vonhaus

Let's get started!

Visit our product hub for useful tips and tricks on getting the most out of your new product.

SCAN ME



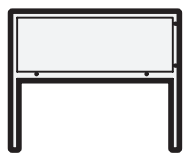
60 Mins

Need further help?
support@vonhaus.com

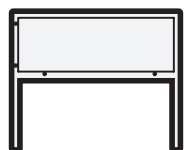
See our full range at
www.vonhaus.com

Components

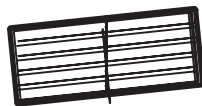
A 1x



B 1x



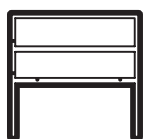
C 1x



D 1x



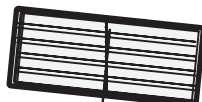
E 1x



F 2x



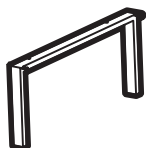
G 1x



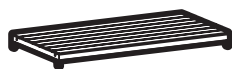
H 1x



I 1x



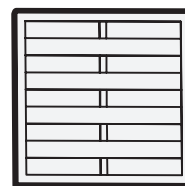
J 1x



K 2x



L 1x



M 4x



N 4x



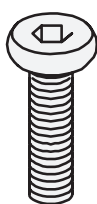
O 7x



P 2x



Q 2x



1 26x

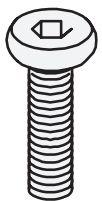
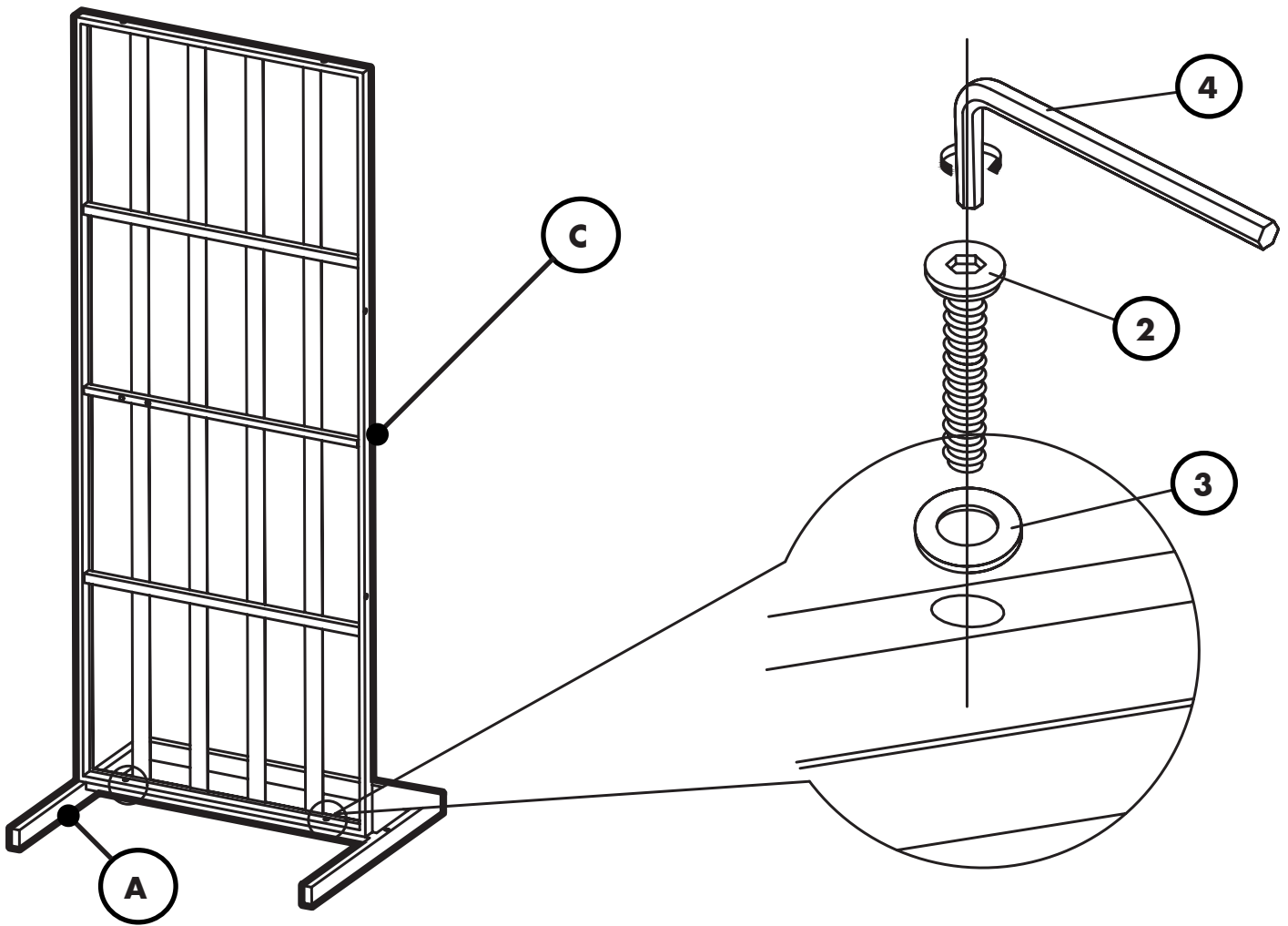
2 22x

3 48x

4 2x

Assembly

1



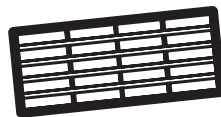
2 2x



3 2x



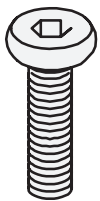
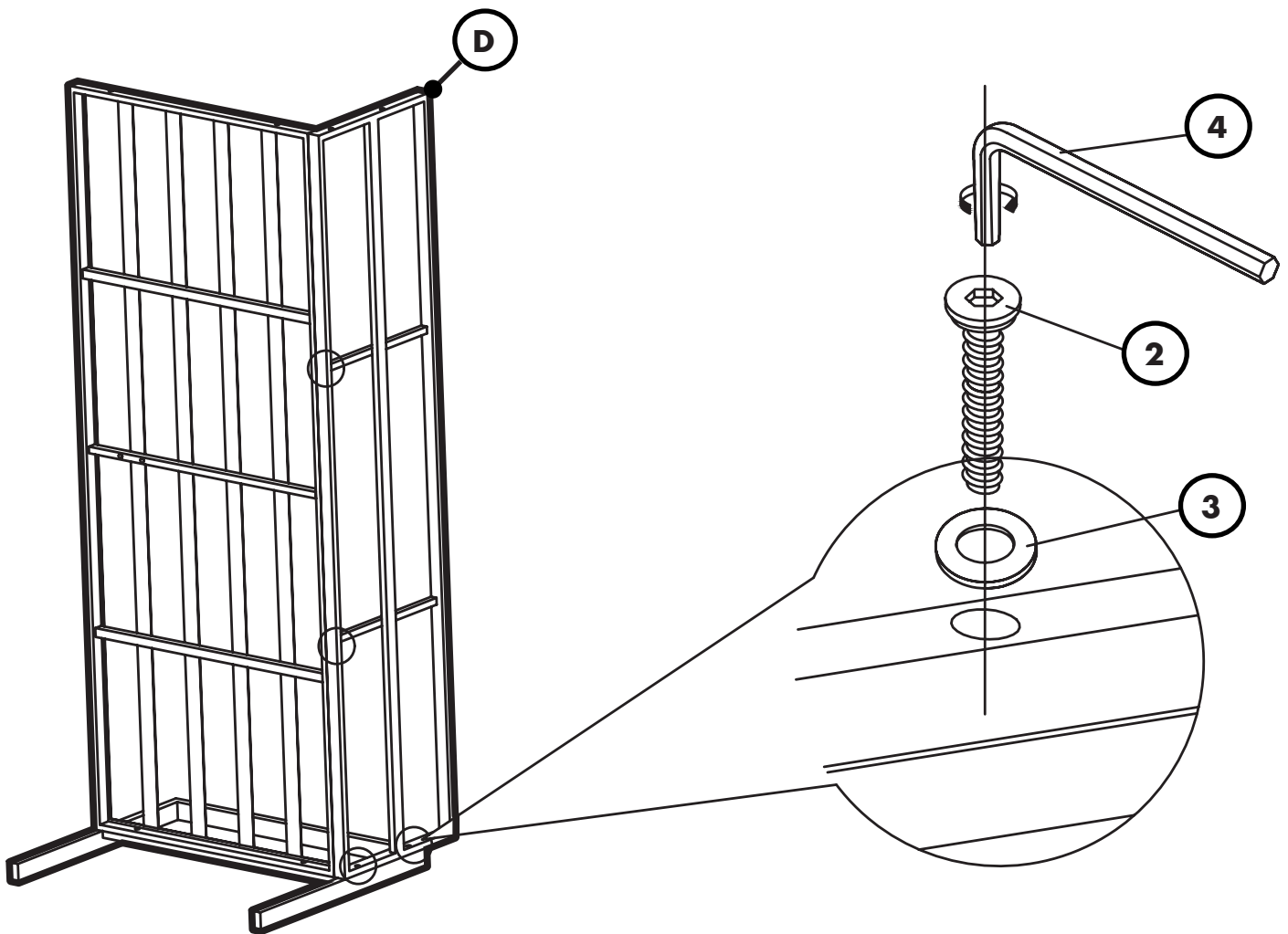
A 1x



C 1x

Assembly

2



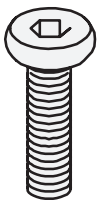
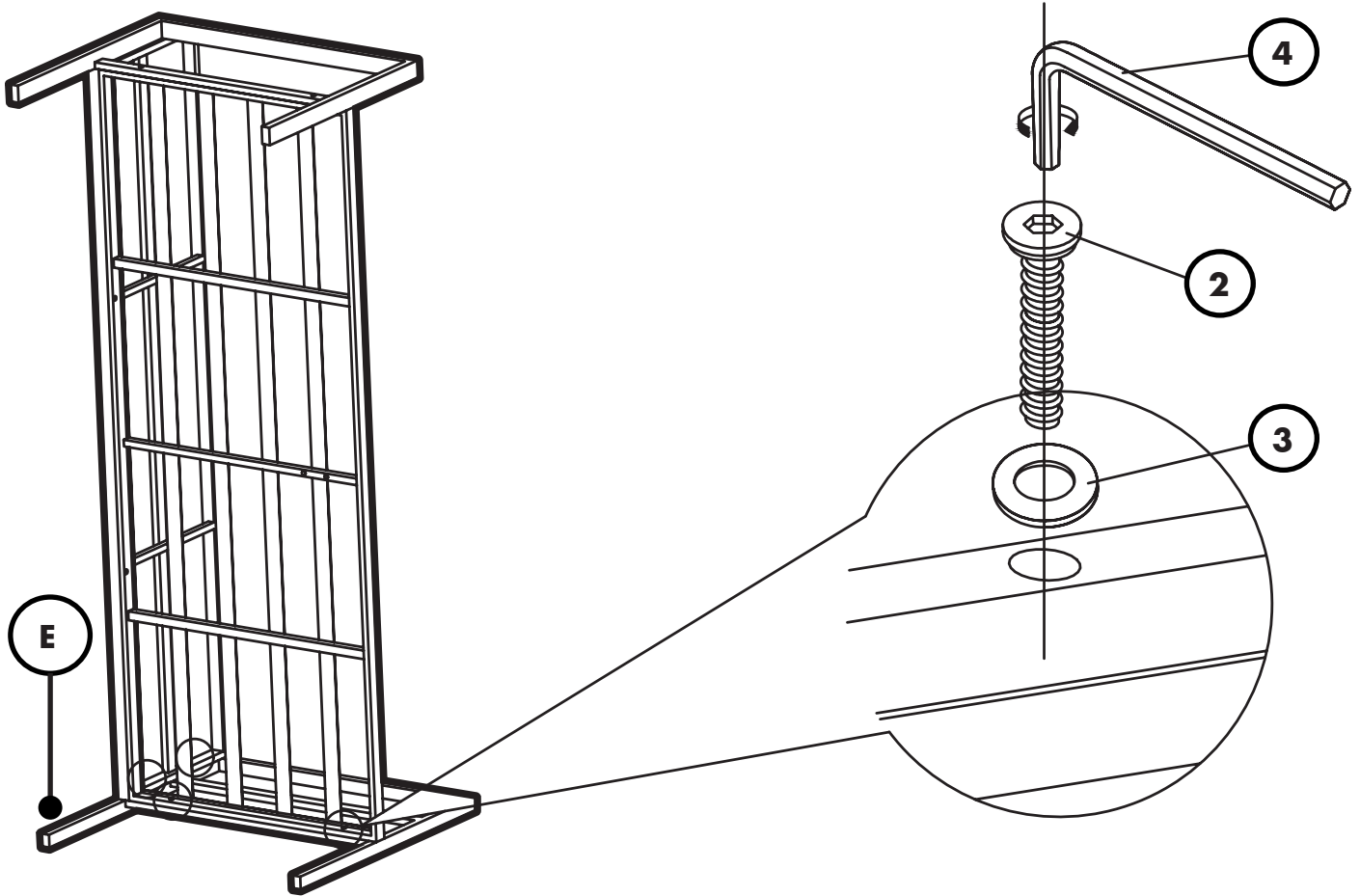
2 4x

3 4x

D 1x

Assembly

3



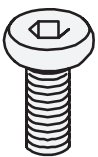
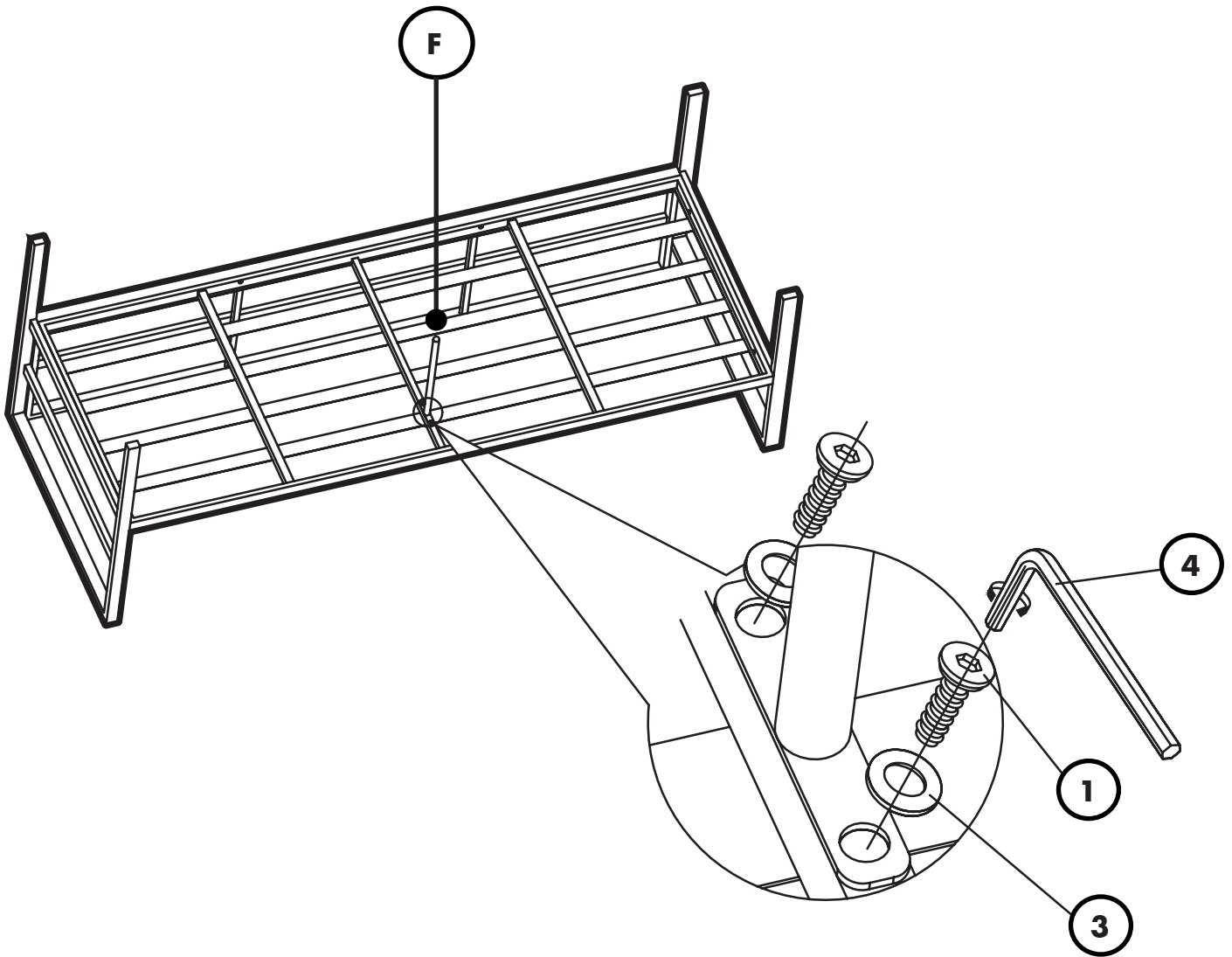
2 4x

3 4x

E 1x

Assembly

4



1

2x

3

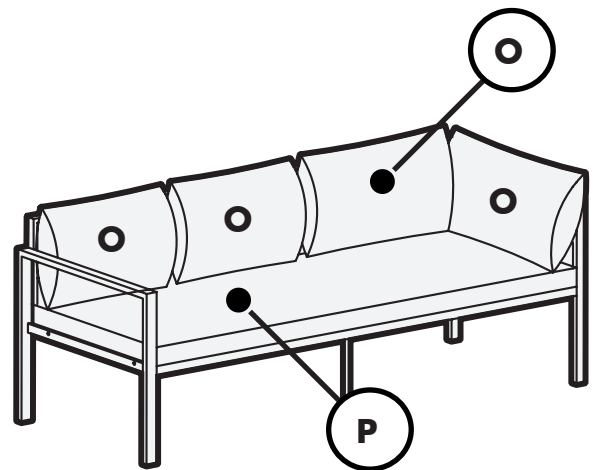
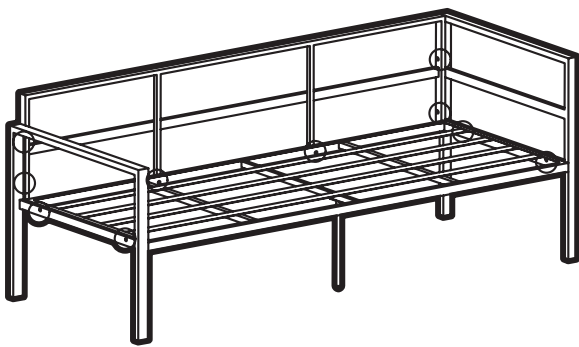
2x

F

1x

Assembly

5



IMPORTANT: Make sure all fittings are tight



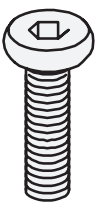
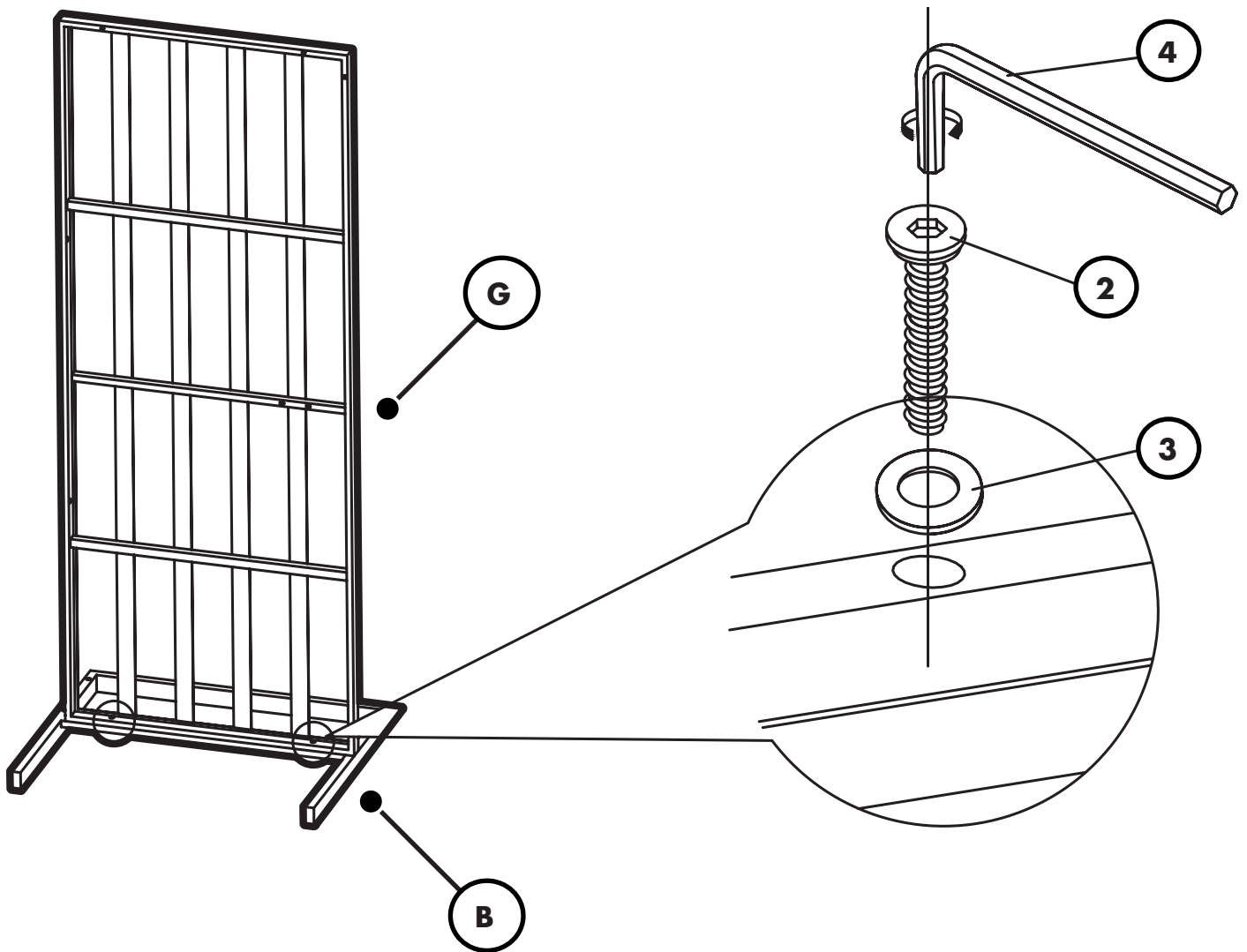
4x



1x

Assembly

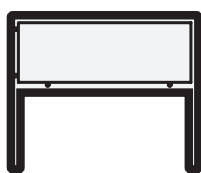
6



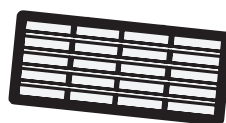
2 2x



3 2x



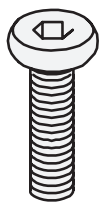
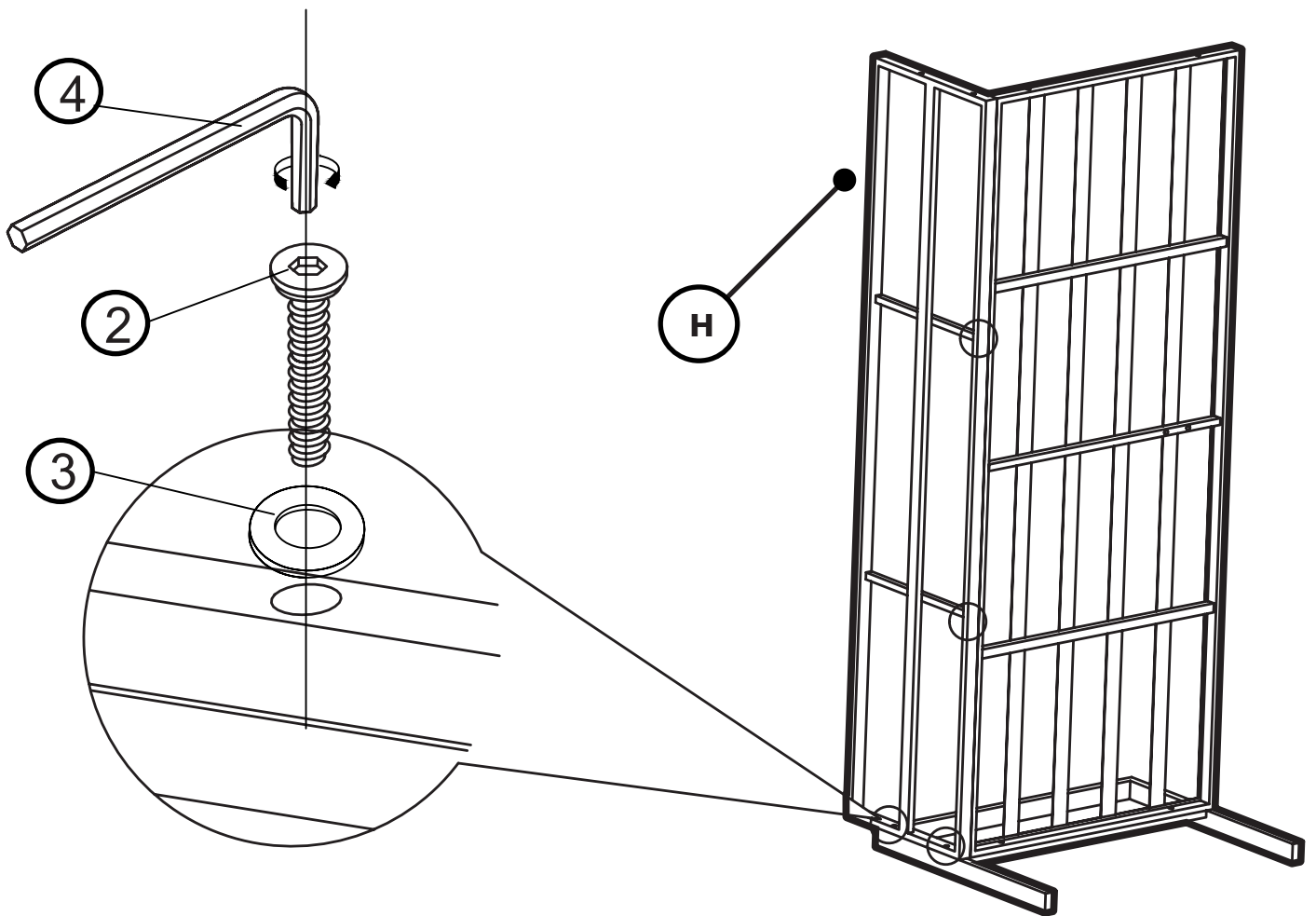
B 1x



G 1x

Assembly

7



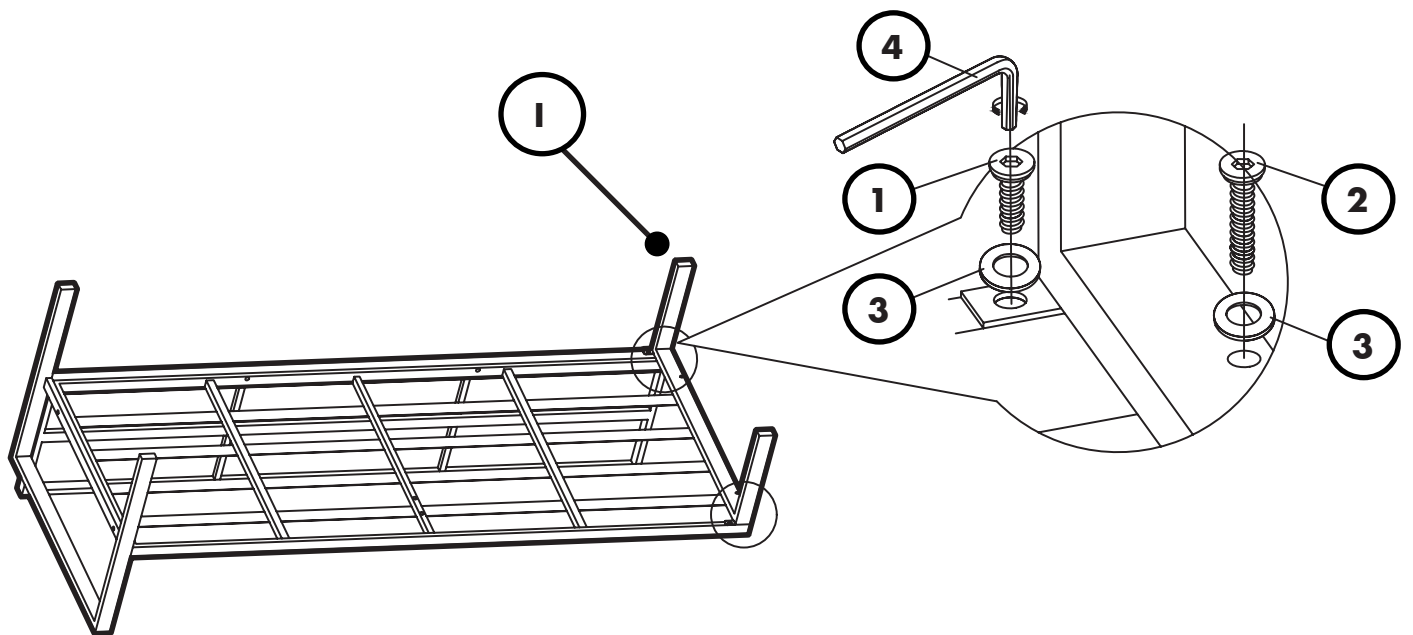
2 4x

3 4x

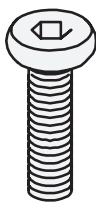
H 1x

Assembly

8



1 2x



2 2x



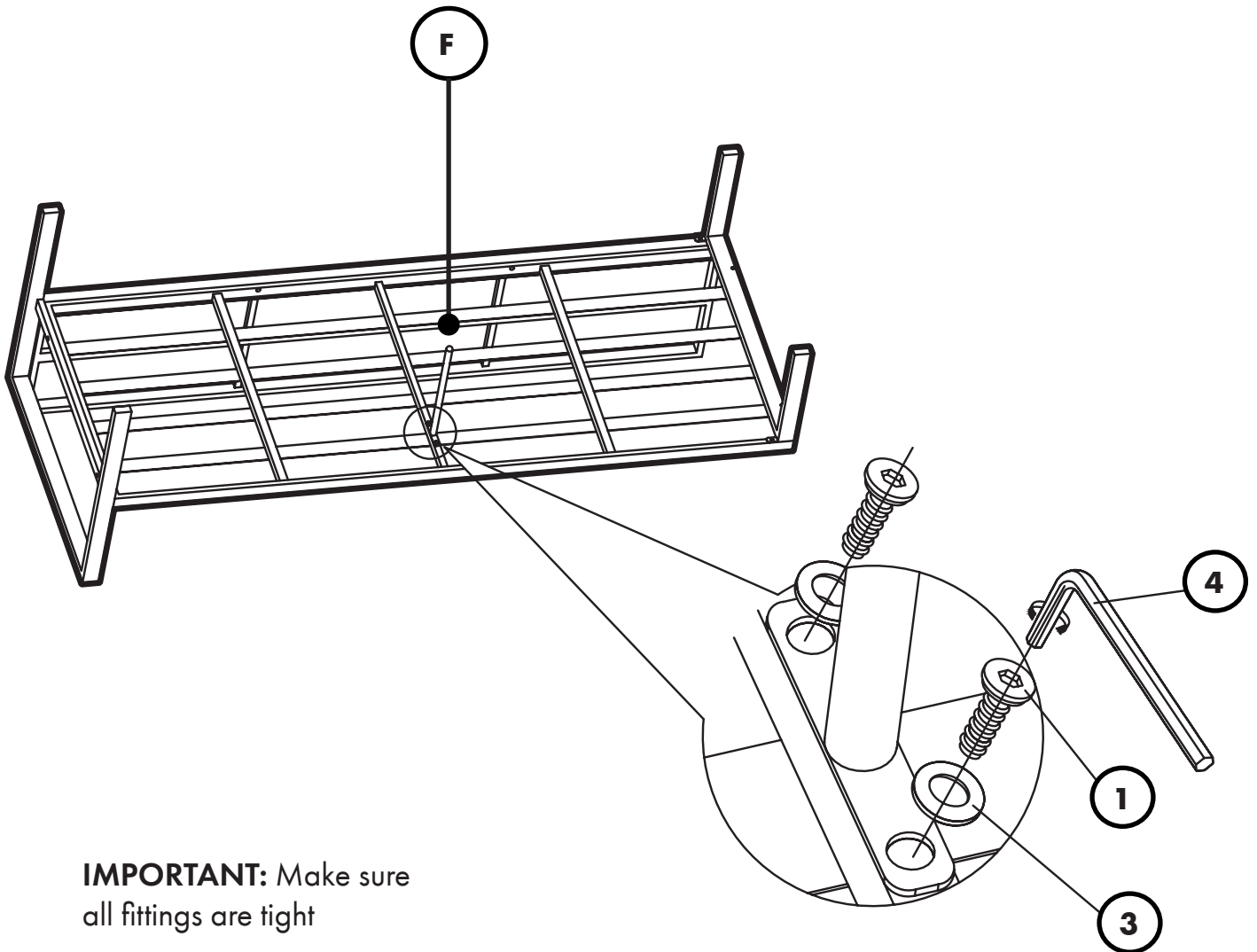
3 4x



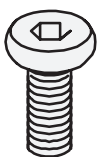
4 1x

Assembly

9



IMPORTANT: Make sure all fittings are tight



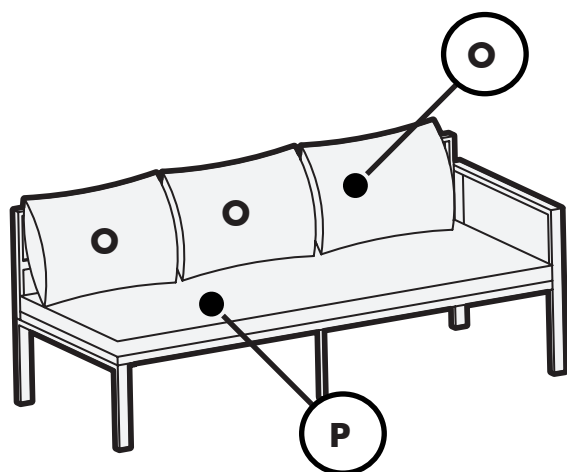
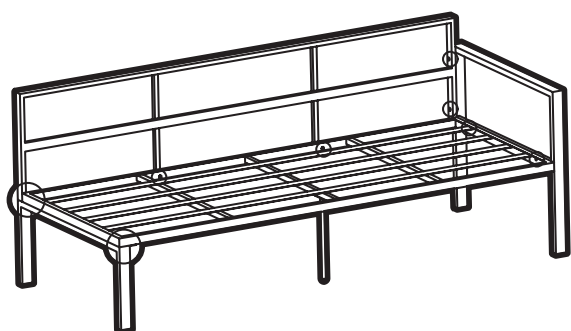
1 2x

3 2x

F 1x

Assembly

10



IMPORTANT: Make sure all fittings are tight



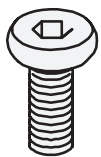
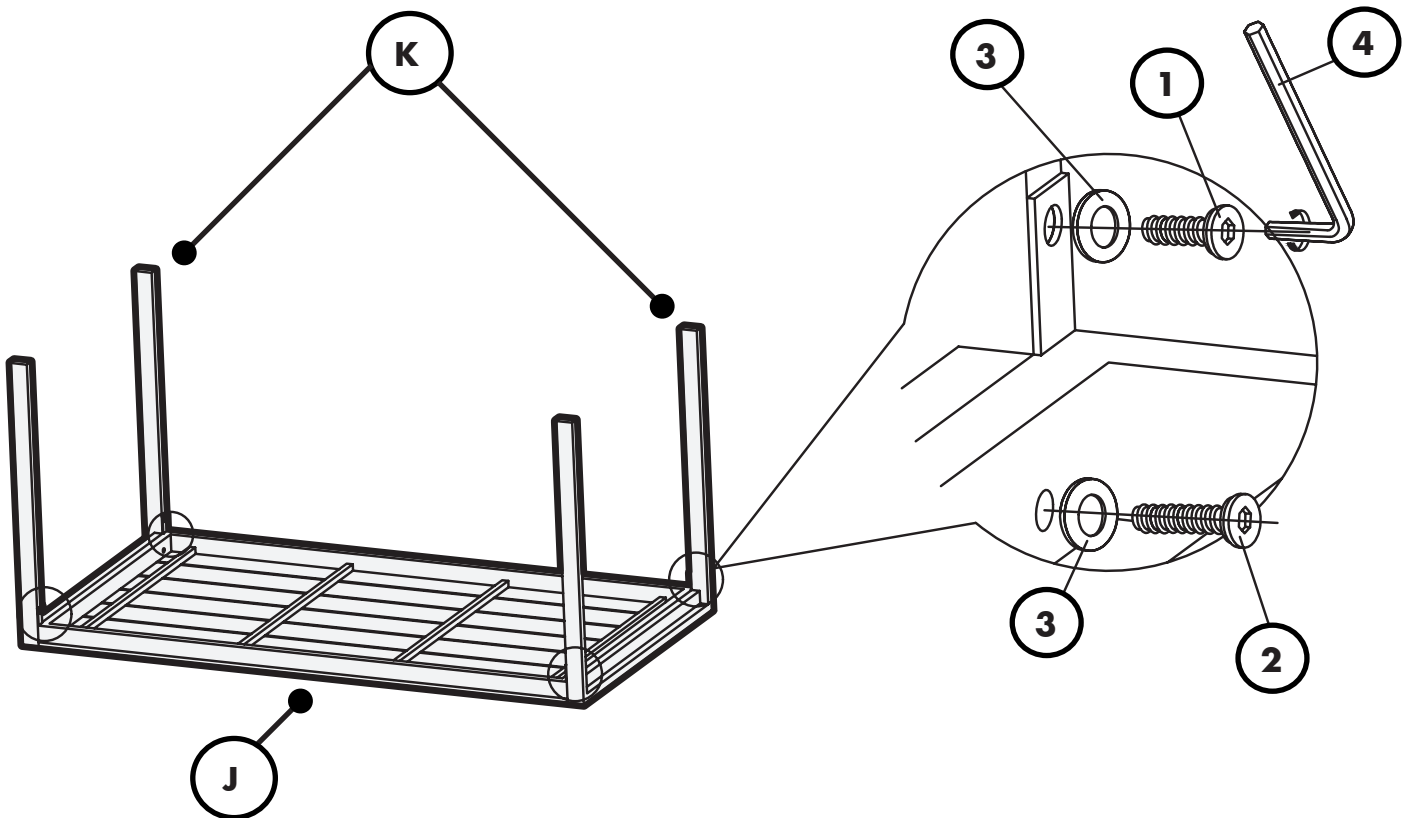
3x



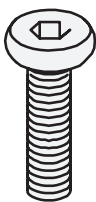
1x

Assembly

11



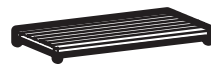
1 4x



2 4x



3 8x



J 1x

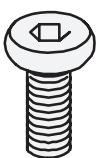
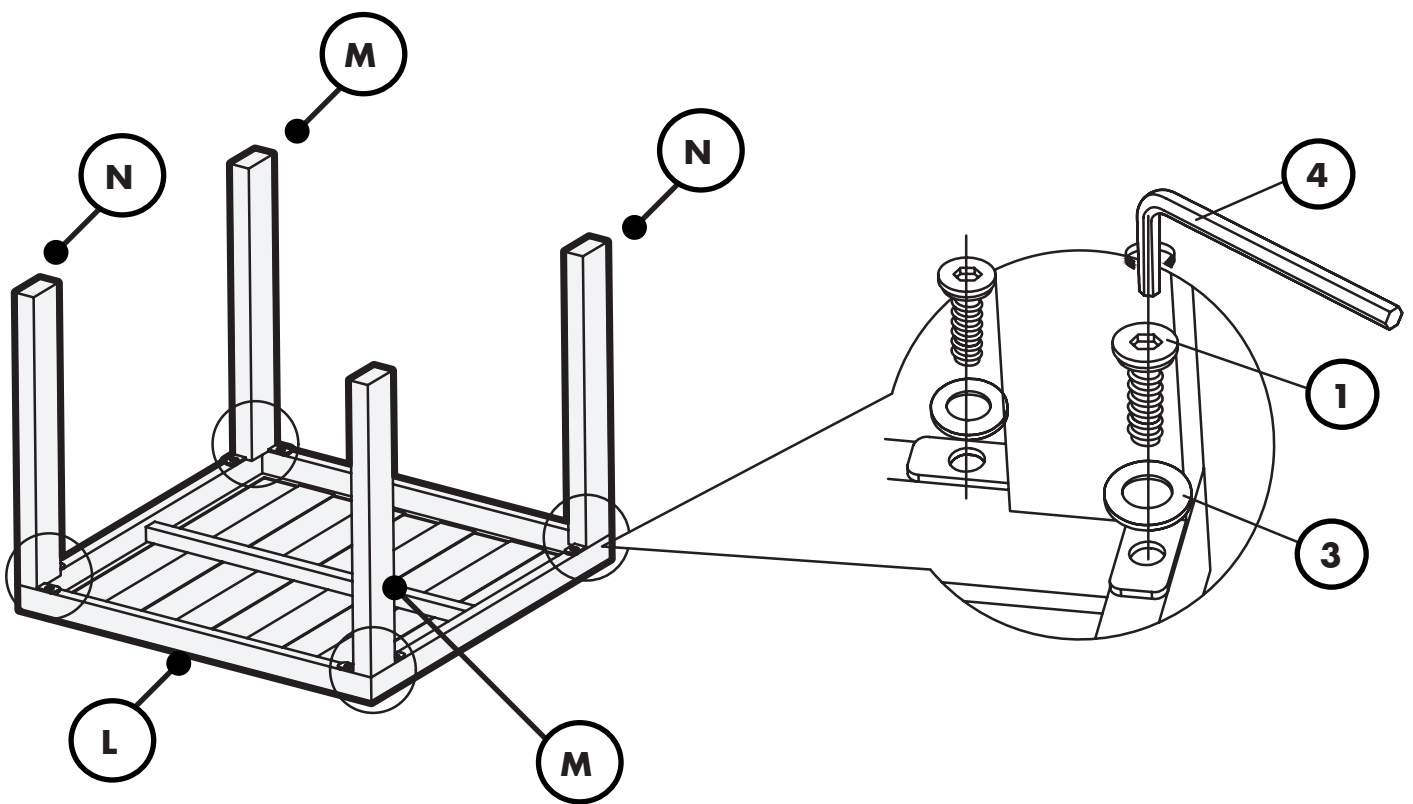


K 2x

Assembly

12

X2



1 8x

3 8x

L 1x

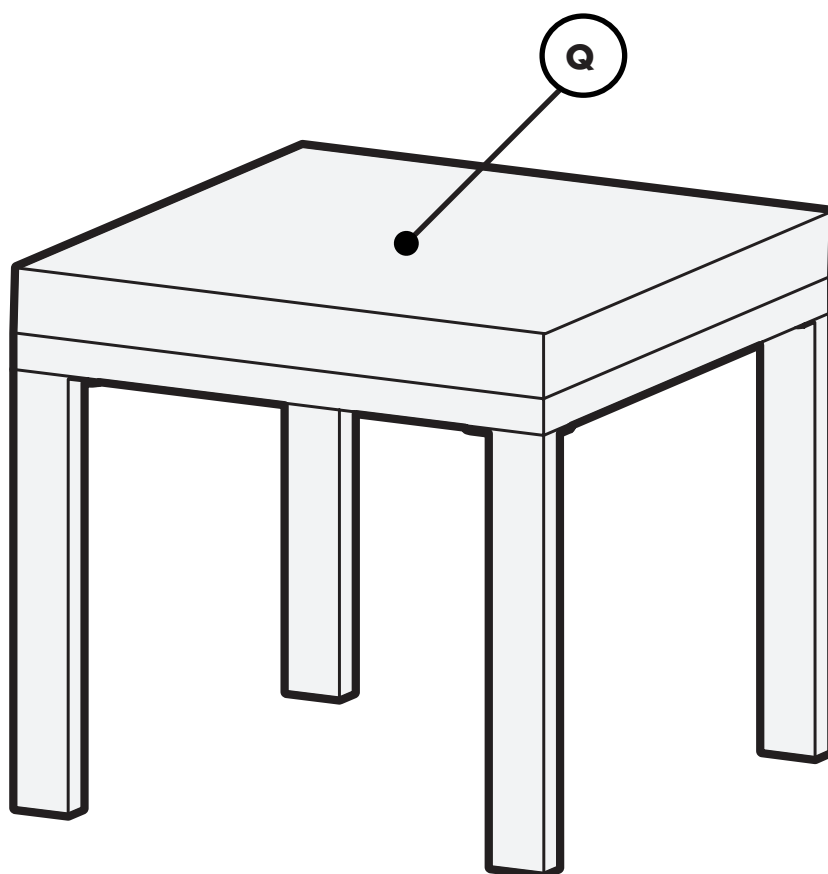
M 2x

N 2x

Assembly

13

X2



Q 1x

Information

Important Safety Notice

This product is not suitable for use by children or by individuals with **physical, sensory, or mental impairments** that may limit their ability to operate the equipment safely, **unless** they have been given supervision or instruction concerning the safe use of the product by a person responsible for their safety.

Improper use may result in serious injury. Always ensure the operator is capable of understanding and following all safety instructions provided in this manual.

Safety Tips

Tighten screws firmly, but avoid over-tightening.

Excessive tightening can damage the product and significantly reduce its holding power.

Use only for its intended purpose. Never stand, hang, or climb on the product.

Information

Customer Service

If you are having difficulty using this product and require support, please contact support@vonhaus.com

Warranty

To register your product and find out if you qualify for a free extended warranty please go to www.vonhaus.com/warranty

Please retain a proof of purchase receipt or statement as proof of the purchase date.

The warranty only applies if the product is used solely in the manner indicated in the warnings page of this manual, and all other instructions have been followed accurately.

Any abuse of the product or the manner in which it is used will invalidate the warranty.

Returns

Returned goods will not be accepted unless re-packaged in its original packaging and accompanied by a relevant and completed returns form. This does not affect your statutory rights.

No rights are given under this warranty to a person acquiring the appliance second-hand or for commercial or communal use.

Copyright

All material in this instruction manual are copyrighted by DOMU Brands.

Any unauthorised use may violate worldwide copyright, trademark, and other laws.

Thank You

Thank you for purchasing your product/appliance.

Should you require assistance with your purchase, please contact us at support@vonhaus.com

Vonhaus is a registered trademark of DOMU Brands Ltd.

Made in China for DOMU Brands Ltd.
Unit 30, Stakehill Industrial Estate
Middleton, Manchester, M24 2RW

EU Authorised Representative

Authorised Representative Service
77 Camden Street Lower
Dublin, D02 XE80
Ireland

Let's get started!

Visit our product hub for useful tips and tricks on getting the most out of your new product.

SCAN ME

