

# HUDSON SUN LOUNGER & CUSHION

## Product Instructions

Product No. 2500161

**vonhaus**

## Let's get started!

Visit our product hub for useful tips and tricks on getting the most out of your new product.

SCAN ME



110 kg  
capacity



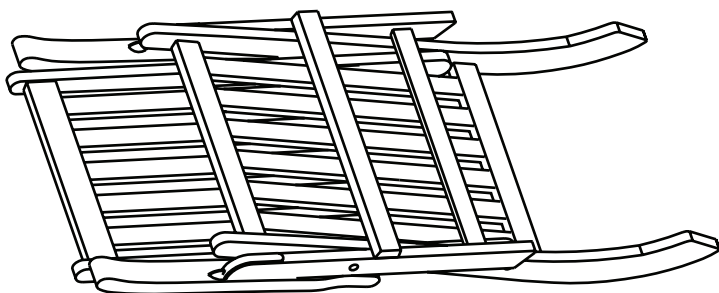
15 Mins

Need further help?  
[support@vonhaus.com](mailto:support@vonhaus.com)

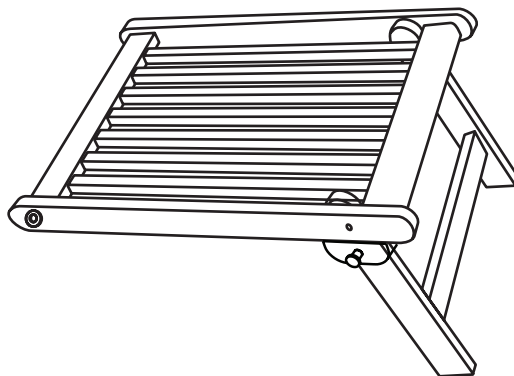
See our full range at  
[www.vonhaus.com](http://www.vonhaus.com)

# Components

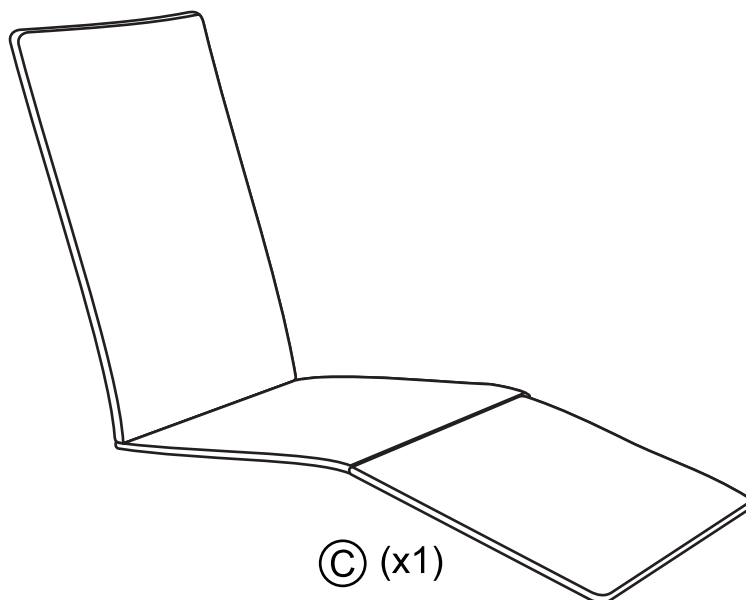
---



Ⓐ (x1)



Ⓑ (x1)



Ⓒ (x1)

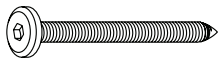
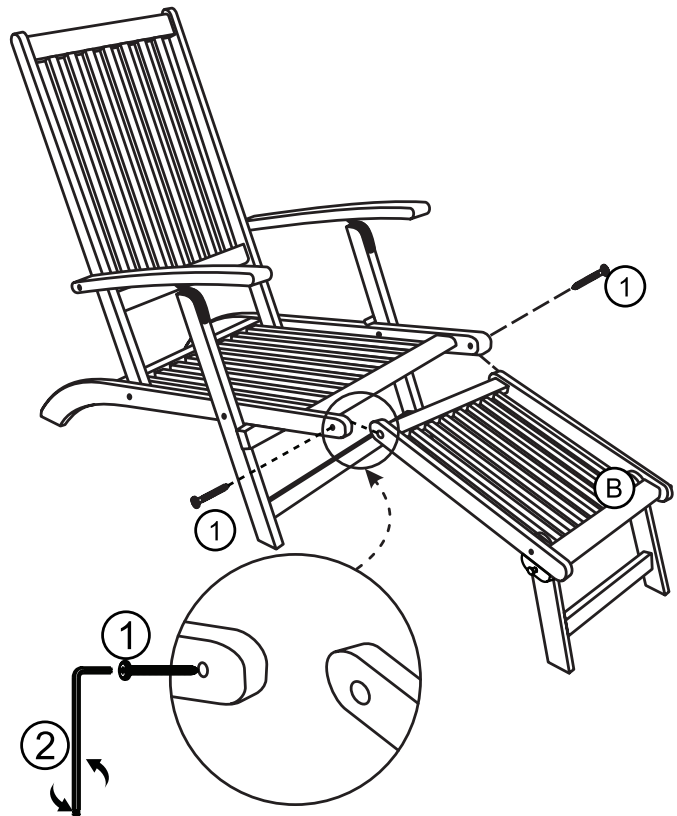
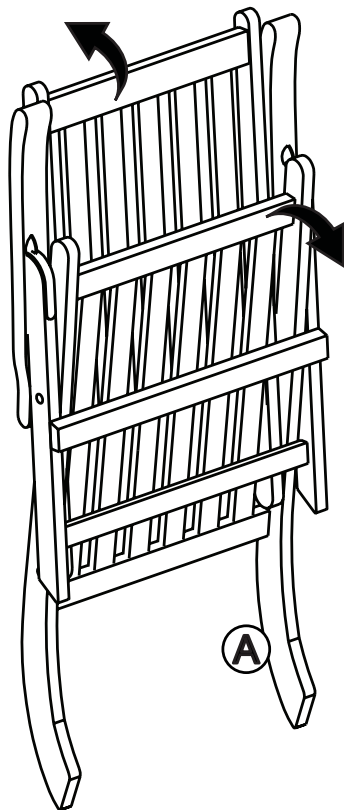


① M7x70mm (x2)



② (x1)

# Assembly

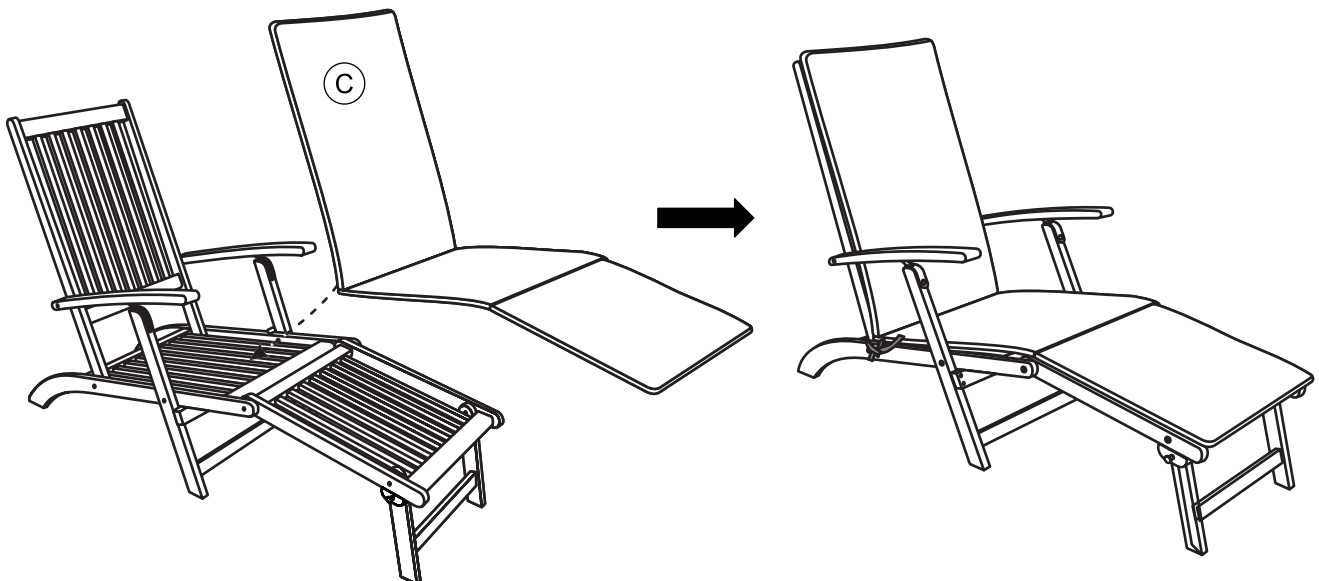


① M7x70mm (x2)



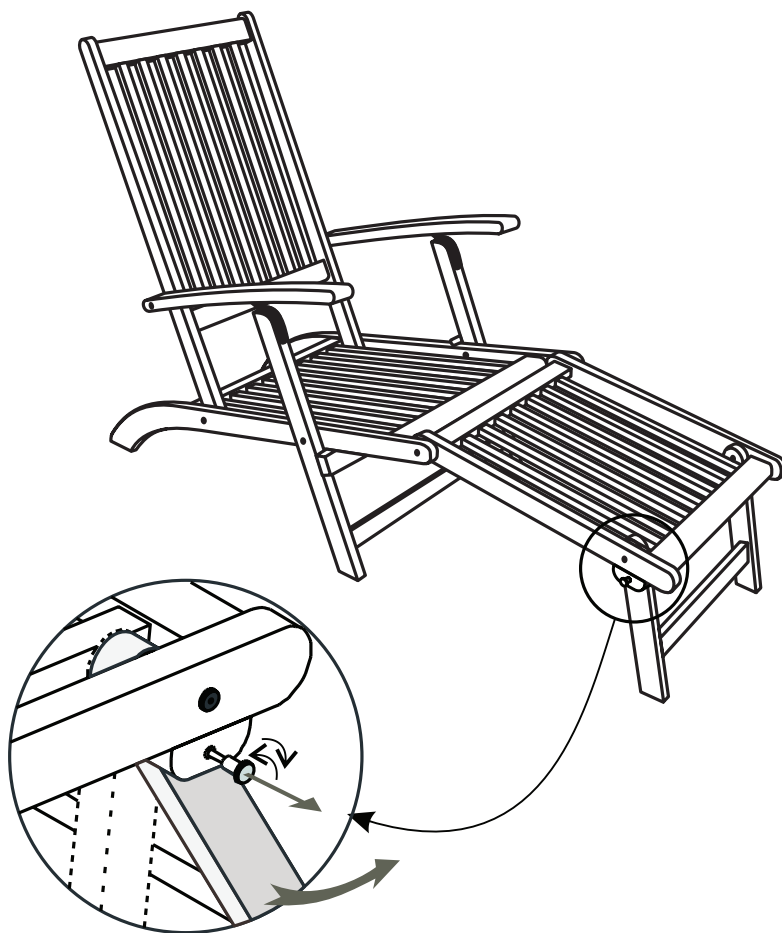
② (x1)

# Cushion



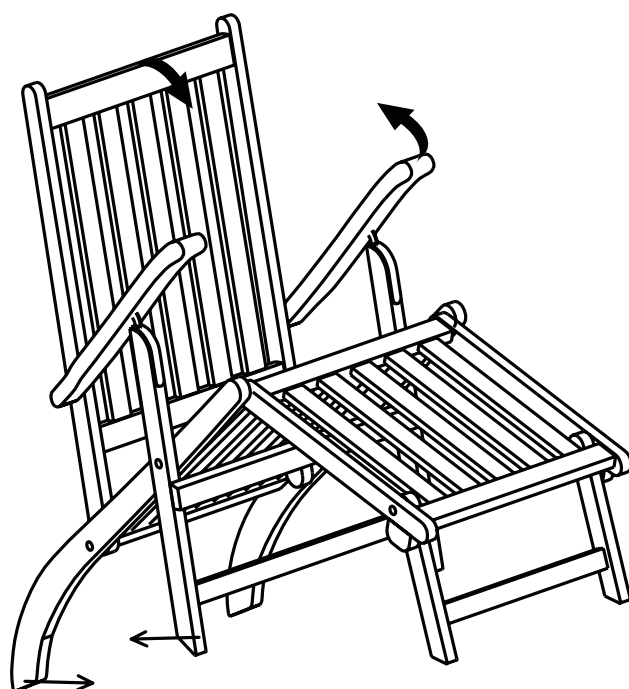
# Stool Adjustment

---



# Folding

---



# Information

---

## Important Safety Notice

This product is **not suitable for use by children** or by individuals with **physical, sensory, or mental impairments** that may limit their ability to operate the equipment safely, **unless** they have been given supervision or instruction concerning the safe use of the product by a person responsible for their safety.

If you are missing any components, contact our customer services department at [support@vonhaus.com](mailto:support@vonhaus.com)

DO NOT proceed with assembly if any components are missing.

## Maintenance

Clean the chair and cushions regularly with a damp cloth to remove dust and dirt.

Avoid placing the chair in direct sunlight to prevent fading of the fabric.

Periodically tighten any loose screws or bolts to ensure stability.

Spot clean the 100% polyester cushions with a gentle stain remover. Test any cleaning chemicals on the underside of the cushion first to ensure discoloration does not occur. Avoid using bleach.

Store the chair and cushions indoors when not in use to prolong their lifespan.

## Health & Safety

Ensure the chair is placed on a flat, stable surface.

Do not overload the chair.

Regularly check for any loose screws or parts and tighten them if necessary.

Keep the chair away from extreme temperatures and moisture.

Use the chair only for its intended purpose.

## Troubleshooting

**The chair is not reclining properly. How can I fix it?** Check if the reclining mechanism is blocked and ensure all screws are tightened.

**The cushions are flattening. What should I do?** Fluff the cushions regularly and consider adding extra padding.

**The woodwork is chipping. How can I fix it?** Sand the affected area and apply a matching finish.

**The chair is creaking. How can I stop it?** Apply wood glue to the joints and tighten the screws.

**The chair is uneven. How can I level it?** Use a level to check and adjust the legs as needed.

# Information

---

## Customer Service

If you are having difficulty using this product and require support, please contact [support@vonhaus.com](mailto:support@vonhaus.com)

## Warranty

To register your product and find out if you qualify for a free extended warranty please go to [www.vonhaus.com/warranty](http://www.vonhaus.com/warranty)

Please retain a proof of purchase receipt or statement as proof of the purchase date.

The warranty only applies if the product is used solely in the manner indicated in the warnings page of this manual, and all other instructions have been followed accurately.

Any abuse of the product or the manner in which it is used will invalidate the warranty.

## Returns

Returned goods will not be accepted unless re-packaged in its original packaging and accompanied by a relevant and completed returns form. This does not affect your statutory rights.

No rights are given under this warranty to a person acquiring the appliance second-hand or for commercial or communal use.

## Copyright

All material in this instruction manual are copyrighted by DOMU Brands.

Any unauthorised use may violate worldwide copyright, trademark, and other laws.

## Thank You

Thank you for purchasing your product/appliance.

Should you require assistance with your purchase, please contact us at [support@vonhaus.com](mailto:support@vonhaus.com)

Vonhaus is a registered trademark of DOMU Brands Ltd.

Made in China for DOMU Brands Ltd.  
Unit 30, Stakehill Industrial Estate  
Middleton, Manchester, M24 2RW

## EU Authorised Representative

Authorised Representative Service  
77 Camden Street Lower  
Dublin, D02 XE80  
Ireland

## Let's get started!

Visit our product hub for useful tips and tricks on getting the most out of your new product.

**SCAN ME**

