

120L FOLDING CART

Product Instructions

Product No. 2500308.1

vonhaus

Let's get started!

Visit our product hub for useful tips and tricks on getting the most out of your new product.

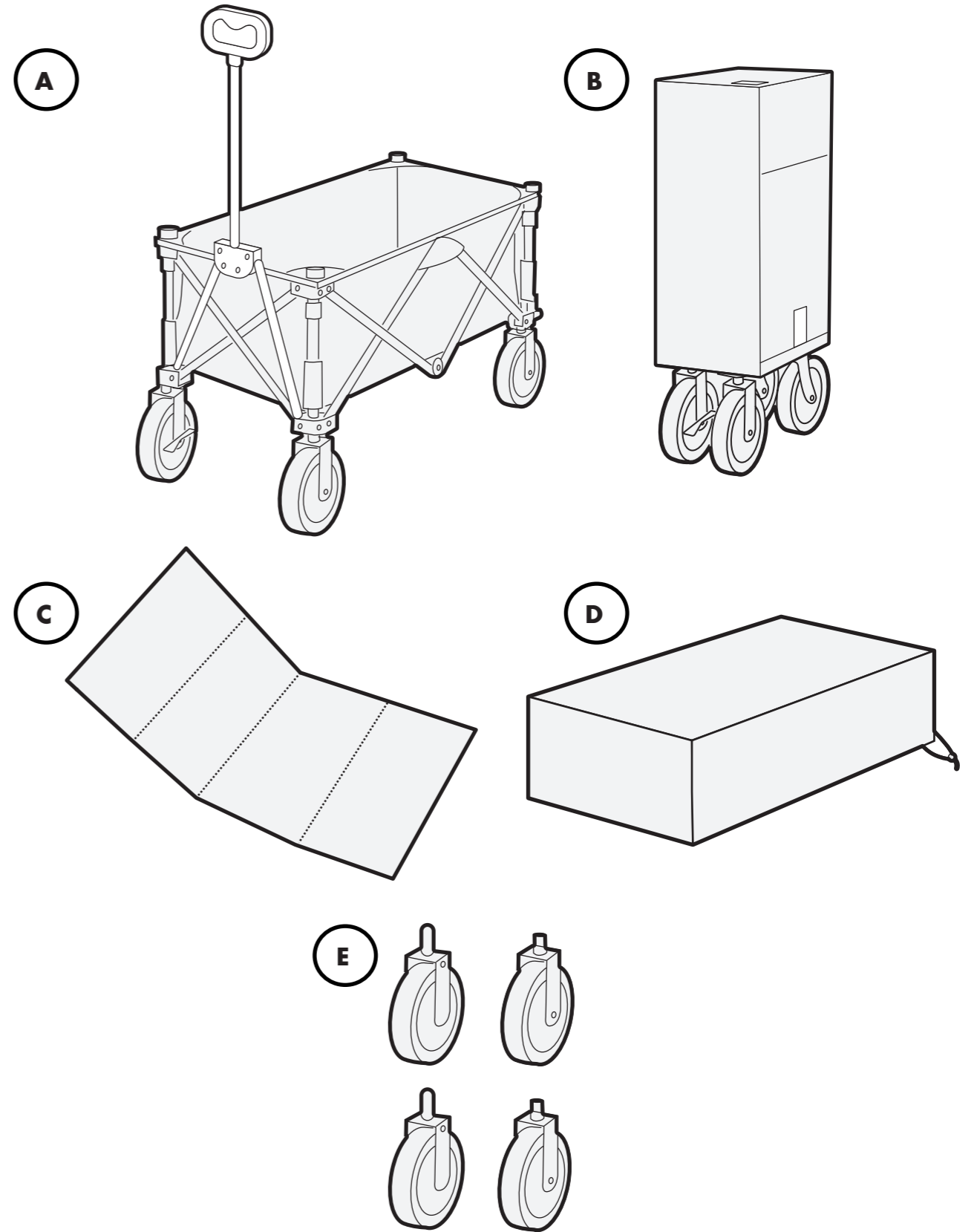
SCAN ME



Need further help?
support@vonhaus.com

See our full range at
www.vonhaus.com

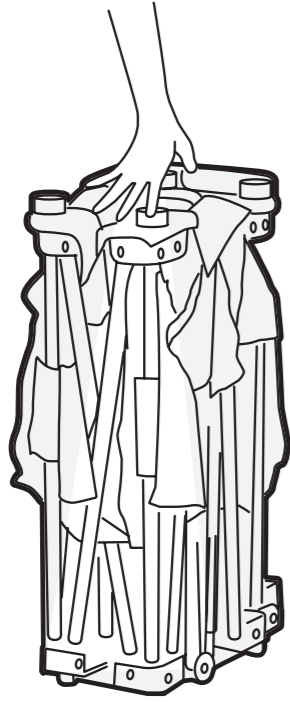
Product Diagram



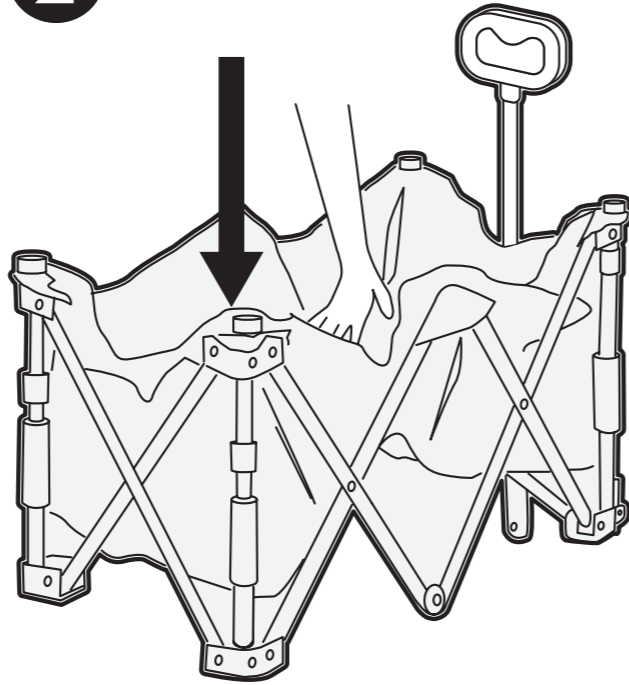
- A. Cart
- B. Storage Bag
- C. Pad
- D. Rain Cover
- E. Wheels

Unfolding

1



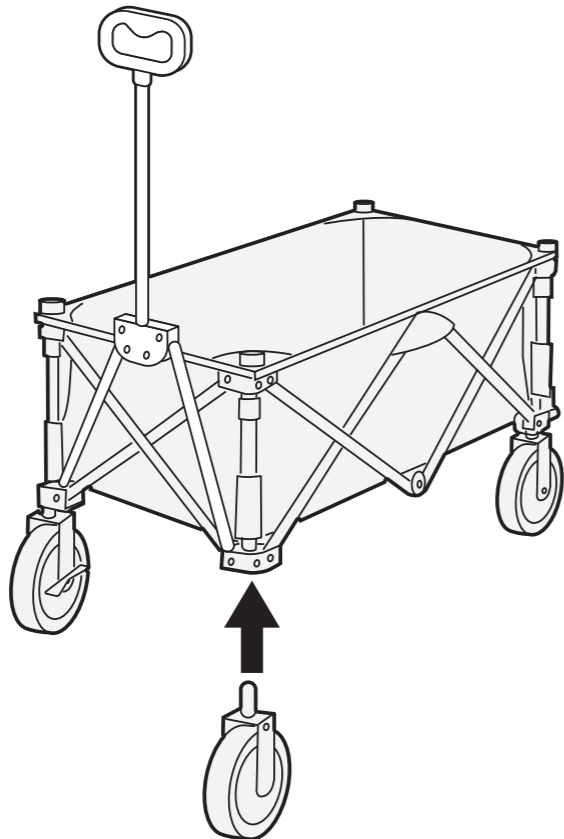
2



Attaching the Wheels

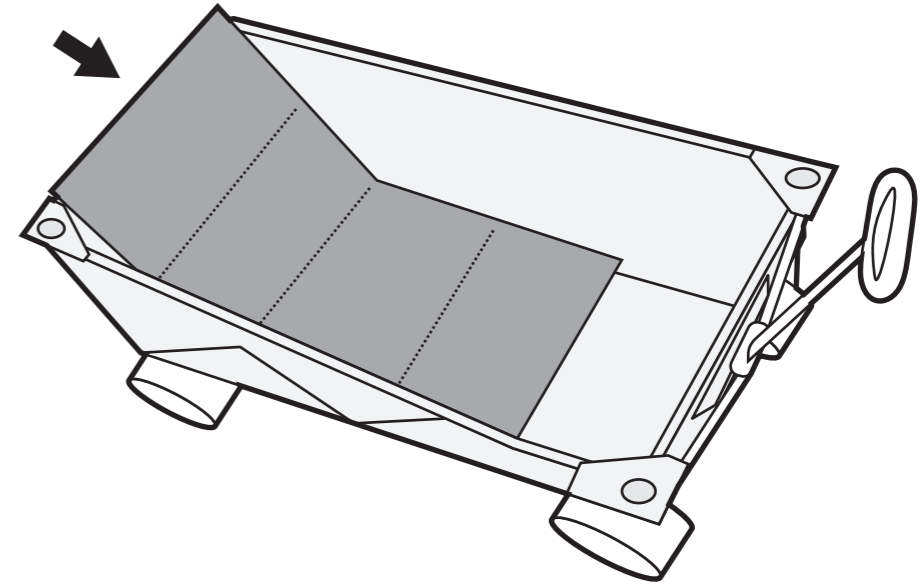


Important: The front wheels are the ones with brakes.



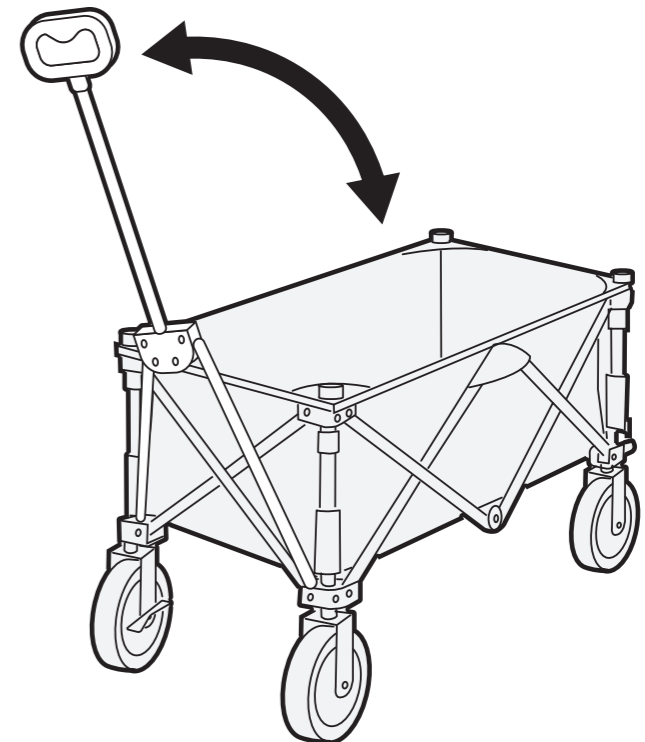
Insert the Pad

Lay the folding pad on the bottom of the wagon to complete the assembly.

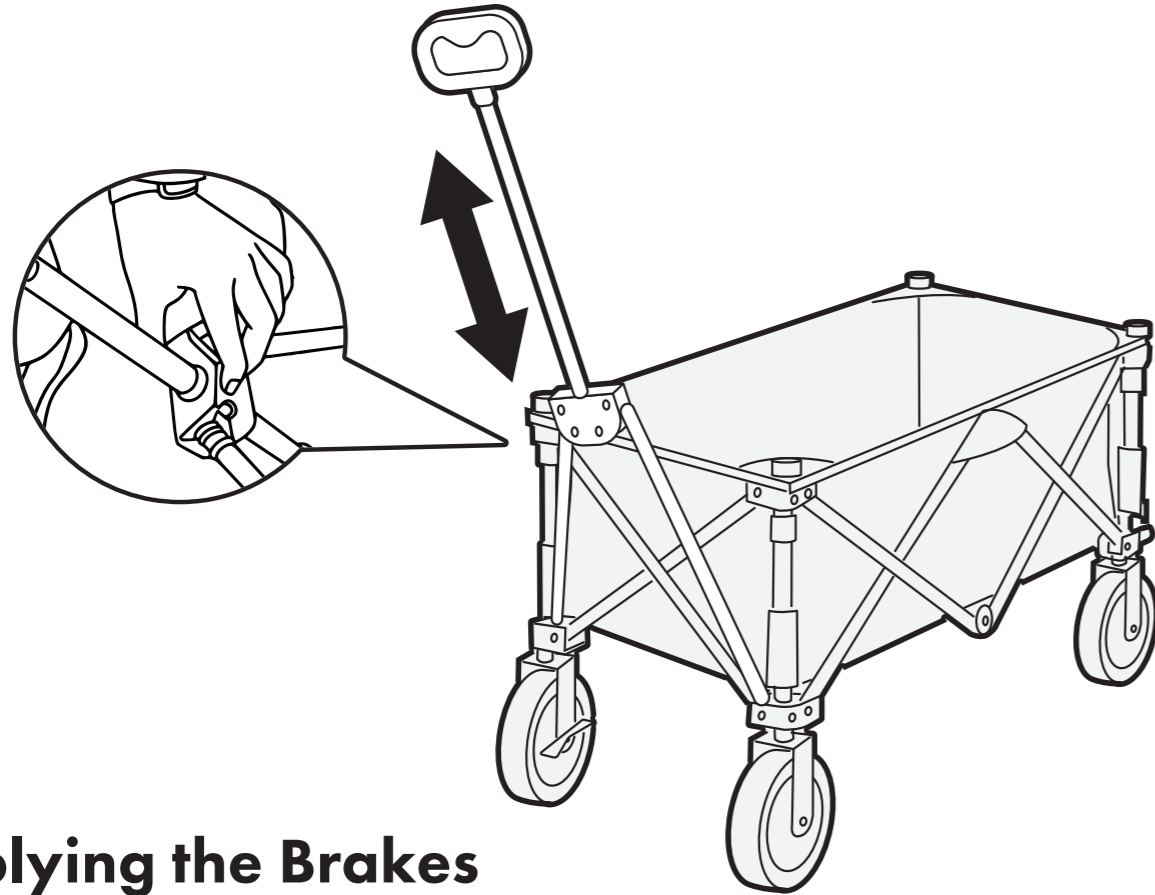


Adjusting the Handle

Pull the handle to uncouple it from the frame.

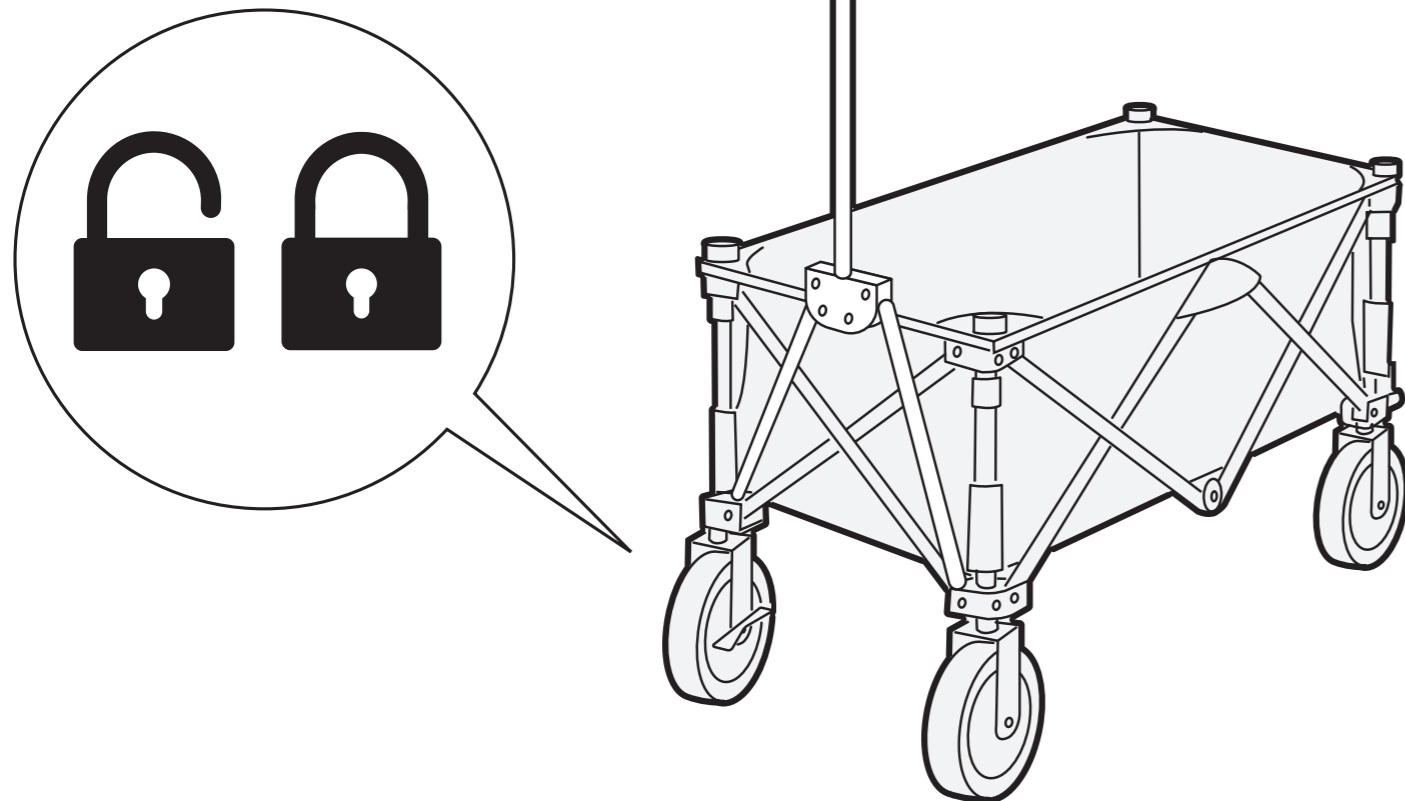


Adjusting the Handle Height



Applying the Brakes

! **Important:** Do not use the brakes on slopes greater than 5 degrees.



Information

Important Safety Notice

This product is **not suitable for use by children** or by individuals with **physical, sensory, or mental impairments** that may limit their ability to operate the equipment safely, **unless** they have been given supervision or instruction concerning the safe use of the product by a person responsible for their safety.

Before First Use

Locate the product in a suitable area where it will not create an obstruction. Locate away from sources of combustion.

General Safety

Place on solid and even ground. Only use in an upright stable position.

Do not overload the product as this may result in damage to the product or personal injury.

Cleaning & Maintenance

Do not clean the product with any abrasive cloths or chemicals. Solvents or detergents can cause damage to the surface.

To clean, sponge down with warm water, a soft cloth and mild detergent.

If you are missing any components, contact our customer services department at support@vonhaus.com

DO NOT proceed with assembly if any components are missing.

Usage & Safety



Do not climb on



Do not jump on



100kg
Capacity



Do not use to carry children
or animals



Do not use to carry
flammable or abrasive
chemicals



Do not modify



Distribute load evenly

Information

Customer Service

If you are having difficulty using this product and require support, please contact support@vonhaus.com

Warranty

To register your product and find out if you qualify for a free extended warranty please go to www.vonhaus.com/warranty

Please retain a proof of purchase receipt or statement as proof of the purchase date.

The warranty only applies if the product is used solely in the manner indicated in the warnings page of this manual, and all other instructions have been followed accurately.

Any abuse of the product or the manner in which it is used will invalidate the warranty.

Returns

Returned goods will not be accepted unless re-packaged in its original packaging and accompanied by a relevant and completed returns form. This does not affect your statutory rights.

No rights are given under this warranty to a person acquiring the appliance second-hand or for commercial or communal use.

Copyright

All material in this instruction manual are copyrighted by DOMU Brands.

Any unauthorised use may violate worldwide copyright, trademark, and other laws.

Thank You

Thank you for purchasing your product/appliance.

Should you require assistance with your purchase, please contact us at support@vonhaus.com

Vonhaus is a registered trademark of DOMU Brands Ltd.

Made in China for DOMU Brands Ltd.
Unit 30, Stakehill Industrial Estate
Middleton, Manchester, M24 2RW

EU Authorised Representative

Authorised Representative Service
77 Camden Street Lower
Dublin, D02 XE80
Ireland

Let's get started!

Visit our product hub for useful tips and tricks on getting the most out of your new product.

SCAN ME

