

# 2500557



Please read all instructions carefully before use and retain for future reference.  
Veuillez lire attentivement ces instructions avant utilisation et conservez-les pour pouvoir les consulter à l'avenir.  
Bitte lesen Sie die Anleitung sorgfältig und bewahren Sie sie als Referenz auf.  
Leed todas las instrucciones detenidamente antes de usar y retened para futuras consultas.  
Si prega di leggere attentamente tutte le istruzioni prima dell'uso e conservarle per una futura consultazione.



**WARNING** Maintain a minimum of **60 inches / 1.5 metres** between the gas cylinder and firepit.  
**AVERTISSEMENT** Maintenez un minimum de 60 pouces / 1,5 mètre entre la bouteille de gaz et le foyer  
**WARNUNG** Halten Sie zwischen der Gasflasche und der Feuerstelle mindestens 1,5 m Abstand  
**ADVERTENCIA** Mantenga un mínimo de 60 pulgadas / 1,5 metros entre el cilindro de gas y la hoguera.  
**AVVERTENZA** Mantenere una distanza minima di 60 pollici / 1,5 metri tra la bombola del gas e il firepit



Always exercise caution around hot surfaces  
Faites toujours preuve de prudence autour des surfaces chaudes  
Seien Sie immer vorsichtig bei heißen Oberflächen  
Tenga siempre cuidado con las superficies calientes  
Prestare sempre attenzione sulle superfici calde



Relocation. Never drag the item. This may cause damage to fixtures and make the item unstable. Dissassemble where appropriate.  
Déplacement. Ne tirez jamais l'objet. Ceci pourrait endommager le montage et rendre l'objet instable. Désassemblez lorsque nécessaire.  
Ortwechsel. Niemals den Gegenstand ziehen. Dies kann die Befestigungsmittel beschädigen und den Gegenstand instabil machen. Gegebenenfalls zerlegen.  
Reubicación. Nunca arrastre el artículo. Esto puede causar daños a los accesorios y hacer que el artículo sea inestable. Desmonte cuando proceda.  
Ricollocazione. Non trascinare mai l'oggetto. Questo potrebbe arrecare danni e rendere l'oggetto instabile. Se necessario, smontare.



10min

Estimated assembly time  
Temps d'assemblage estimé  
Geschätzte Montagezeit  
Tiempo Estimado de Ensamblaje  
Tempo stimato per il montaggio



**WARNING! NEVER** leave a fire unattended and keep children and pets well away when ignited.  
**ATTENTION!** Ne laissez **JAMAIS** un feu sans surveillance et gardez les enfants et les animaux domestiques à l'écart lorsqu'ils sont enflammés.  
**WARNUNG! NIEMALS** ein Feuer unbeaufsichtigt lassen und Kinder und Haustiere fernhalten, wenn sie entzündet werden.  
**¡ADVERTENCIA! NUNCA** deje un fuego desatendido y mantenga a los niños y mascotas alejados cuando se encienda.  
**AVVERTIMENTO!** Non lasciare MAI il fuoco incustodito e tenere lontani i bambini e gli animali domestici quando vengono accesi.



Do NOT burn solid fuels such as: wood, charcoal briquettes, lump charcoal, driftwood, rubbish, leaves, paper, cardboard, plywood or any painted material.  
Ne brûlez PAS les combustibles solides tels que : bois, briquettes de charbon de bois, charbon de bois grumeleux, bois flotté, déchets, feuilles, papier, carton, contreplaqué ou tout autre matériau peint.  
Verbrennen Sie KEINE festen Brennstoffe wie: Holz, Holzkohlebriketts, Klumpenkohle, Treibholz, Müll, Blätter, Papier, Pappe, Sperrholz oder jegliches lackiertes Material.  
NO quem combustibles sólidos tales como: madera, briquetas de carbón, carbón, madera a la deriva, basura, hojas, papel, cartón, madera contrachapada o cualquier material pintado.  
NON bruciare combustibili solidi come: legno, mattonelle di carbone, carbone grumoso, legna, spazzatura, foglie, carta, cartone, compensato o qualsiasi materiale verniciato.



**Caution!** Heavy item. Take care when relocating  
**Mise en garde!** Objet lourd. Faites attention lorsque vous déménagez.  
**Vorsicht!** Schwere Gegenstand. Seien Sie vorsichtig beim Umzug.  
**¡Precaución!** Objeto pesado. Tenga cuidado al mudarse. **Attenzione!** Oggetto pesante. Fai attenzione quando ti trasferisci



5kg gas cylinder recommended.  
Bouteille de gaz de 5 kg recommandée.  
5kg Gasflasche empfohlen.  
5kg cilindro de gas recomendado.  
5kg cilindro di gas consigliato.



Turn off the gas supply at the gas cylinder after use.  
Fermer l'alimentation en gaz de la bouteille de gaz après utilisation.  
Schalten Sie nach Gebrauch die Gaszufuhr an der Gasflasche aus.  
Cierre el suministro de gas en el cilindro de gas después de su uso.  
Spegner l'alimentazione del gas nella bombola del gas dopo l'uso.



Do not use in adverse weather or windy conditions  
Ne pas utiliser par temps défavorable ou venteux  
Nicht bei widrigen Wetterbedingungen oder windigen Bedingungen anwenden  
No usar en condiciones climáticas adversas o ventosas  
Non utilizzare in condizioni meteorologiche avverse o ventose



This product is for decorative purposes only. This is not intended as a cooking tool.  
Ce produit est à des fins décoratives seulement. Ce n'est pas destiné comme un outil de cuisson.  
Dieses Produkt ist nur für dekorative Zwecke bestimmt. Dies ist nicht als Kochwerkzeug gedacht.  
Este producto es sólo para fines decorativos. Esto no está pensado como una herramienta de cocción.  
Questo prodotto è solo per scopi decorativi. Questo non è inteso come uno strumento di cottura.



## EN

**INTENDED USE WARNING!** The product is for outdoor use only. **DO NOT** use indoors. This product should **NOT** be used in motor homes, tents, sheds or any similar locations where ventilation is limited. Use only in an uncovered, well ventilated area. Position on a suitable heat-resistant surface such as a concrete patio slab. This product is not intended as a climbing structure and it is not a toy. Children should be supervised to ensure that they do not play with the product. Keep children and pets away from the product at all times when cooling. Flammable materials and heat-sensitive items should be kept away from the product during use and when cooling. Keep loose fitting clothing away and long hair tied back. Do not overload the product.

### IMPORTANT SAFETY INFORMATION

**IMPORTANT:** Pay close attention to all warnings and instructions provided with any lighting equipment/fuels. Always keep a fire extinguisher, garden hose, or bucket of sand nearby to smother the fire if necessary.

### NEVER SMOKE NEAR A GAS CYLINDER

This product is designed for outdoor use, well away from any flammable material. Ensure that any item located above the appliance cannot obstruct it and that both sides and the front of the appliance are at least 1 metre from any item that could impede its operation. Ensure that the appliance's ventilation holes are not obstructed. The product should be placed on a flat, stable surface. The product should be protected from direct draughts and bad weather (rain, etc.).

### WARNING! DANGER OF CARBON MONOXIDE POISONING.

Do not light this product or let it smoulder or cool down in confined spaces. Do not use under awnings, parasols or gazebos. Never handle charcoal after lighting. Always use the Poker provided. Always use the Mesh Guard when a fire is lit.

**WARNING!** The product will become extremely hot during use and cannot be moved. To avoid injury, be aware that the resting surface directly underneath the product will become very hot during operation and will remain hot for some time afterwards. Keep feet, other limbs and all property/items well away from this area.

To avoid burns, do not touch metal parts of the product until it has completely cooled. Handles will become very hot and unsafe to touch during use, unless you are wearing rated protective gear (pot holders, thermal proof mittens, hot pad etc). Standard household oven gloves will NOT offer sufficient protection and should not be used. Hot embers may be emitted during use. Never leave a burning fire unattended. Extinguish immediately after use. Do not splash water over a fire to extinguish as the resulting smoke can cause eye/respiratory irritation. Carefully distance using a suitable extinguishing medium, keeping sufficient distance for safety. The product may appear cool but may still be retaining dangerous heat. Exercise extreme caution when handling. Ensure the coals have completely burnt before removing the ash. Do not dump ashes where they could start a fire. Always dispose of ashes in a proper receptacle. The product should only be moved and stored when it has completely cooled and all flammable materials have been extinguished and disposed of safely. Store away ONLY when the product is completely extinguished and cool. This may take some time after use.

**BEFORE FIRST USE** Follow each step of the assembly as outlined by the steps in this Instruction Manual. Assemble close to the products intended position. Locate the product in a suitable area where it will not create an obstruction. Locate away from sources of combustion.

**GENERAL SAFETY** The assembly pack contains small parts which can pose a choking hazard to children and pets. Place on solid and even ground. Only use in an upright stable position. Do not overload the product as this may result in damage to the product or personal injury.

### LPG GAS WARNINGS

LP gas is flammable and hazardous if handled improperly. Propane Characteristics: Flammable, explosive under pressure, heavier than air, and settles in pools in low areas. In its natural state, propane has no odour. For your safety, an odourant is typically added. Contact with propane could burn the skin. Propane is extremely flammable and hazardous if handled improperly.

### LPG GAS WARNINGS

Cylinders must be stored outdoors in a well-ventilated area out of reach of children. Disconnected cylinders must have threaded valve plugs tightly installed and must not be in a building, garage or any other enclosed area. Never use a propane cylinder with a damaged body, valve, collar or footing. Dented or rusted propane cylinders may be hazardous and should be checked by your propane gas supplier. LP gas tank must be arranged for vapor withdrawal. The LP gas tank must have a tank collar to protect the tank valve. Never use an LP gas tank with a damaged body, valve, collar, or footing. Dented or rusted LP gas tanks may be hazardous and should be checked by your LP gas supplier prior to use. The LP gas tank should not be dropped or handled roughly. Tanks must be stored outdoors out of the reach of children. Do not store in a building, garage, or any other enclosed area. Never store your LP gas tank where temperatures can reach over 125°F/50 °C. Do not store the LP gas cylinder in direct sunlight or near a source of heat or combustion. Never keep a filled LP gas tank in a hot car. Heat will cause the gas pressure to increase, which may open the relief valve and allow gas to escape. Place a dust cap on valve outlet whenever the LP gas tank is not in use. Only install the type of dust cap on the LP gas tank valve outlet that is provided with the LP gas tank valve. Other types of caps or plugs may result in leakage of propane. Do not store a spare LP gas cylinder under or near this appliance. Never fill the LP gas cylinder beyond 80% full. If the information is not followed exactly, a fire causing death or serious injury may occur. LP gas cylinders should be filled only by a certified LP gas dealer. The pressure regulator is set for the gas pressure of the local state. Regulator outlet pressure is in line with the gas pressure of the local state. Never attempt to attach this appliance to the self-contained LP gas system of a camper trailer, motor home or house. Always use the pressure regulator and hose assembly provided with the appliance to connect to a LP gas cylinder. Never connect to an unregulated LP gas supply. Hand turn the manual gas control valve. Never use tools. If the valve will not turn by hand, do not try to repair it. Call a certified gas technician. The use of force or any self attempted repair may result in a fire or explosion. Use only the type of gas and the type of LPG cylinder specified by the manufacturer. Appliance is fitted with gas regulator, flexible gas rubber pipe and clamps. Appliance must use an approved gas regulator (approved for a working temperature not lower than 125°F/50 °C) When a replacement is necessary, you have to purchase a suitable gas regulator, flexible gas rubber pipe and clamps from your local gas dealer; gas regulator should be replaced before 10 years use. Never use a damaged gas regulator. Never connect this appliance to an unregulated LPG source (gas regulator is mandatory to be used). When the appliance is not in use, turn the LPG cylinder in "OFF" position.

Always perform a leakage test on gas connections whenever a LPG cylinder is connected. If bubbles form in Flexible gas rubber pipe must be located in the LPG compartment carefully, avoiding any twisting. Never use a damaged gas regulator. Always perform a leakage test on gas connections whenever a LPG cylinder is connected. If bubbles form in the leakage test solution, do not use it. Never use a flame to test for leakages. It is strictly forbidden and dangerous. Always change the gas cylinder in an amply ventilated area, away from any ignition source.

### REGULATOR & HOSE

These items are not supplied with the Fire Pit but are available separately. Use only regulators and hoses intended for use with LPG at the pressures indicated above. The service life of a regulator is estimated at 10 years. It is recommended that you change the regulator 10 years after its date of manufacture. The hose should be changed when national regulations require. It is recommended that you change the hose 5 years after its date of manufacture. Using an unsuitable regulator or hose is dangerous. Ensure that the products that you have are suitable for use with your Fire Pit. The hose used must comply with the standards in force in the country of use. The hose must be a minimum of 0.6 metres long and a maximum of 1.5 metres. A damaged regulator or hose must be replaced. Ensure that the hose is not blocked, kinked or in contact with any part of the barbecue other than the connection point.

### LEAKAGE TESTING

This appliance needs to be periodically checked for leakages and an immediate check is required if the smell of gas is detected. Make a soap solution using 1 part of liquid dish-washing soap to 3 parts water. The soap solution can be applied with a soap bottle, brush, or rag to the leakage tested points shown in the figure beside. The valve of the LPG cylinder should be in the "OFF" position at this point of the leakage test. Once the soapy solution is applied to the gas connections, the valve of the LPG cylinder needs to be turned to the "ON" position. Soap bubbles will begin to form in the soapy solution if any leakage is present. In the event of gas leakage, the appliance must not be used. The gas supply must be shut-off and the appliance must be investigated and rectified before it is used again. Tighten any leaking fittings, then turn on gas supply and recheck. If necessary, substitute gasket (according to EN 549 Class B2) or material used to guarantee tightness (according to EN 751-1 Class I).

**CLEANING & MAINTENANCE** Do not clean the product with any abrasive cloths or chemicals. Solvents or detergents can cause damage to the surface. Periodically check and re-tighten fittings where necessary. To clean, sponge down with warm water, a soft cloth and mild detergent.

Airflow must be unobstructed. Keep controls, burner and circulation air passageways clean. Signs of possible blockage include: Gas odour with extreme yellow tipping of flame / Appliance glow is excessively uneven / Appliance makes popping noises. Spiders and insects can nest in burner or orifices. This can cause damage to the appliance and render it unsafe for use. Clean burner holes by using a heavy duty pipe cleaner. Compressed air may help clear away smaller particles. Carbon deposits may create a fire hazard. If any carbon deposits develop, clean dome and engine with warm soapy water. After the burner and lava rocks are completely cooled down, remove it from the bowl and use a soft brush to get rid of the mild stains, loose dirt and soil. Wipe with a soft cloth. Clean the bowl and afterward put lava rocks again in proper position.

### STORAGE AFTER USE

Store the appliance indoors only if the cylinder has been disconnected and removed. If the appliance is not used for a long period, it should be stored under the Weather Protector supplied in a dry, dust-free location.

Ensure you have all the pieces listed. If you are missing any components, contact our customer services department at [support@domu.co.uk](mailto:support@domu.co.uk)

DO NOT proceed with assembly if any components are missing.

### TECHNICAL SPECIFICATION

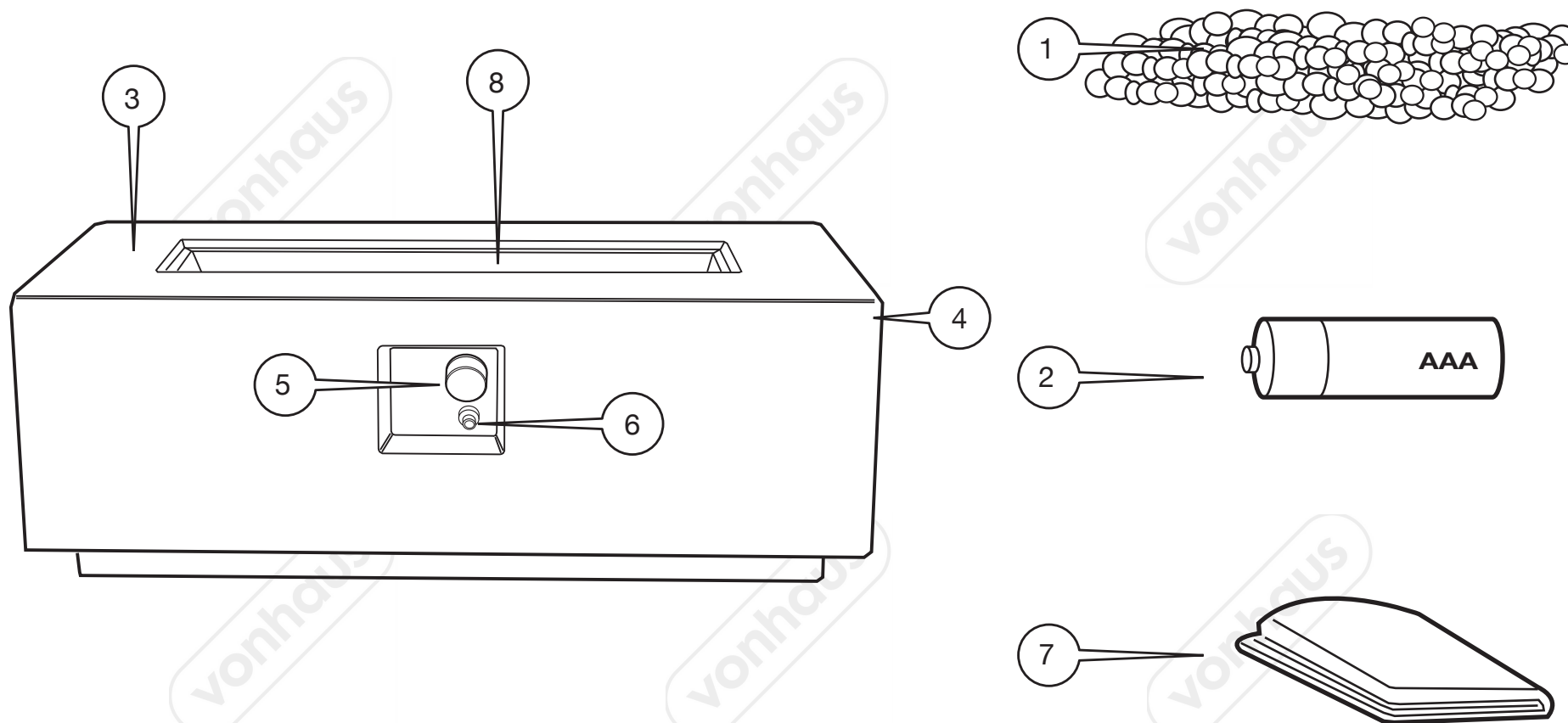
Types of gas	Butane Gas
Gas Category	I3+(28-30/37)
Heat input (Hs)	13 kW(946.4g/h)
Gas pressure at 37mbar	G30 at 28-30mbar, G31
Injector diameter (Ø)	1.84 mm
Gas regulator	Certified regulator according to EN12864 (flow rate: max. 1.5kg/h)
Gas hose	Certified gas hose according to applicable EN-standard (max3.0m) Standard gas cylinder
Gas cylinder (recommend to use 5kg)	Standard gas cylinder

Types of gas	LPG Gas mixture
Gas Category	I3B/P(30)
Heat input (Hs)	13 kW(946.4g/h)
Gas pressure at 37mbar	G30/G31 at 30mbar
Injector diameter (Ø)	1.84 mm
Gas regulator	Certified regulator according to EN12864 (flow rate: max. 1.5kg/h)
Gas hose	Certified gas hose according to applicable EN-standard (max3.0m) Standard gas cylinder
Gas cylinder (recommend to use 5kg)	Standard gas cylinder

Types of gas	LPG Gas mixture
Gas Category	I3B/P(37)
Heat input (Hs)	13 kW(946.4g/h)
Gas pressure at 37mbar	G30/G31 at 37mbar
Injector diameter (Ø)	1.74 mm
Gas regulator	Certified regulator according to EN12864 (flow rate: max. 1.5kg/h)
Gas hose	Certified gas hose according to applicable EN-standard (max3.0m) Standard gas cylinder
Gas cylinder (recommend to use 5kg)	Standard gas cylinder

Types of gas	LPG Gas mixture
Gas Category	I3B/P(50)
Heat input (Hs)	13 kW(946.4g/h)
Gas pressure at 50mbar	G30/G31 at 50mbar
Injector diameter (Ø)	1.59 mm
Gas regulator	Certified regulator according to EN12864 (flow rate: max. 1.5kg/h)
Gas hose	Certified gas hose according to applicable EN-standard (max3.0m) Standard gas cylinder
Gas cylinder (recommend to use 5kg)	Standard gas cylinder

## COMPONENTS



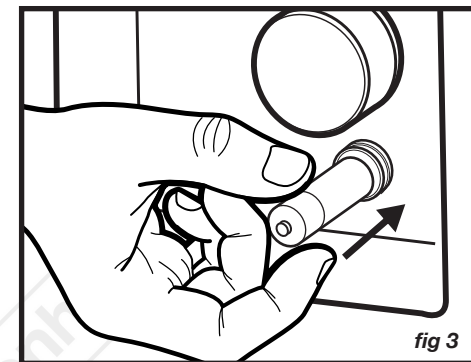
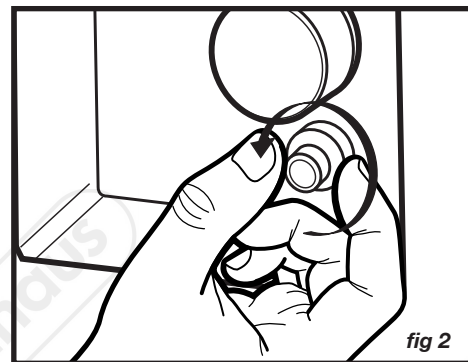
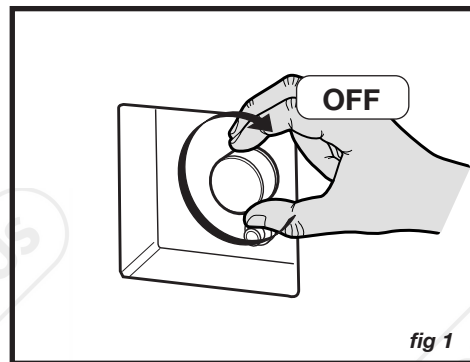
1. Lava Rocks
2. AAA Battery (included)
3. Fire Pit Body.
4. Carry Handle.
5. Gas Regulator Dial.
6. Ignition Switch.
7. Weather Protector Cover.
8. Burner (Burner ring).

## 1 - CONNECTING TO THE GAS TANK | REFER TO PRESSURE REGULATOR MANUAL FOR ADDITIONAL GUIDANCE

Place the Firepit on a flat, stable and heat-resistant surface.

Ensure the Gas Regulator Dial is turned to the 'OFF' position before use (fig 1).

Unscrew the rubber cap on the Ignition Switch to expose the battery compartment (fig 2). Insert the AAA battery ensuring the positive end (+) is towards the rubber cap (fig 3). Screw the rubber cap tightly onto the Ignition Switch to secure the battery.



Scatter the Lava Rocks around the Fire Bowl covering the burner ring (fig 4)

**CAUTION!** The Lava Rocks must not cover the Ignition Vent. The Vent must always be visible and clear of obstruction to ensure a smooth flow of gas.

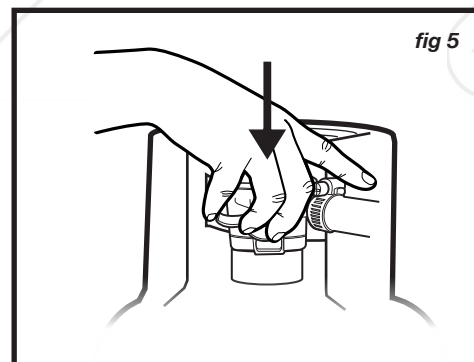
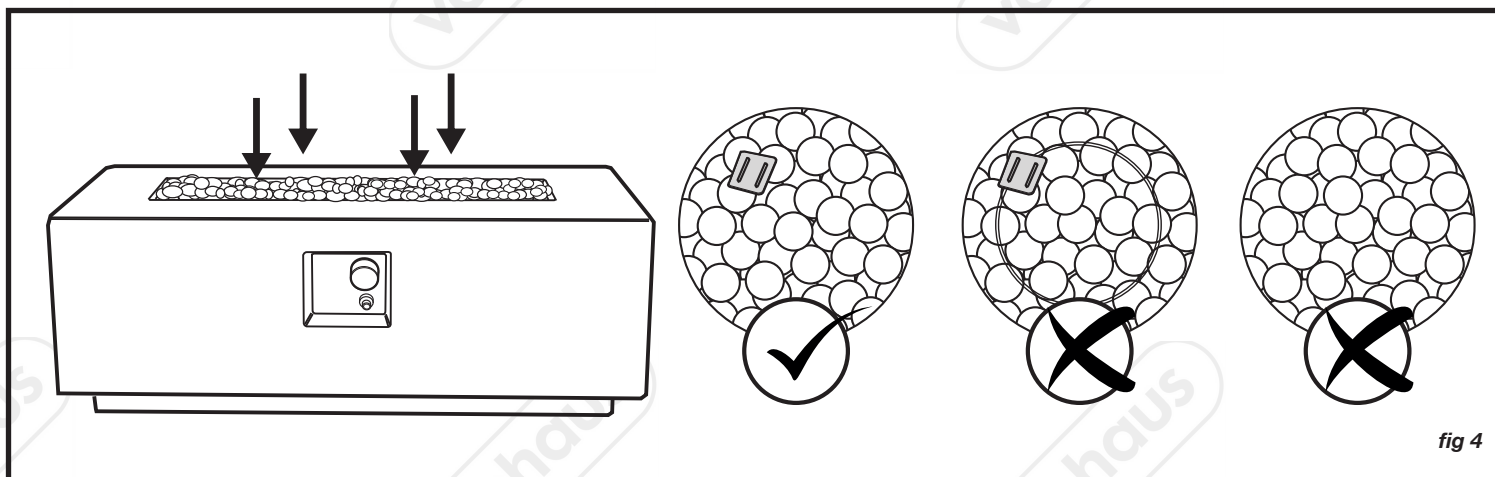
Firstly lubricate the the end of the hose with water to facilitate the insertion. Then connect the hose to the barbed stem on the Pressure Regulator.

To guarantee a sound connection, use a hose Clamp which is supplied in the Pressure Regulator kit with the hose and is in any case matched with the hose dimensions.

To connect the VonHaus Pressure regulator hose (sold separately) to the Gas Tank, push down firmly and vertically until you hear a secure 'click' (fig 5).

Tighten and secure the other end of the hose to the Firepit connector underneath.

**NOTE!** The Pressure Regulator is designed as to prevent it from being fitted to the valve. unless the regulator handle is in the "off" position. therefore, never attempt to mount or to dismount it, when the handle is not in that position.



## 2 - IGNITING THE FIREPIT



**WARNING!** Ensure a 'leak test' has been carried out before igniting the firepit.

**NOTE!** Before each use, examine the hose for any signs of cuts or abrasions. **DO NOT USE** if the hose has any signs of defects.

Turn the Pressure Valve (on the Gas Tank) **counter-clockwise** to open the gas supply.

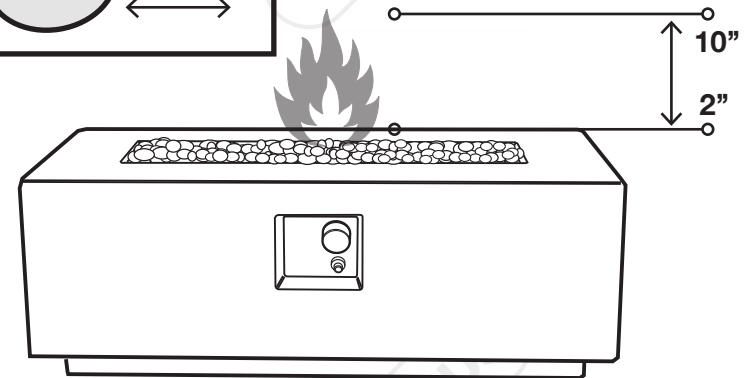
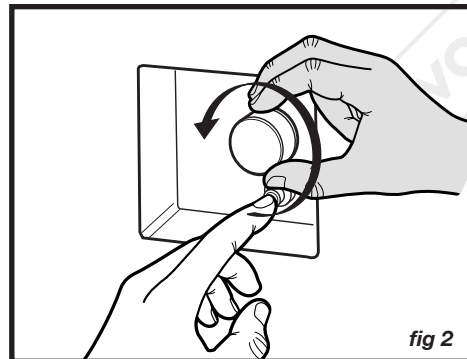
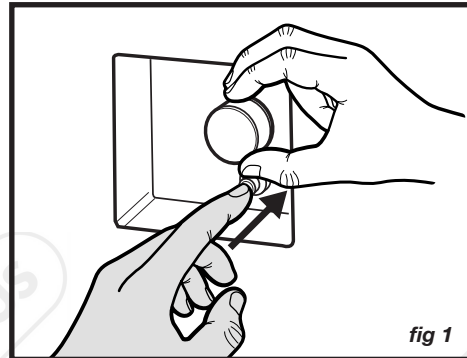
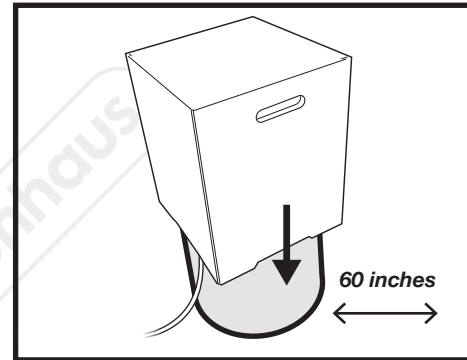
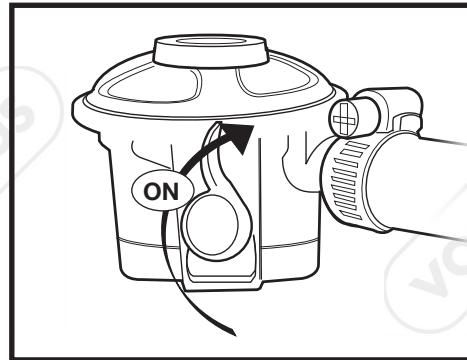
**CAUTION!** Ensure the Gas Tank is secured in a storage box (sold separately) and kept at least **60 inches** away from the Fire Pit.

To ignite, **press and hold** the Ignition Switch (*fig1*). Meanwhile, push and turn the Gas Regulator Dial counter-clockwise (*fig2*).

After ignition, release the Ignition Switch but continue to push and hold the Gas Regulator Dial for **15-30 seconds**.

**NOTE!** If ignition does not take place within seconds, push and turn the Gas Regulator Dial to the **OFF** position and wait for **5 minutes**. Repeat the lighting procedure as above.

**WARNING!** If the burner does not ignite with the valve open, gas will continue to flow and could accidentally ignite causing injury.



Once successfully lit, ensure you observe the flame height and colour. Flames should be **yellow/blue** in colour with a height of **2-10 inches**.

Take extra care to ensure the flame does not exceed that height.

To turn the Fire Pit off, simply turn the Gas Regulator **clockwise** to the **OFF** position along with the Gas Cylinder valve also turned to the **OFF** position.

Allow the Firepit to completely cool for at least **40-60 minutes** before covering with the Weather Protector Cover to store.

If you wish to 're-light' the Fire Pit after its been turned off, wait at least **5 minutes** for any gas to dissipate before attempting a re-light.



### 3 - SAFELY DISCONNECTING FROM GAS TANK

Turn the Gas Regulator Dial clockwise to switch off from the Fire Pit (fig1).

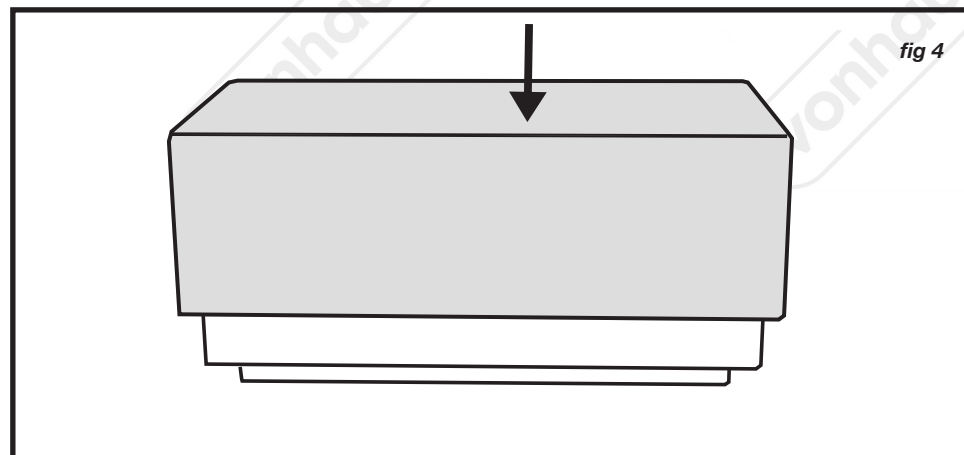
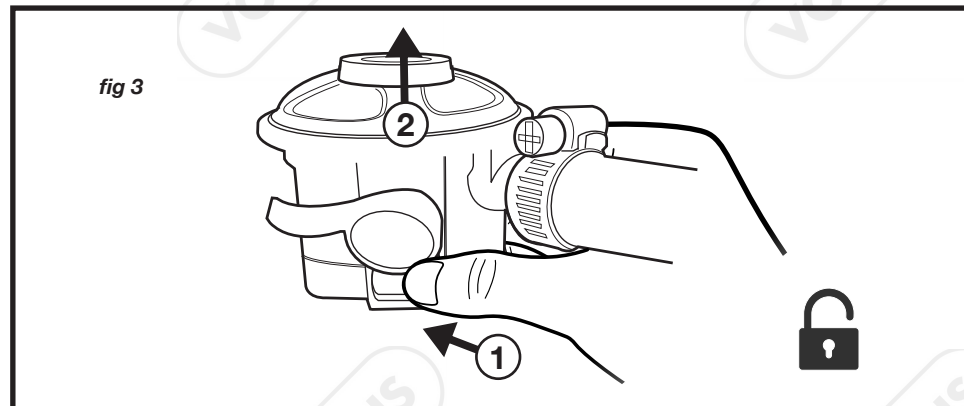
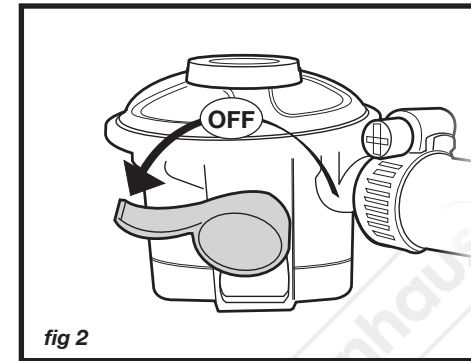
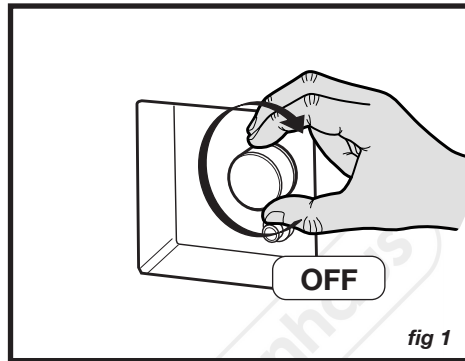
Turn the Pressure Valve (on the Gas Tank) **counter-clockwise** to close the gas supply on the Gas Tank (fig2).

Dismount the Pressure Regulator by pressing horizontally on the handle and pulling upwards at the same time (fig3). This can be stored under the Firepit along with the hose when not in use

Store the Gas Cylinder in a safe and secure location away from any combustible items.

When the Firepit is not in use, cover with the weather Protector provided to protect the surfaces from any harsh weather conditions (fig4).

**CAUTION!** Ensure the Firepit has completely cooled before covering for storage



## 4 - TROUBLESHOOTING

PROBLEM	CONDITION	SOLUTION
Burner will not light.	<p>Gas Regulator Dial or Pressure Valve is not turned to maximum position.</p> <p>LPG Cylinder valve is close or empty.</p> <p>Blockage in the internal injector.</p> <p>Low gas pressure.</p> <p>Ignitor fails.</p>	<p>Turn Gas Regulator Dial and Pressure Valve is to maximum position.</p> <p>Fully open the LPG Cylinder valve or replace LPG cylinder.</p> <p>Clean the internal injector.</p> <p>Replace LPG cylinder with new one.</p> <p>Use a match to light the burner, replace AAA battery is required.</p>
Burner will not remain ignited.	<p>Air may be in the gas circuit.</p> <p>Low gas pressure.</p> <p>Ignitor fails.</p>	<p>Open gas line and bleed it (pressing Gas Regulator Dial in) for under 1 minute or until you smell gas.</p> <p>Replace LPG cylinder with new one.</p> <p>Use a match to light the burner, replace AAA battery is required.</p>
Burner Flame is low.	<p>LPG Cylinder may have less than 25% capacity or the outdoor temperature is below 5°C.</p> <p>Gas pipe is bent or kinked.</p> <p>Gas Regulator Dial is positioned too high.</p>	<p>Replace the LPG Cylinder with a new one.</p> <p>Straighten the hose and perform a 'leak test as described in the 'Warning section' of this manual.</p> <p>Turn the Dial to its 'OFF' position and allow to fully cool. Check the burner and vents for any signs of blockages.</p>
Carbon Build-up.	<p>Dirt or film on Burner.</p>	<p>Ensure the Burner/vents are kepy clean after every use.</p>
Flame inside Burner.	<p>Burner ports may be blocked.</p>	<p>Switch off the appliance and close the LPG cylinder valve. Wait 2 minutes before following the 'ignition' procedure. Ignite the Burner, if the problem continues, switch off and contact DOMU Bands Customer Services at <a href="mailto:support@domu.co.uk">support@domu.co.uk</a></p>
Thick black smoke is present.	<p>Blockage in Burner.</p>	<p>Switch off the appliance and close the LPG cylinder valve. Let the appliance cool before removing blockages and cleaning Burner Ring (inside and out).</p>



## EN

**DISPOSAL INFORMATION** Please recycle where facilities exist. Check with your local authority for recycling advice.

**CUSTOMER SERVICE** If you are having difficulty using this product and require support, please contact [support@domu.co.uk](mailto:support@domu.co.uk)

**WARRANTY** To register your product and find out if you qualify for a free extended warranty please go to [www.vonhaus.co.uk/warranty](http://www.vonhaus.co.uk/warranty) Please retain a proof of purchase receipt or statement as proof of the purchase date. The warranty only applies if the product is used solely in the manner indicated in the warnings page of this manual, and all other instructions have been followed accurately. Any abuse of the product or the manner in which it is used will invalidate the warranty. Returned goods will not be accepted unless re-packaged in its original packaging and accompanied by a relevant and completed returns form. This does not affect your statutory rights. No rights are given under this warranty to a person acquiring the appliance second-hand or for commercial or communal use.

**COPYRIGHT** All material in this instruction manual are copyrighted by DOMU Brands. Any unauthorised use may violate worldwide copyright, trademark, and other laws.

## FR

### INFORMATIONS RELATIVES AU RECYCLAGE

Veuillez recycler là où il existe des installations adéquates. Vérifiez auprès de vos autorités locales pour obtenir des conseils sur le recyclage.

**SERVICE CLIENT** Si vous rencontrez des difficultés pour utiliser ce produit et avez besoin d'assistance, veuillez contacter [support@domu.co.uk](mailto:support@domu.co.uk)

**GARANTIE** Pour enregistrer votre produit et découvrir si vous vous qualifiez pour une extension gratuite de garantie, rendez-vous sur [www.vonhaus.co.uk/warranty](http://www.vonhaus.co.uk/warranty) Conservez une preuve d'achat, reçu ou attestation, pour prouver la date de l'achat. La garantie ne s'applique que si le produit a été utilisé de la manière indiquée dans la section de la page des avertissements de ce manuel et que toutes les instructions ont été suivies de manière précise. Tous les abus réalisés sur le produit, dans la manière dont il a été utilisé, rendront la garantie caduque. Les marchandises renvoyées ne seront acceptées que si elles sont remballées dans leur emballage d'origine et accompagnées d'un formulaire de retour adéquat et rempli. Ceci n'affecte pas vos droits statutaires. Cette garantie n'accorde aucun droit à une personne obtenant le produit de seconde main ou à des fins d'utilisation commerciale ou communale.

**DROITS D'AUTEUR** Toutes les informations de ce manuel d'utilisation sont protégées par droit d'auteur par DOMU Brands. Toute utilisation non autorisée pourrait enfreindre les lois mondiales de droit d'auteur, de marque déposée ainsi que d'autres lois.

## DE

**ENTSORGUNG** Bitte entsorgen Sie das Produkt an geeigneten Entsorgungsstellen. Fragen Sie bei Ihrer Gemeinde nach.

**KUNDENSERVICE** Wenn Sie Schwierigkeiten mit diesem Produkt haben und Unterstützung benötigen, wenden Sie sich bitte an [support@domu.co.uk](mailto:support@domu.co.uk)

**GARANTIE** Um Ihr Produkt zu registrieren und zu erfahren, ob eine kostenlose verlängerte Garantie möglich ist, gehen Sie bitte auf [www.vonhaus.co.uk/warranty](http://www.vonhaus.co.uk/warranty) Bitte behalten Sie eine Rechnung oder den Kassenzettel als Nachweis des Einkaufsdatums auf. Die Garantie gilt nur, wenn das Produkt nur wie in dieser Anleitung beschrieben verwendet wurde und wenn alle Anweisungen befolgt wurden. Jeglicher Missbrauch des Produkts oder der Art und Weise, in der es verwendet wird, macht die Garantie ungültig. Zurückgegebene Artikel werden nur akzeptiert, wenn sie sich in der Originalverpackung befinden und wenn ein relevantes und vollständig ausgefülltes Rücksendeformular enthalten ist. Dies betrifft nicht Ihre gesetzlichen Ansprüche. Für Artikel, die gebraucht erworben wurden, oder die kommerzielle oder gemeinschaftlich genutzt werden, entstehen keinerlei Ansprüche auf Garantie.

**COPYRIGHT** Alle Materialien in dieser Anleitung stehen unter Copyright von DOMU Brands Ltd. Jede unautorisierte Verwendung kann das weltweite Copyright, die Handelsmarke und andere Gesetze verletzen.

## ES

**INFORMACION DE DESECHO** Por favor, reciclad en las instalaciones correspondientes. Consultad con vuestra autoridad local para obtener consejos de reciclaje.

**SERVICIO AL CLIENTE** Si tiene dificultades para utilizar este producto y necesita asistencia, contacte con [support@domu.co.uk](mailto:support@domu.co.uk)

**GARANTÍA** Para registrar vuestro producto y averiguar si califica para una garantía extendida gratuita, vaya a [www.vonhaus.co.uk/warranty](http://www.vonhaus.co.uk/warranty) Conservad un comprobante de recibo de compra o extracto como prueba de la fecha de compra. La garantía solo se aplica si el producto se utiliza únicamente de la manera indicada en la página de advertencias de este manual, y todas las demás instrucciones se han seguido con precisión. Cualquier abuso del producto o la manera en que se use invalidará la garantía. Los productos devueltos no se aceptarán a menos que se vuelvan a empaquetar en su embalaje original y acompañados por un formulario de devolución completo y pertinente. Esto no afecta sus derechos legales. No se otorgan derechos bajo esta garantía a una persona que adquiere el aparato de segunda mano o para uso comercial o comunitario.

**DERECHOS DE AUTOR** Todo el material en este manual de instrucciones está protegido por DOMU Brands. Cualquier uso no autorizado puede violar los derechos de autor, marcas comerciales y otras leyes en todo el mundo.

## IT

**INFORMAZIONI SULLO SMALTIMENTO** Si prega di riciclare nelle apposite strutture. Chiedere una consulenza alle autorità competenti per il riciclo.

**SERVIZIO CLIENTI** Se si riscontrano difficoltà nell'utilizzo di questo prodotto e si richiede supporto, contattare [support@domu.co.uk](mailto:support@domu.co.uk)

**GARANZIA** Per registrare il prodotto e capire se hai diritto all'estensione di garanzia, vai su [www.vonhaus.co.uk/warranty](http://www.vonhaus.co.uk/warranty) Si prega di conservare la ricevuta del pagamento quale prova della data d'acquisto. La garanzia si applica solo se il prodotto viene utilizzato esclusivamente come indicato nella pagina delle Avvertenze del presente manuale e se tutte le altre informazioni vengano accuratamente seguite. Qualsiasi abuso nell'utilizzo di questo prodotto invaliderà la garanzia. I resi non saranno accettati se non riposti nella confezione originale ed accompagnati da un modulo di reso completo. Ciò non pregiudica i propri diritti obbligatori. La presente garanzia non attribuisce alcun diritto a coloro che acquistano prodotti di seconda mano o per fini commerciali o condivisi.

**COPYRIGHT** Tutto il materiale contenuto nel presente manuale delle istruzioni è protetto da copyright di DOMU Brands. Qualsiasi uso non autorizzato potrebbe violare il copyright a livello mondiale, marchio ed altre leggi.

## THANK YOU

Thank you for purchasing your product/appliance. Should you require further assistance with your purchase, you can contact us at [support@domu.co.uk](mailto:support@domu.co.uk)

VonHaus is a registered trademark of DOMU Brands Ltd. Made in China for DOMU Brands. M24 2RW.

## MERCI

Merci d'avoir acheté notre produit/appareil. Si vous avez besoin d'aide suite à votre achat, vous pouvez nous contacter à [support@domu.co.uk](mailto:support@domu.co.uk)

VonHaus est une marque déposée de DOMU Brands Ltd. Fabriqué en Chine pour DOMU Brands. M24 2RW.

## VIELEN DANK

Vielen Dank, dass Sie das Produkt/Gerät gekauft haben. Sollten Sie weitere Unterstützung benötigen, können Sie uns gerne unter (email) kontaktieren. [support@domu.co.uk](mailto:support@domu.co.uk)

VonHaus ist eine registrierte Handelsmarke von DOMU Brands Ltd. Hergestellt in China für DOMU Brands. M24 2RW.

## GRACIAS

Gracias por comprar vuestro producto/aparato. Si requiere asistencia con vuestra compra, podeis contactarnos a [support@domu.co.uk](mailto:support@domu.co.uk)

VonHaus es una marca registrada de DOMU Brands Ltd. Hecha en China para DOMU Brands. M24 2RW.

## GRAZIE

Grazie per aver acquistato il prodotto. Per ulteriore assistenza sul tuo acquisto, puoi contattarci all'indirizzo email [support@domu.co.uk](mailto:support@domu.co.uk)

VonHaus è un marchio registrato di DOMU Brands Ltd. Made in Cina per DOMU Brands. M24 2RW.