

2000W 9 FIN OIL FILLED RADIATOR

Product Instructions

Product No. 2500729.2 / 2500889.1 / 2500890.1

vonhaus

Let's get started!

Visit our product hub for useful tips and tricks on getting the most out of your new product.

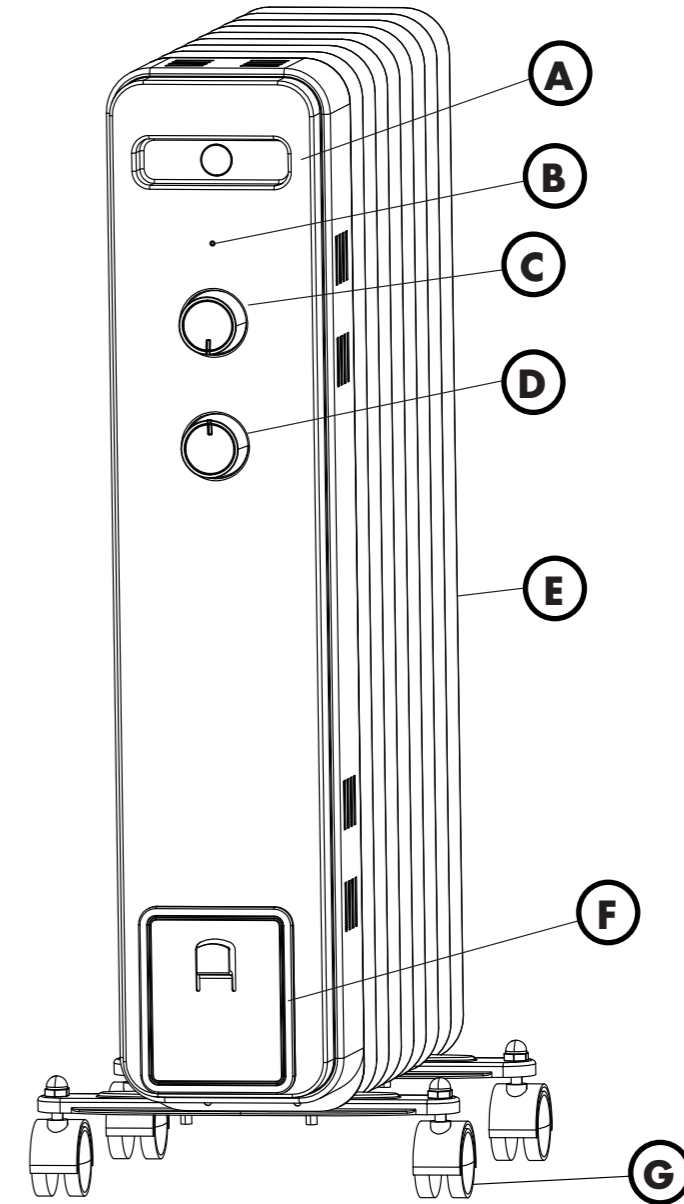
SCAN ME



Need further help?
support@vonhaus.com

See our full range at
www.vonhaus.com

Components



- A. Handle
- B. Indicator Light
- C. Thermostat Dial
- D. Power Selector Switches

- E. Radiant Fins
- F. Plug Storage
- G. Castor Wheels

Assembly

Place the body of the Radiator upside down on a scratch-free surface, making sure that it is stable and will not fall.

Locate the U-Shaped Bars and remove the Wing Nuts.

Locate the Bars at the front and rear of the Radiant Fins.

Attach the Wheel Mounting Bracket onto the U-Shaped Bar and secure into place using the previously removed Wing Nuts.

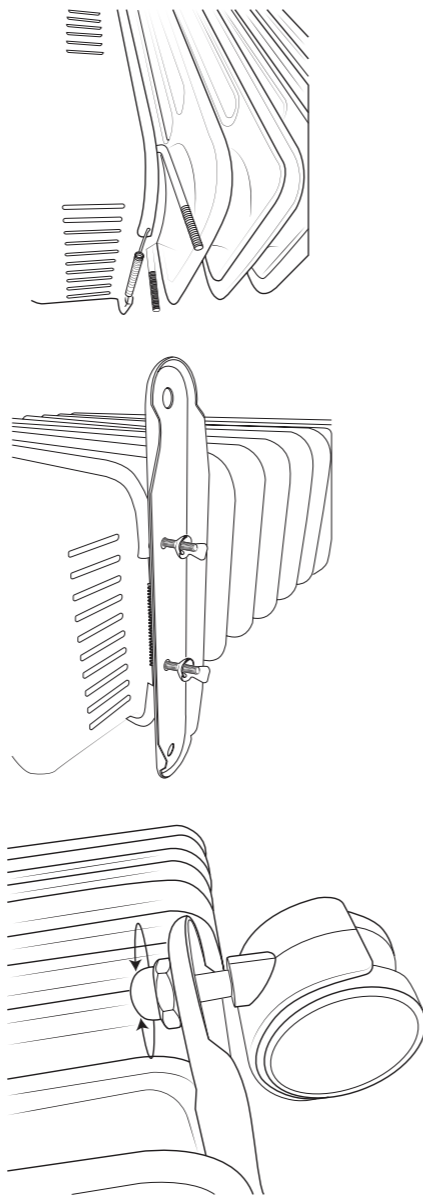
Remove the End Cap Screw from the Wheel, thread the Wheel onto the Wheel Mounting Bracket and secure into place with the End Cap Screw. Ensure everything is tightend and secure before turning upright.

IMPORTANT: After assembly, stand the Radiator upright for **1 hour** before switching on. This will allow the oil to settle into the correct position.

This Radiator is fitted with an **overheat protection switch** (thermal cut-out) which will power off the appliance automatically in case of overheating. Should this occur, unplug the appliance and allow to cool fully for approximately 30 minutes.

Follow the operation instructions to restart the appliance after removing the source of the overheating (poor ventilation, item covering the Radiator etc.). The Radiator should function normally. Should the problem persist, please contact Vonhaus.

To avoid damage and to regulate the temperature, this Radiator is fitted with a



thermostatic safety device. The safety device will activate and cut out the power to the Radiator once a certain temperature is reached. The Radiator will start again once the temperature has lowered.

The Radiator is also fitted with a **tip switch** which will cut off the power to the Radiator if it is knocked over. Should this happen, disconnect at the mains and allow to cool fully before attempting to move the Radiator. Inspect the Radiator for damage. If — and only if — the Radiator is free from damage, plug back into the mains. The Radiator should function normally.

Operation

CAUTION: Before using the Radiator, make sure that it is on a flat and stable surface. Damage may occur if it is placed on an incline or decline.

NOTE: When the Heater is switched on you will hear a crackling/popping sound, this is completely normal and not a fault, it is the oil settling.

Set all the controls to the off position and insert the plug into a socket outlet, ensuring the plug fits firmly.

Rotate the Temperature Dial clockwise to the **MAX** position and switch the Radiator on.

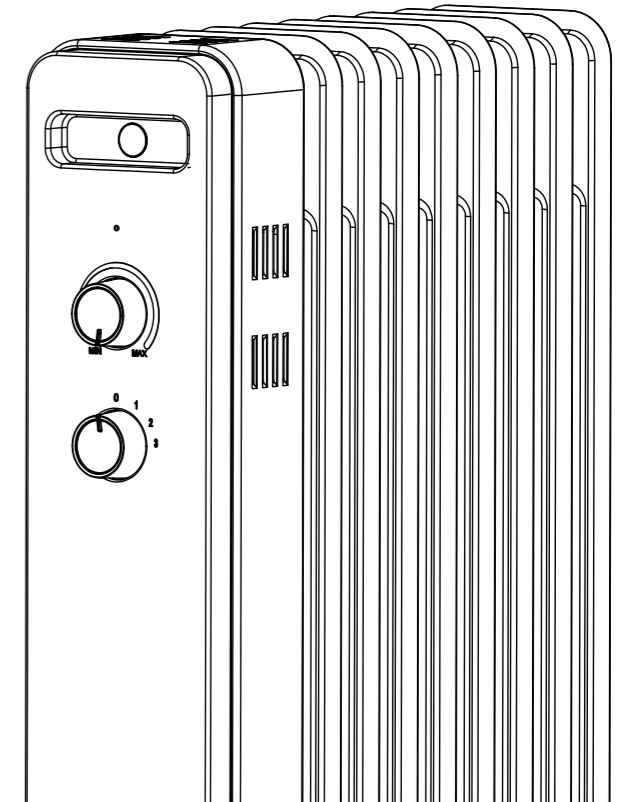
PLEASE NOTE! Setting the Dial to **MAX** is to burn off any manufacturing residue. This is only recommended for 'First time use' and is not required for every use.

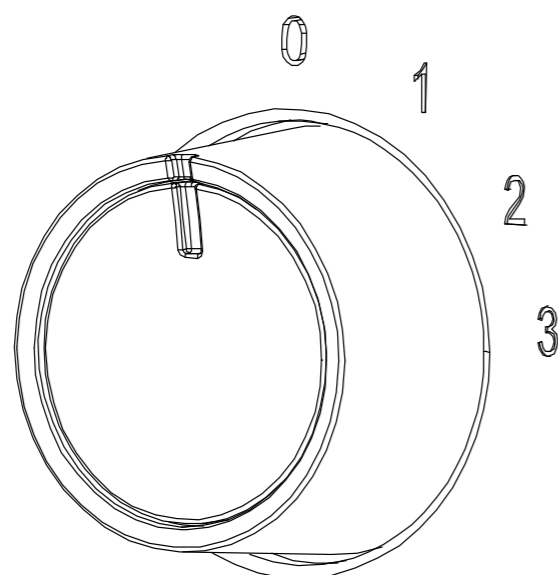
Once your room reaches the desired temperature, slowly rotate the Thermostat Knob anticlockwise until the pilot light goes out. It can now be left at this setting. As soon as the room temperature has dropped below the set temperature, the unit will switch itself on automatically until the set temperature has been reached again. In this way, the room temperature remains constant with the most economical use of electricity.

If you want to change the room temperature setting, rotate the Thermostat Knob clockwise to raise the temperature, or anticlockwise to lower it.

This Radiator is fitted with an overheat protection system that shuts off the Radiator should parts of the Radiator become excessively hot.

To completely shut the Radiator off, turn all the controls to the off position and remove plug from the socket outlet.





Use the Power Switches (1) (2) (3) to control the ambient heat in the room and the cost of keeping the room at a constant heat.

- **Switch (1) 800W**
- **Switch (2). 1200W**
- **Switch (3) 2000W**

Important Safety Notice

This product is **not suitable for use by children** or by individuals with **physical, sensory, or mental impairments** that may limit their ability to operate the equipment safely, **unless** they have been given supervision or instruction concerning the safe use of the product by a person responsible for their safety.

Failure to follow all instructions and safety warnings may result in electric shock, fire, or serious injury.

General Safety

Do not allow this appliance to be used as a toy. Children should be supervised at all times to ensure they do not play with it.

If the appliance is not functioning properly, has been dropped, damaged, left outdoors or immersed in liquid, do not use it. Contact our customer services department at support@vonhaus.com

Do not use the appliance if any parts appear to be faulty, missing or damaged.

Ensure all parts are securely attached as instructed in this manual before use.

This appliance is intended for indoor domestic use only.

Do not use in bathrooms, shower rooms, or areas with high humidity.

Cables and Plugs

Check to ensure your electricity supply matches that shown on the rating plate. This product should only be used as rated. Preferably, the socket outlet should be protected by a Residual Current Device RCD (UK/EU) Ground Fault Indicator (US).

Do not use with a damaged cable or plug. If the supply cable is damaged, it must be replaced by a qualified engineer or authorised service agent in order to avoid a hazard. The use of an extension cable is not recommended.

Do not handle the plug or appliance with wet hands.

Keep the cable away from heated surfaces.

Do not let the cable hang over the edge of the table or countertop where it could be pulled on inadvertently by children or pets.

Do not pull the cable around sharp edges or corners.

Do not leave unattended when plugged in. Unplug from outlet when not in use.

Turn off all controls before unplugging.

Do not unplug by pulling on the cable. To unplug, grasp the plug, not the cable.

Always unplug before performing user maintenance, connecting or disconnecting attachments, or changing accessories.

Ensure the cable is stored safely to prevent hazards.

Risk of Personal Injury

Always place the appliance on a firm, flat, heat-resistant surface, away from the edge of the worktop, with sufficient space around all sides. Do not insert any objects into the openings or cover the appliance.

Keep away from curtains, furniture, and flammable materials

Do not place or dry clothing, towels, or any materials on or near the appliance. Do not use near combustible surfaces, outdoors, or near other heat sources.

Do not use the heater to dry laundry. Ensure all air vents are kept clear and unobstructed. Never operate inside cupboards or enclosed spaces.

Take care not to touch surfaces that may become hot during use or remain hot for a period after use. Never operate the appliance

Information

when empty and do not overload or overfill it.

When using the appliance for the first time, it may produce a 'new' smell or slight vapour – this is normal and will dissipate after a few uses. Do not lift or move the appliance whilst in use. Do not operate continuously for extended periods without supervision. Always switch off and unplug before cleaning or changing accessories. Use only as described in this manual and with Vonhaus recommended attachments.

Always switch off and unplug when not in use. Do not use if air vents are blocked.

Maintenance

CAUTION: Switch off the Radiator and disconnect the from the power socket. Wait for the Radiator to cool completely before cleaning.

Vacuum-clean the Vents **(5)** to remove dust from these areas.

To remove dust on external surfaces, wipe the Radiator with a damp (not wet) lint-free cloth rinsed in hot soapy water only.

CAUTION: Do not use any harsh detergent or abrasive cleaners.

WARNING! Do not spray with liquids or submerge in any liquid or water.

WARNING! Do not attempt to clean the inside of the Radiator. Do not attempt to open the casing at any time. There are no user-serviceable parts.

Troubleshooting

Radiator will not power on

Ensure the Radiator is switched on and connected to mains power. Activate the Power Selector Switches and Thermostat Knob. Check the fuse by replacement.

The radiator is not heating up

Check that the Radiator is plugged in and switched on at the mains outlet. Make sure that the Radiator has not gone into overheat protection mode. The Vents may require need cleaning.

The radiator becomes damaged

Do not use and contact customer services.

Technical Specifications

Rated Voltage: 220–240V

Rated Power: 2000W

Rated Frequency: 50Hz

Information



Please read all instructions before use



Do not immerse in water



Do not cover



Do not use outdoors



WARNING: Hot surfaces



WARNING: Keep children and pets away from the heater during use



WARNING: Risk of fire if instructions are not followed



Suitable for well-insulated spaces or occasional use only



This appliance has a thermal cut-out switch. If the appliance overheats, it will shut down automatically. Unplug and allow to cool for 15 minutes before restarting

Information

Model		2500729.2 / 2500729.1					
Item	Symbol	Value	Unit	Item	Unit		
Heat Output				Type of heat input for Electrical Storage Heaters only (select one)			
Nominal Heat Output	P_{nom}	0.8731	kW	Manual heat charge control with integrated thermostat.	no		
Minimum Heat Output (indicative)	P_{min}	0.5546	kW	Manual heat charge control with room and/or outdoor temperature feedback.	no		
Maximum Continuous Heat Output	P_{max}	0.8731	kW	Electronic heat charge control with room and/or outdoor temperature feedback	no		
Auxiliary electricity consumption				Fan assisted heat output			
At nominal heat output	EL_{max}	N/A	kW	Type of heat output/room temperature control (select one)			
At minimum heat output	EL_{min}	N/A	kW	Single stage heat output and no room temperature control	no		
In standby mode	EL_{SB}	N/A	kW	Two or more manual stages, no room temperature control	no		
				With mechanical thermostat room temperature control	yes		
				With electronic room temperature control	no		
				Electronic room temperature control plus day timer	no		
				Electronic room temperature control plus week timer	no		
				Other control options (multiple selections possible)			
				room temperature control with presence detection	no		
				room temperature control with open window detection	no		
with distance control option	no						
with adaptive start control	no						
with working time limitation	no						
with black bulb sensor	no						
Contact Details		DOMU Brands Ltd., Unit 30, Stakehill Industrial Estate, Middleton, Manchester, M24 2RW					

Information

Customer Service

If you are having difficulty using this product and require support, please contact support@vonhaus.com

Warranty

To register your product and find out if you qualify for a free extended warranty please go to www.vonhaus.com/warranty

Please retain a proof of purchase receipt or statement as proof of the purchase date.

The warranty only applies if the product is used solely in the manner indicated in the warnings page of this manual, and all other instructions have been followed accurately.

Any abuse of the product or the manner in which it is used will invalidate the warranty.

Returns

Returned goods will not be accepted unless re-packaged in its original packaging and accompanied by a relevant and completed returns form. This does not affect your statutory rights.

No rights are given under this warranty to a person acquiring the appliance second-hand or for commercial or communal use.

Copyright

All material in this instruction manual are copyrighted by DOMU Brands.

Any unauthorised use may violate worldwide copyright, trademark, and other laws.

Thank You

Thank you for purchasing your product/appliance.

Should you require assistance with your purchase, please contact us at support@vonhaus.com

Vonhaus is a registered trademark of DOMU Brands Ltd.

Made in China for DOMU Brands Ltd.
Unit 30, Stakehill Industrial Estate
Middleton, Manchester, M24 2RW

EU Authorised Representative

Authorised Representative Service
77 Camden Street Lower
Dublin, D02 XE80
Ireland

Let's get started!

Visit our product hub for useful tips and tricks on getting the most out of your new product.

SCAN ME

