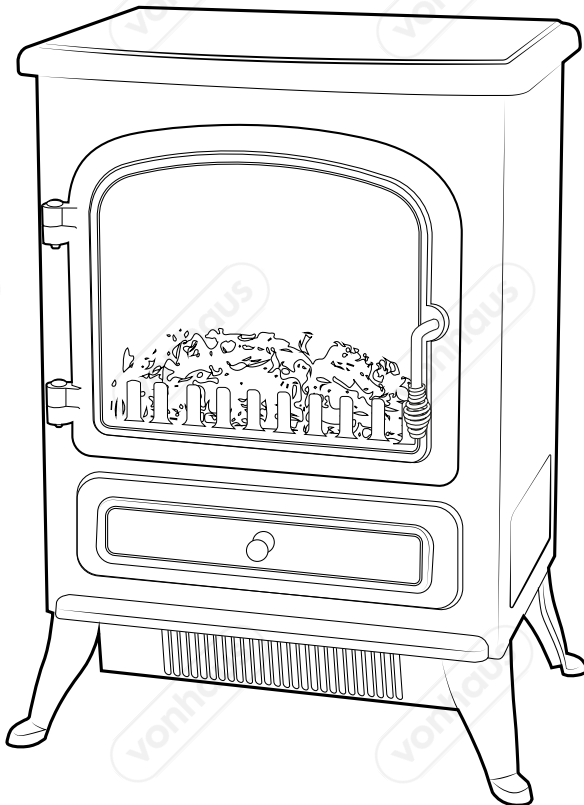


# 1850W BLACK STOVE HEATER

2514011 - Instruction Manual



# CONTENTS

---

Safety Instructions	<b>1</b>
Safety Instructions, Safety Symbols	<b>2</b>
Specification	<b>3</b>
Information Requirements for Electric Local Space Heat	<b>4</b>
Foot Assembly, Controls	<b>5</b>
Operation, Bulb Replacement, Cleaning & Care	<b>6</b>
Troubleshooting	<b>7</b>
Specification	<b>8</b>
Warranty	<b>9</b>

# **WARNING**

PLEASE READ THESE INSTRUCTIONS CAREFULLY AND KEEP FOR FUTURE REFERENCE

## **INTENDED USE.**

This 1850W Stove Heater designed for light domestic use only. It is not intended for heavy duty, commercial or industrial use, and is not suitable for use outdoors.

**WARNING!** Do not use this appliance to dry clothes.

This appliance cannot be used by children or persons with reduced physical, sensory or mental capabilities or lack of experience and knowledge if they have not been given supervision or instruction concerning use of the appliance in a safe way and understand the hazards involved. Children shall not play with the appliance. Cleaning and user maintenance shall not be made by children without supervision.

**WARNING!** This product is not suitable to be used on long pile carpets.

Use this appliance only as described in this manual. Any other use is not recommended by the manufacturer and may cause fire, electric shock or injury.

## **PRIOR TO USE.**

Remove the packaging and make sure that the appliance is intact. If in doubt, do not use the appliance and contact DOMU Brands Customer Services.

Do not leave packaging materials such as bags and staples within reach of children. Dispose of packaging carefully and with consideration for the environment.

It is recommended that you retain the appliance box for seasonal storage. For your convenience, record the date you received the appliance on the 'Warranty' page of these instructions and attach your proof of purchase. Retain this information in the event that a warranty service is required.

## **SAFETY INFORMATION.**

When using any electrically-powered appliance, basic safety precautions should always be followed to reduce the risk of fire, electrical shock, or injury to persons

or property.

## **CABLES AND PLUGS.**

Check to ensure your electricity supply matches that shown on the rating label of the appliance. The appliance must only be used as rated.

Do not operate any appliance with a damaged cord or plug, or after the appliance malfunctions or has been dropped or damaged in any manner. Take to a qualified electrical person for service and repair.

Do not connect the appliance to the mains voltage until completely assembled and adjusted.

Unroll the cord before operating.

Operating with a coiled cord may cause overheating and risk of fire.

The use of an extension cord with this appliance is not recommended.

Do not allow the cord to come into contact with the appliance surface during operation.

Do not run the cord under carpeting, mats or rugs etc. Arrange the cord away from traffic areas so that it will not be tripped over.

Do not twist, kink or wrap the cord around the appliance as this may cause the insulation to weaken and split.

Always unplug the appliance when not in use. Do not leave unattended.

Always switch off the appliance before unplugging from the power socket.

Always hold the plug when removing it from the wall, do not pull the cord.

**CAUTION:** In order to avoid a hazard due to inadvertent resetting of the thermal cut-out, this appliance must not be supplied through an external switching device, such as a timer, or connected to a circuit that is regularly switched on and

# ⚠ WARNING ⚠

PLEASE READ THESE INSTRUCTIONS CAREFULLY AND KEEP FOR FUTURE REFERENCE

off.

## **RISK OF PERSONAL INJURY.**

Use this appliance only as described in this manual.

Do not use this appliance with any type of external timer.

Always operate upright, on a flat surface only.

This appliance heats up when in use. To avoid burns, do not touch the front of the appliance or any of the grilles or vents.

## **WARNING! DO NOT COVER.**

Do not cover in any manner as the appliance may overheat and become a fire risk.

Keep all objects at least 1 metre from the front, side and rear of the appliance.

Do not operate the appliance with wet hands.

Do not immerse in liquid or use the appliance near water as this could create an electrical shock hazard.

If the appliance accidentally comes into contact with water, switch off the power supply and do not touch the appliance. Never attempt to remove the cover of the appliance. Repairs requiring opening the appliance or access to internal parts must be carried out by a qualified electrician or repair service professional. There are no user-serviceable parts of this appliance (excluding the plug fuse).

Before moving the appliance, switch it off by unplugging it from the wall and

allowing it to cool.

## **POSITIONING YOUR HEATER.**

This appliance is designed to be placed on a hard, level surface. When positioning, please keep the following points in mind:

Do not locate in areas of high foot traffic. To avoid accidents, always ensure that the power cord and appliance are in full view. Do not fit the appliance in confined spaces such as cupboards or wardrobes.

Do not operate the appliance in areas where gasoline, paint or other flammable liquids are used or stored.

Do not operate the appliance in bathrooms, laundry areas or similar moist indoor locations. Do not use in the immediate surroundings of a bath, shower or swimming pool.

The appliance must not be located immediately below or in front of a socket outlet.

The socket must always be accessible in order to disconnect the appliance from the electrical supply for maintenance.

Store the Heater carefully in a dust-free area during the off season.

It is ideal to store the Heater in the box in which it was supplied.

Neatly wind the cord of the Heater to prevent damage.

## SAFETY SYMBOLS

Please ensure you understand their meanings before operating this product in order to prevent personal injury and avoid damage to the appliance.



### **WARNING!**

Pay attention to all safety and guidance



Read manual before use



### **WARNING!**

Do not cover

# SPECIFICATION

VOLTAGE

V

220-240V ~50Hz

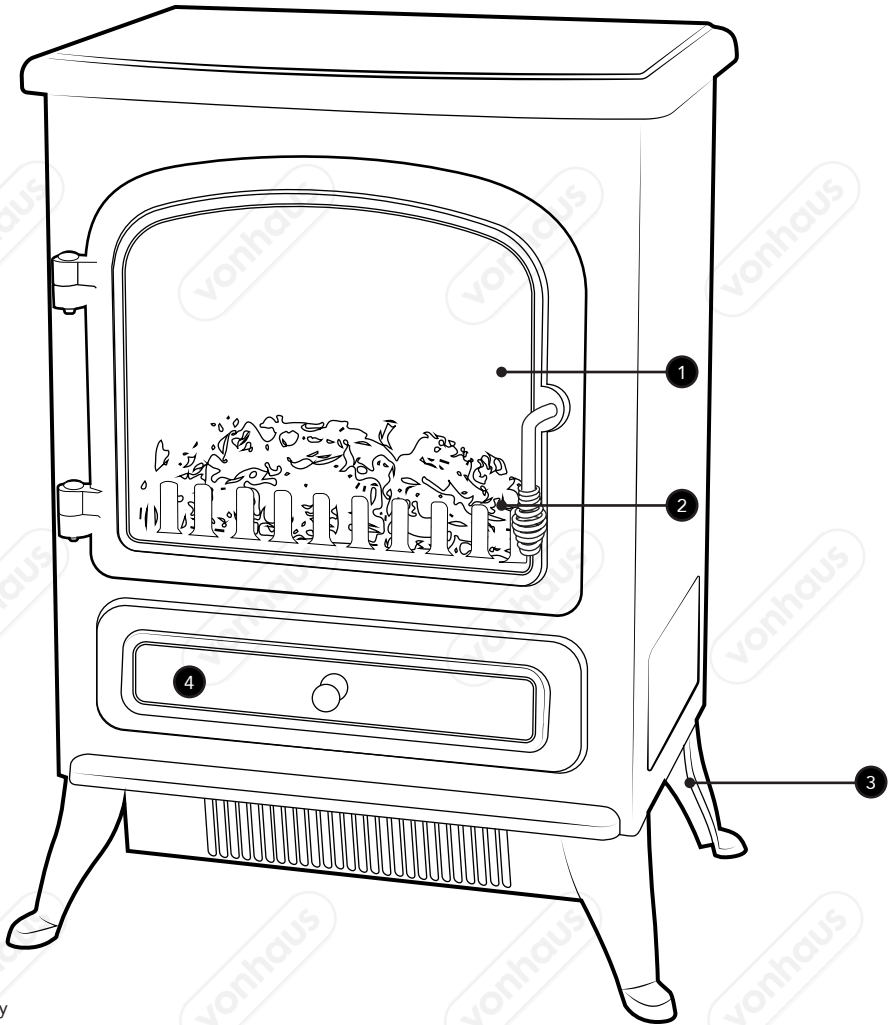
MAX  
POWER

W

1850

BULB  
TYPE

G9

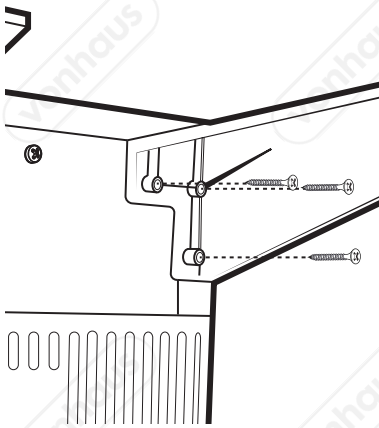


1. Door
2. Fire Display
3. Legs x4
4. Control Panel (behind panel)

# INFORMATION REQUIREMENTS FOR ELECTRIC LOCAL SPACE HEATER

Model		2514011							
Item	Symbol	Value	Unit	Item	Unit				
<b>Heat Output</b>				<b>Type of heat input for Electrical Storage Heaters only (select one)</b>					
Nominal Heat Output	$P_{nom}$	1.85	kW	Manual heat charge control with integrated thermostat.	N/A				
Minimum Heat Output (indicative)	$P_{min}$	0.925	kW	Manual heat charge control with room and/or outdoor temperature feedback.	N/A				
Maximum Continuous Heat Output	$P_{max}$	1.85	kW	Electronic heat charge control with room and/or outdoor temperature feedback	N/A				
<b>Auxiliary electricity consumption</b>				Fan assisted heat output					
At nominal heat output	$EL_{max}$	0	kW	<b>Type of heat output/room temperature control (select one)</b>					
At minimum heat output	$EL_{min}$	0	kW	Single stage heat output and no room temperature control	no				
In standby mode	$EL_{SB}$	0	kW	Two or more manual stages, no room temperature control	no				
				With mechanical thermostat room temperature control	yes				
				With electronic room temperature control	no				
				Electronic room temperature control plus day timer	no				
				Electronic room temperature control plus week timer	no				
				<b>Other control options (multiple selections possible)</b>				room temperature control with presence detection	no
				room temperature control with open window detection	no				
				with distance control option	no				
with adaptive start control	no								
with working time limitation	no								
with black bulb sensor	no								
<b>Contact Details</b>		DOMU Brands Ltd, 4th & 5th Floor, The Tower, Deva City Office Park, Salford, M3 7BF							

# FOOT ASSEMBLY



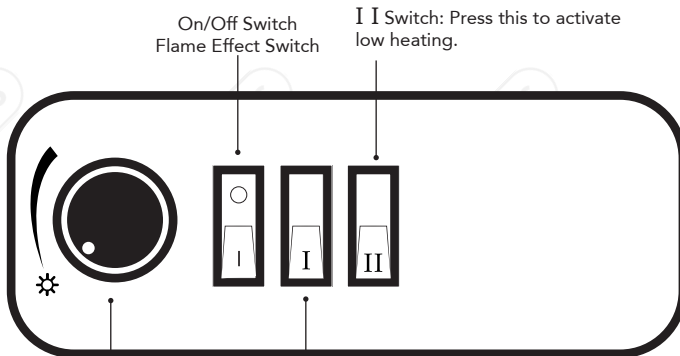
Take the Heater and turn it upside down, ensure to lift the Heater carefully, do not tip.

Take the 4 legs and align over the holes in the base of the Heater.

Screw in each screw and ensure the feet are secured, turn the Heater upright onto its legs.

**NOTE:** Screwdriver not supplied.

# CONTROLS



On/Off Switch  
Flame Effect Switch

I I Switch: Press this to activate  
low heating.

## Thermostat Dial:

Turn the dial till you hear a click, this will be the current room temperature.

Turn the dial past and when the room has reached its desired temperature turn the dial back until it clicks, the heater will now maintain this heat.

I Switch: Press this to activate  
low heating.

# OPERATION

Insert the plug into mains socket.

## TO ACTIVATE THE HEATING FUNCTION:

Turn the Thermostat Dial to maximum by turning clockwise and switch on the Fan Switch.

For Low Heat – Activate 1 Heat Switch

For High Heat – Activate the second Heat Switch (1850W combined).

Turn down the Thermostat Control Knob to the desired temperature by turning anticlockwise.

Close the door once you have finished adjusting the settings.



Do not knock the Stove Heater over when in use as this could cause damage to the filaments of the bulbs.

# BULB REPLACEMENT

**CAUTION:** Always disconnect the Heater from the electricity supply and allow it to cool before undertaking maintenance or replacing the bulb.

Unplug from the mains supply and allow to completely cool.

Open the door and locate the two screws, unscrew both and keep safe.

Pull the Log Bed from both ends to lift up the Log Bed decoration. The two bulbs are located underneath.

Remove the defective bulb by pulling it out of the holder.

Replace with a new bulb.

**CAUTION:** Take care not to touch the bulb with bare hands and ensure that the bulb is pushed in correctly.

To reassemble, follow the above instructions in reverse order.

The bulbs fitted to this Heater are **220-240V ~ 50Hz 25W G9 halogen bulbs.**

Due to the indeterminate life span and ease of replacement, the light bulbs are specifically excluded from the guarantee.

# CLEANING & CARE

**CAUTION:** Switch off the Heater and disconnect the plug from the power socket. Wait for the Heater to cool completely before cleaning.

To remove dust on external surfaces, wipe the Heater with a damp (not wet) lint-free cloth rinsed in hot soapy water only.

**CAUTION:** Do not use any harsh detergent or abrasive cleaners.

**WARNING!** Do not spray with any liquids or submerge in liquid or water.

**WARNING!** Do not attempt to clean the inside of the Heater. Do not attempt to open the Heater casing at any time. There are no user-serviceable parts.



# TROUBLESHOOTING

PROBLEM	SOLUTION
NO LIGHT FROM THE FLAME EFFECT	Possibly a bulb failure. Remove the faulty bulb as detailed in the <b>'Bulb Replacement'</b> section.
LIGHT BUT NO HEAT	Check that the Heat Switches are set to on position.
THE HEATER WILL NOT POWER ON	Ensure the Heater is switched on and connected to mains power. Activate the Power Selector Switches and Heat Switches Check the fuse by replacement.
THE HEATER IS NOT HEATING UP	Check that the Heater is plugged in and switched on at the mains outlet. Make sure that the Heater has not gone into overheat protection mode. The Vents may require need cleaning.
THE HEATER BECOMES DAMAGED	Discontinue use and contact DOMU Brands Customer Services.

# USER NOTES

---

Vonhaus

Vonhaus

Vonhaus

Vonhaus

Vonhaus

Vonhaus

Vonhaus

Vonhaus

Vonhaus

Vonhaus

Vonhaus

Vonhaus

Vonhaus

Vonhaus

Vonhaus

Vonhaus

# DISPOSAL INFORMATION

---

Please recycle where facilities exist. Check with your local authority for recycling advice.

## CUSTOMER SERVICE

---

If you are having difficulty using this product and require support, please contact [hello@domu.co.uk](mailto:hello@domu.co.uk)

## WARRANTY

---

To register your product and find out if you qualify for a free extended warranty please go to

[www.Vonhaus.com/warranty](http://www.Vonhaus.com/warranty).

Please retain a proof of purchase receipt or statement as proof of the purchase date.

The warranty only applies if the product is used solely in the manner indicated in the Warnings page of this manual, and all other instructions have been followed accurately. Any abuse of the product or the manner in which it is used will invalidate the warranty.

Returned goods will not be accepted unless re-packaged in its original packaging and accompanied by a relevant and completed returns form. This does not affect your statutory rights.

No rights are given under this warranty to a person acquiring the appliance second-hand or for commercial or communal use.

## COPYRIGHT

---

All material in this instruction manual are copyrighted by DOMU Brands.

Any unauthorised use may violate worldwide copyright, trademark, and other laws.

Vonhaus

Vonhaus

Vonhaus

Vonhaus

Vonhaus

Vonhaus

Vonhaus

Vonhaus

Vonhaus

Vonhaus

Vonhaus

Vonhaus

Vonhaus

Vonhaus

Vonhaus

Vonhaus

Thank you for purchasing the 1850W Black Stove Heater.

VonHaus® is a registered trademark of DOMU Brands Ltd  
Made in China for DOMU Brands Ltd M24 2RW