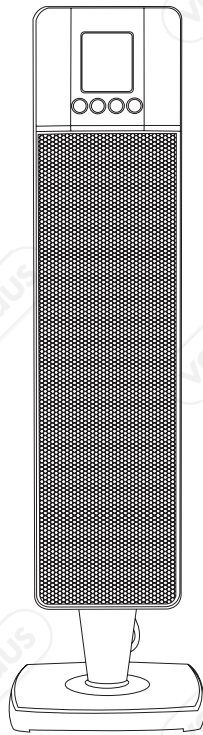


2000W OSCILLATING CERAMIC FAN TOWER HEATER

2514041 - Instruction Manual



THIS PRODUCT IS ONLY SUITABLE FOR WELL INSULATED SPACES OR OCCASIONAL USE.

CONTENTS

Safety Instructions

1

Safety Instructions

2

Safety Symbols

3

Specification

4

Information requirements for Electrical Local Space Heaters

5

Vonhaus

Vonhaus

Vonhaus

Vonhaus

Vonhaus

Vonhaus

Vonhaus

Vonhaus

Base Assembly, Operation

LED Display

Safety Features, Cleaning and Care, Storage

Troubleshooting

Warranty

6
7
8
9
10

Vonhaus

Vonhaus

Vonhaus

Vonhaus

⚠️ WARNING ⚠️

PLEASE READ THESE INSTRUCTIONS CAREFULLY AND KEEP FOR FUTURE REFERENCE

INTENDED USE.

This 2000W Oscillating Ceramic Fan Tower Heater is designed for light domestic use only. It is not intended for heavy duty, commercial or industrial use, and is not suitable for use outdoors.

WARNING! Do not use this appliance to dry clothes.

This appliance cannot be used by children or persons with reduced physical, sensory or mental capabilities or lack of experience and knowledge if they have not been given supervision or instruction concerning use of the appliance in a safe way and understand the hazards involved. Children shall not play with the appliance. Cleaning and user maintenance shall not be made by children without supervision.

Use this appliance only as described in this manual. Any other use is not recommended by the manufacturer and may cause fire, electric shock or injury.

PRIOR TO USE.

Remove the packaging and make sure that the appliance is intact. If in doubt, do not use the appliance and contact DOMU Brands Customer Services.

Do not leave packaging materials such as bags and staples within reach of children.

Dispose of packaging carefully and with consideration for the environment.

It is recommended that you retain the appliance box for seasonal storage.

For your convenience, record the date you received the appliance on the 'Warranty' page of these instructions and attach your proof of purchase. Retain this

information in the event that a warranty service is required.

SAFETY INFORMATION.

When using any electrically-powered appliance, basic safety precautions should always be followed to reduce the risk of fire, electrical shock, or injury to persons or property:

CABLES AND PLUGS.

Check to ensure your electricity supply matches that shown on the rating label of the appliance. The appliance must only be used as rated.

Do not operate any appliance with a damaged cord or plug, or after the appliance malfunctions or has been dropped or damaged in any manner. Return to a qualified electrical person for service and repair.

Do not connect the appliance to the mains voltage until completely assembled and adjusted.

Unroll the cord before operating. Operating with a coiled cord may cause overheating and risk of fire.

The use of an extension cord with this appliance is not recommended.

Do not allow the cord to come into contact with the appliance surface during operation.

Do not run the cord under carpeting, mats or rugs etc. Arrange the cord away from traffic areas so that it will not be tripped over.

Do not twist, kink or wrap the cord around the appliance as this may cause the insulation to weaken and split.

Always unplug the appliance when not in use. Do not leave unattended.

WARNING

PLEASE READ THESE INSTRUCTIONS CAREFULLY AND KEEP FOR FUTURE REFERENCE

Always switch off the appliance before unplugging from the power socket.

Always hold the plug when removing it from the wall, do not pull the cord.

CAUTION: In order to avoid a hazard due to inadvertent resetting of the thermal cut-out, this appliance must not be supplied through an external switching device, such as a timer, or connected to a circuit that is regularly switched on and off.

RISK OF PERSONAL INJURY.

Use this appliance only as described in this manual.

Do not use this appliance with any type of external timer.

Always operate upright, on a flat surface only.

This appliance heats up when in use. To avoid burns, do not touch the front of the appliance or any of the grilles or vents.

WARNING! DO NOT COVER.

Do not cover or restrict airflow to the inlet or outlet grilles in any manner as the appliance may overheat and become a fire risk.

To avoid overheating, keep airflow grilles clear of dust and hair build up, especially if you have indoor pets.

Do not cover grilles or block entry or exits of airflow by placing the appliance against any surface.

Keep all objects at least 1 metre from the front, side and rear of the appliance.

Do not insert or allow foreign objects or metal utensils into any ventilation or exhaust openings as this may cause an electric shock, fire or damage to the appliance.

Do not operate the appliance with wet hands.

Do not immerse in liquid or use the appliance near water as this could create an electrical shock hazard.

If the appliance accidentally comes into contact with water, switch off the power supply and do not touch the appliance.

Never attempt to remove the cover of the appliance. Repairs requiring opening the appliance or access to internal parts must be carried out by a qualified electrician or repair service professional. There are no user-serviceable parts of this appliance (excluding the plug fuse).

Before moving the appliance, switch it off by unplugging it from the wall and allowing it to cool.

POSITIONING YOUR HEATER.

This appliance is designed to be placed on a hard, level surface. When positioning, please keep the following points in mind:

- Do not locate in areas of high foot traffic. To avoid accidents, always ensure that the power cord and appliance are in full view.
- If you are placing the appliance in an alcove, make sure that there is at least 150mm of space on all sides to ensure good air circulation.
- Do not fit the appliance in confined spaces such as cupboards or wardrobes.
- Keep hearth rugs and other soft furnishings away from the front of the appliance as this could obstruct the free flow of hot air to the fan and damage both soft furnishings and the appliance.
- Do not operate the appliance in areas where gasoline, paint or other flammable liquids are used or stored.

WARNING

PLEASE READ THESE INSTRUCTIONS CAREFULLY AND KEEP FOR FUTURE REFERENCE

- Do not operate the appliance in bathrooms, laundry areas or similar moist indoor locations. Do not use in the immediate surroundings of a bath, shower or swimming pool.
- The appliance must not be located immediately below or in front of a socket outlet.
- The socket must always be accessible in order to disconnect the appliance from the electrical supply for maintenance.

ATTENTION

Thank you for purchasing the **Vonhaus 2000W Oscillating Tower Heater (2514041)**.

The following is an important notice regarding the correct use of this product:

The product is fitted with tip-over protection which will cut off power to the appliance should it be accidentally knocked over.

If your heater does not power on, please first ensure that it is in an upright position and on a flat surface

Failure to do so will activate the tip-over protection and the appliance will not operate on uneven surfaces.

SAFETY SYMBOLS

Please ensure you understand their meanings before operating this product in order to prevent personal injury and avoid damage to the appliance.



WARNING!

Pay attention to all safety and guidance



Read manual before use



WARNING!

Do not cover

PRODUCT SPECIFICATION

VOLTAGE

V

220-240V ~ 50Hz

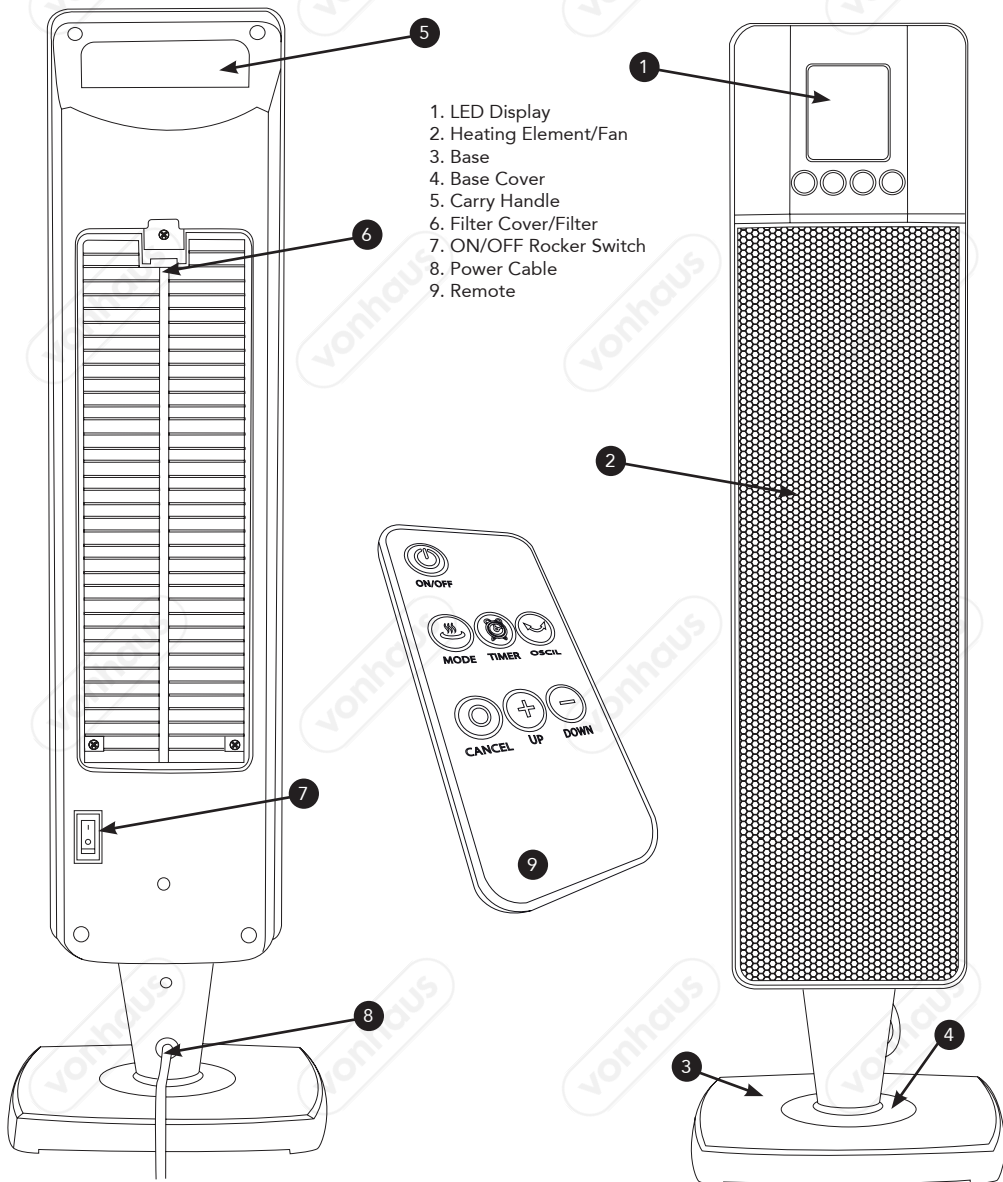
POWER

W

2000

ROTATION
ANGLE

70°



INFORMATION REQUIREMENTS FOR ELECTRIC LOCAL SPACE HEATERS

Model		2514041							
Item	Symbol	Value	Unit	Item	Unit				
Heat Output				Type of heat input for Electrical Storage Heaters only (select one)					
Nominal Heat Output	P_{nom}	2.0	kW	Manual heat charge control with integrated thermostat.	n/a				
Minimum Heat Output (indicative)	P_{min}	0	kW	Manual heat charge control with room and/or outdoor temperature feedback.	n/a				
Maximum Continuous Heat Output	P_{max}	2.0	kW	Electronic heat charge control with room and/or outdoor temperature feedback	n/a				
Auxiliary electricity consumption				Fan assisted heat output					
At nominal heat output	EL_{max}	N/A	kW	Type of heat output/room temperature control (select one)					
At minimum heat output	EL_{min}	N/A	kW	Single stage heat output and no room temperature control	no				
In standby mode	EL_{SB}	0.0	kW	Two or more manual stages, no room temperature control	no				
				With mechanical thermostat room temperature control	no				
				With electronic room temperature control	yes				
				Electronic room temperature control plus day timer	no				
				Electronic room temperature control plus week timer	no				
				Other control options (multiple selections possible)				room temperature control with presence detection	no
				room temperature control with open window detection	no				
				with distance control option	no				
				with adaptive start control	no				
				with working time limitation	no				
				with black bulb sensor	no				
Contact Details		DOMU Brands Ltd, 4th & 5th Floor, The Tower, Deva City Office Park, Salford, M3 7BF							

BASE ASSEMBLY



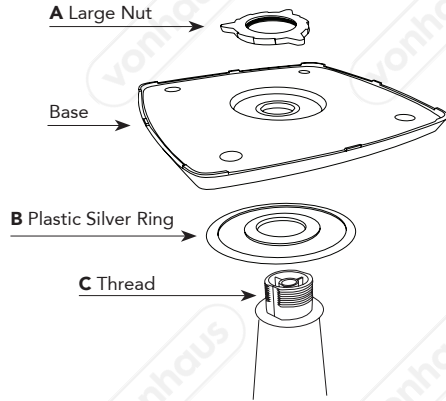
CAUTION: This product is fitted with tip-over protection. The product will not operate unless it is in the upright position.



Remove the Oscillating Tower Heater and the Base (3) from the box. Holding the Heater upside down, locate the Large Nut (A) on the Base and unscrew and remove.

Take the Plastic Silver Ring (B) and place this face-down over the Thread (C). Next, take the Base, ensure the hole matches up with the Thread and place over.

Secure all parts in place using the Large Nut. Tighten to secure.



OPERATION

USING THE REMOTE

NOTE: Pull away the small plastic tab located on the bottom of the Remote (9) to activate the battery.

The Remote has 7 functions:

1. **ON/OFF** - To power the unit on/off (in between standby and on).

NOTE: This will only work when the ON/OFF Rocker Switch (7) is on.

NOTE: When the Heater is powered off, the fan will run for approximately 30 seconds before powering off completely.

2. **MODE** - Changes the power settings:

- Fan-only
- Low power - 1000W
- High power - 2000W

3. **TIMER** - The timer function allows you to set the length of operation for up to **8 hours** for automatic switch off.

Pressing the 'TIMER' button increases the length of operation by **1 hour** each time the button is pressed.

Once the timer has been set, it will count down the hours in 1 hour intervals; when the time reaches zero, the Heater will automatically switch off and enter standby mode.

Pressing the 'TIMER' button once more when the display shows 8 hours will reset the Heater to run continuously.

4. **OSCILLATING** - Switches the oscillating function on or off.

5. **CANCEL** - Cancels the current setting and resets to the pre-set temperature of 25°C.

6. **UP** - Increases the temperature in 1° increments.

7. **DOWN** - Decreases the temperature in 1° increments.

USING THE HEATER

Use the ON/OFF Rocker Switch (7) on the rear of the Heater to switch it on.

Press the 'ON/OFF' button. The Heater will switch on from standby and will begin to heat up to the pre-set temperature of 25°.

NOTE: If the room temperature is higher than the pre-set temperature, only the fan will operate.

The Heater will cycle on and off to maintain the pre-set temperature. **This is not a fault with the appliance.**

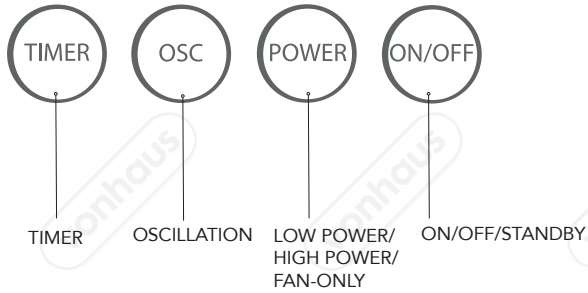
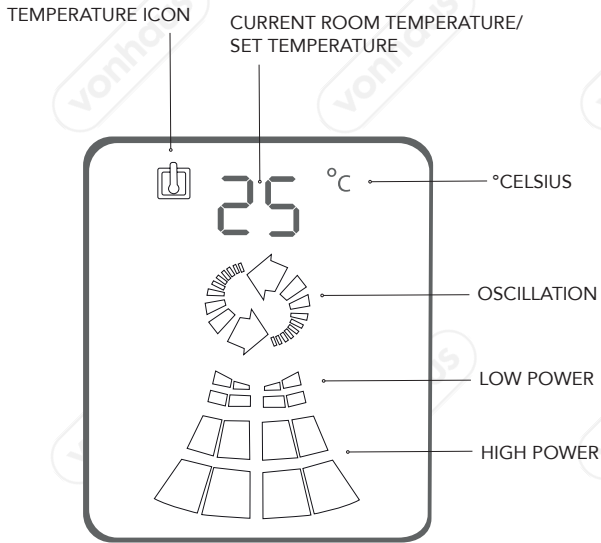
To set the heating power, or to use the fan-only mode, press the 'MODE' button to cycle through low heat, high heat or fan-only settings.

To set the temperature, press the + or - buttons to increase or decrease to the desired temperature.

The LED Display (1) will show the chosen temperature before reverting back to showing the room temperature.

Once the room reaches the set temperature, the Heater will cycle on and off to maintain this temperature.

LED DISPLAY



SAFETY FEATURES

This Heater is fitted with an **overheat protection switch** (thermal cut-out) which will power off the appliance automatically in case of overheating. Should this occur, unplug the appliance and allow to cool fully for approximately 30 minutes.

Follow the operation instructions to restart the appliance after removing the source of the overheating (poor ventilation, item covering the heater etc.). The Heater should function normally. Should the problem persist, please contact DOMU Brands Customer Services.

To avoid damage and to regulate the temperature, this Heater is fitted with a **thermostatic safety device**. The safety device will activate and cut out the power to the Heater once a certain temperature is reached. The Heater will start again once the temperature has lowered.

The Heater is also fitted with a **tip switch** which will cut off the power to the Heater if it is knocked over. Should this happen, disconnect at the mains and allow to cool fully before attempting to move the Heater. Inspect the Heater for damage. If - and only if - the Heater is free from damage, plug back into the mains. The Heater should function normally.

CLEANING AND CARE

IMPORTANT: Turn off the Heater. Switch off the ON/OFF Rocker Switch and disconnect from the power socket. Wait for the Heater to be completely cool before cleaning.

Vacuum-clean air vents and grilles to remove dust from these areas.

To remove dust on external surfaces, wipe the Heater with a damp (not wet) lint-free cloth rinsed in hot soapy water only.

CAUTION: Do not use any harsh detergents or abrasive cleaners.

WARNING! Do not spray with any liquids or submerge in liquid or water.

WARNING! Do not attempt to clean the interior of the Heater. Do not attempt to open the casing at any time. There are no user-servicable parts.

Remove the Filter **(6)** and clean regularly. To remove the Filter, locate the 3 small screws on the rear of the Heater, remove the Filter Cover and Filter and rinse the Filter using clean water. Leave to dry completely before replacing.

CAUTION: Ensure the Filter is completely dry before returning it to the Heater. Failure to follow this instruction could damage the product, invalidating any warranty.

STORAGE

Store the Heater carefully in a dust-free area during the off season.

It is ideal to store the Heater in the box in which it was supplied.

Neatly wind the cord of the Heater to prevent damage.

TROUBLESHOOTING

PROBLEM	SOLUTION
THE HEATER WILL NOT POWER ON	Ensure the Heater is switched on and connected to mains power. Check the fuse and replace if necessary.
THE HEATER IS NOT HEATING UP	Check that the Heater is plugged in and switched on at the mains outlet. The Vents may require cleaning. Thermal fuse may have operated.
THE HEATER BECOMES DAMAGED	Do not use and contact DOMU Brands Customer Services.

If you are having difficulty using this product and require support, please contact hello@domu.co.uk

DISPOSAL INFORMATION

Please recycle where facilities exist. Check with your local authority for recycling advice.

CUSTOMER SERVICE

If you are having difficulty using this product and require support, please contact hello@domu.co.uk

WARRANTY

To register your product and find out if you qualify for a free extended warranty please go to

www.Vonhaus.com/warranty.

Please retain a proof of purchase receipt or statement as proof of the purchase date.

The warranty only applies if the product is used solely in the manner indicated in the Warnings page of this manual, and all other instructions have been followed accurately. Any abuse of the product or the manner in which it is used will invalidate the warranty.

Returned goods will not be accepted unless re-packaged in its original packaging and accompanied by a relevant and completed returns form. This does not affect your statutory rights.

No rights are given under this warranty to a person acquiring the appliance second-hand or for commercial or communal use.

COPYRIGHT

All material in this instruction manual are copyrighted by DOMU Brands.

Any unauthorised use may violate worldwide copyright, trademark, and other laws.

VonHaus.com

Thank you for purchasing the 2000W Oscillating Ceramic
Fan Tower Heater

VonHaus® is a registered trademark of DOMU Brands Ltd
Made in China for DOMU Brands Ltd M24 2RW

VonHaus