



ELECTRIC LAWN MOWER

Product Instructions

Product No. 2515382.1

vonhaus

Let's get started!

Visit our product hub for useful tips and tricks on getting the most out of your new product.

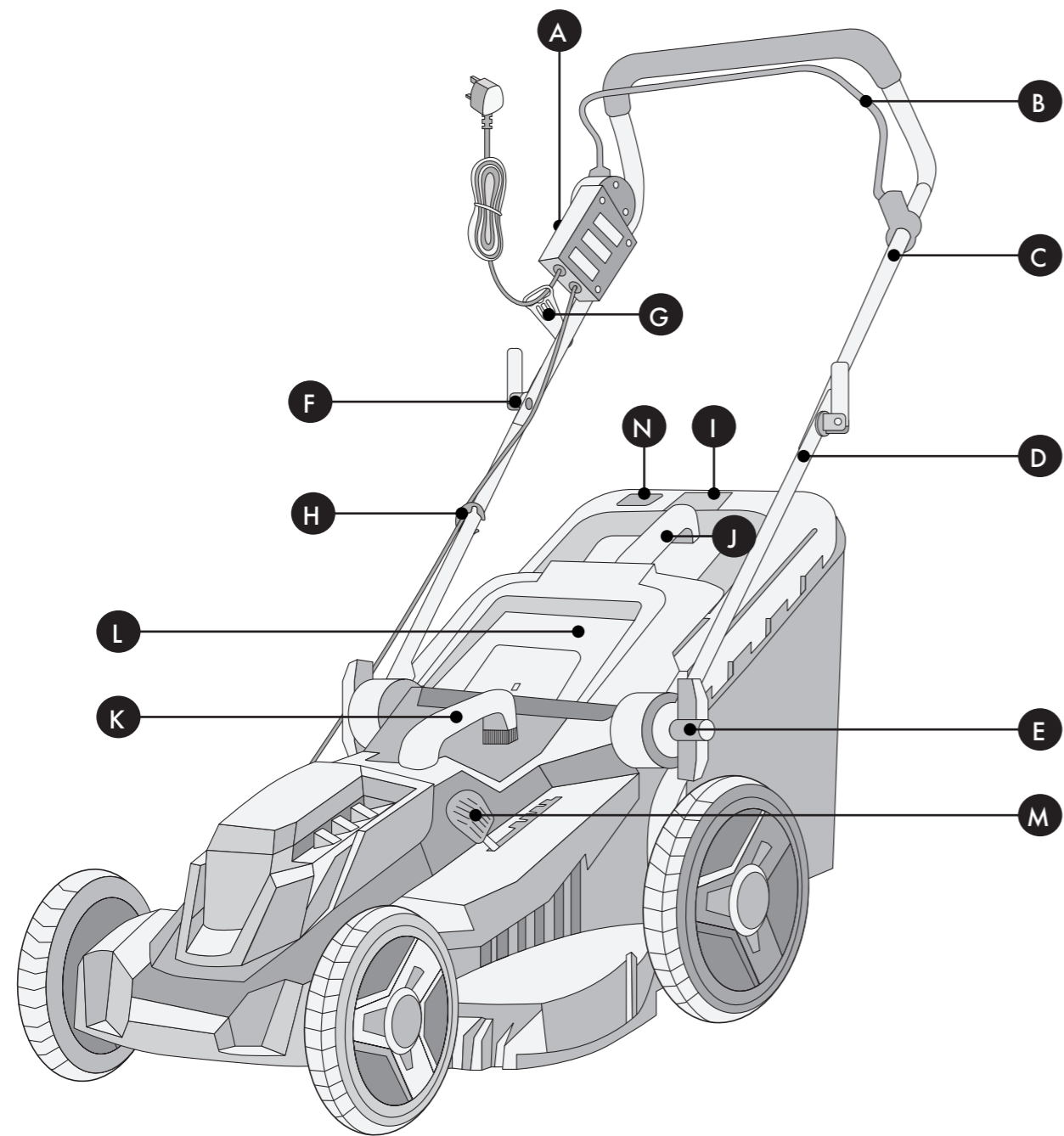
SCAN ME



Need further help?
support@vonhaus.com

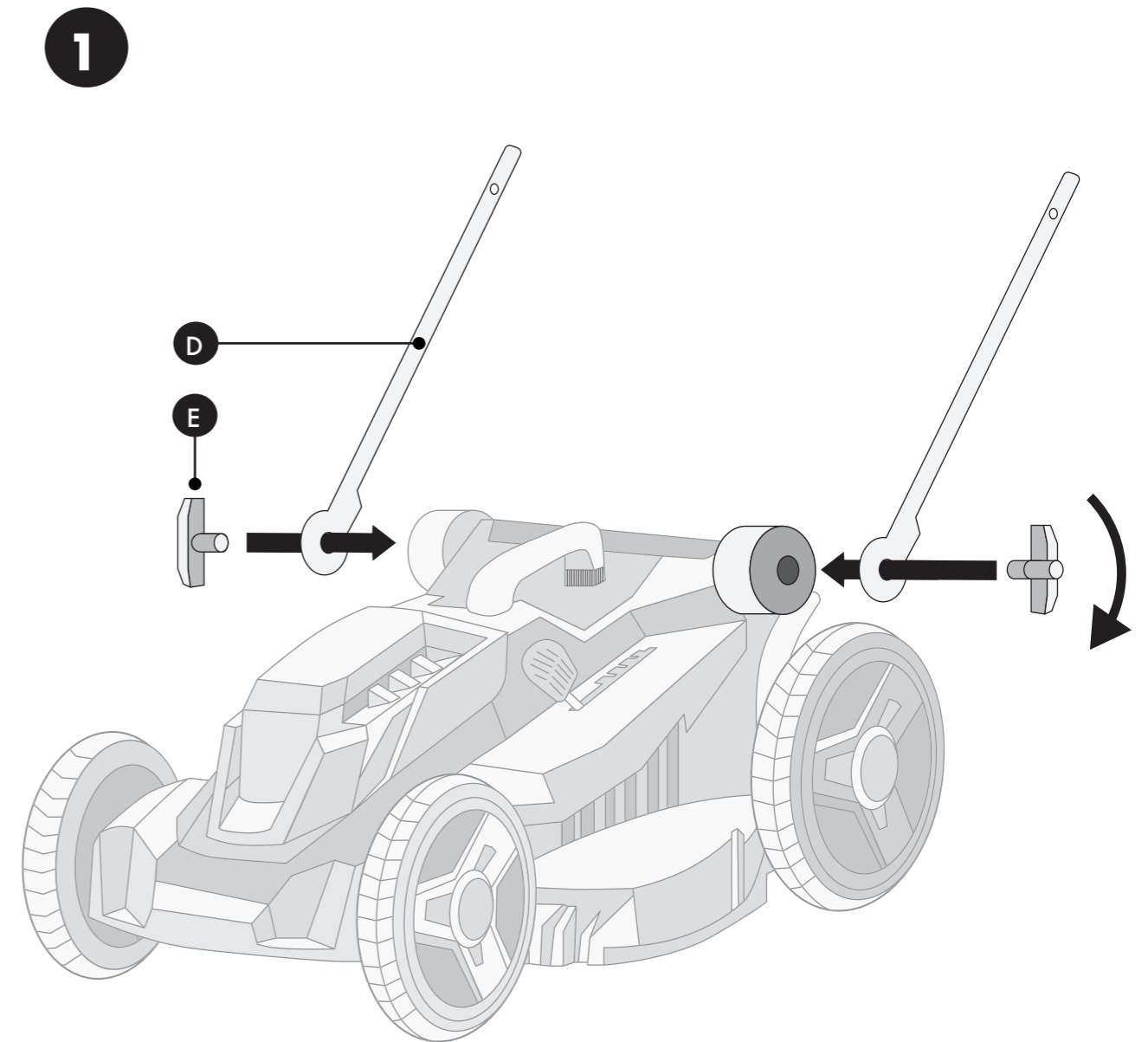
See our full range at
www.vonhaus.com

Product Diagram



- A. Safety Button
- B. Switch Lever
- C. Upper Support Bars
- D. Lower Support Bars
- E. Locking Knob Assembly 2x
- F. Wing Nut 2x
- G. Cable Relief
- H. Wire Clip
- I. Grass Collection Basket
- J. Grass Collector Handle
- K. Carry Handle
- L. Rear Flap
- M. Cutting Height Adjustment Lever
- N. Grass Indicator

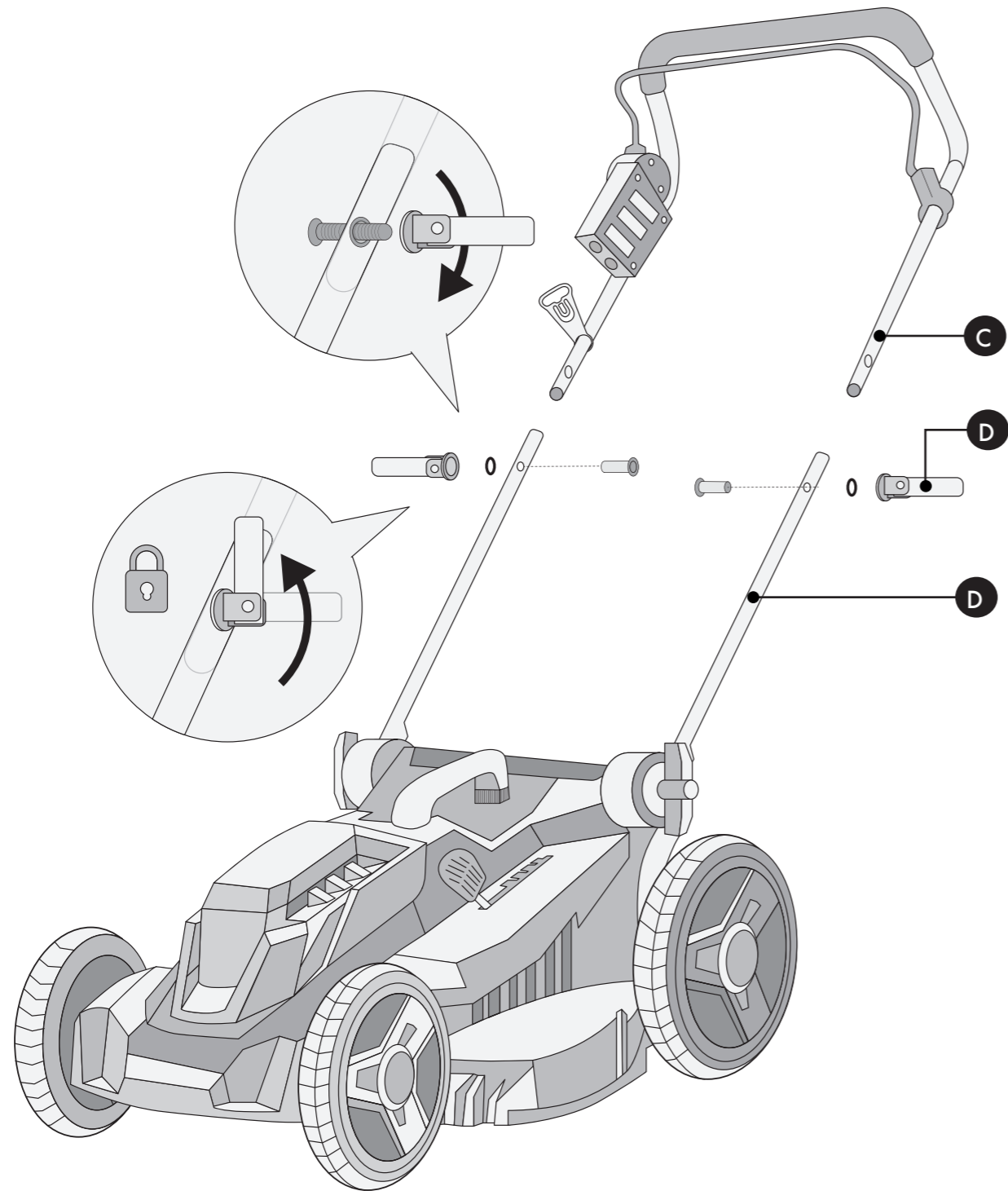
Assembly



The **LOWER SUPPORT BARS (D)** are fixed on the main unit through the engagement of the teeth on the **LOCKING KNOB ASSEMBLY (E)**. Rotate to lock.

Assembly

2



Connect the LOWER SUPPORT BARS (D) with the UPPER SUPPORT BARS (C) using the WING NUTS (F)

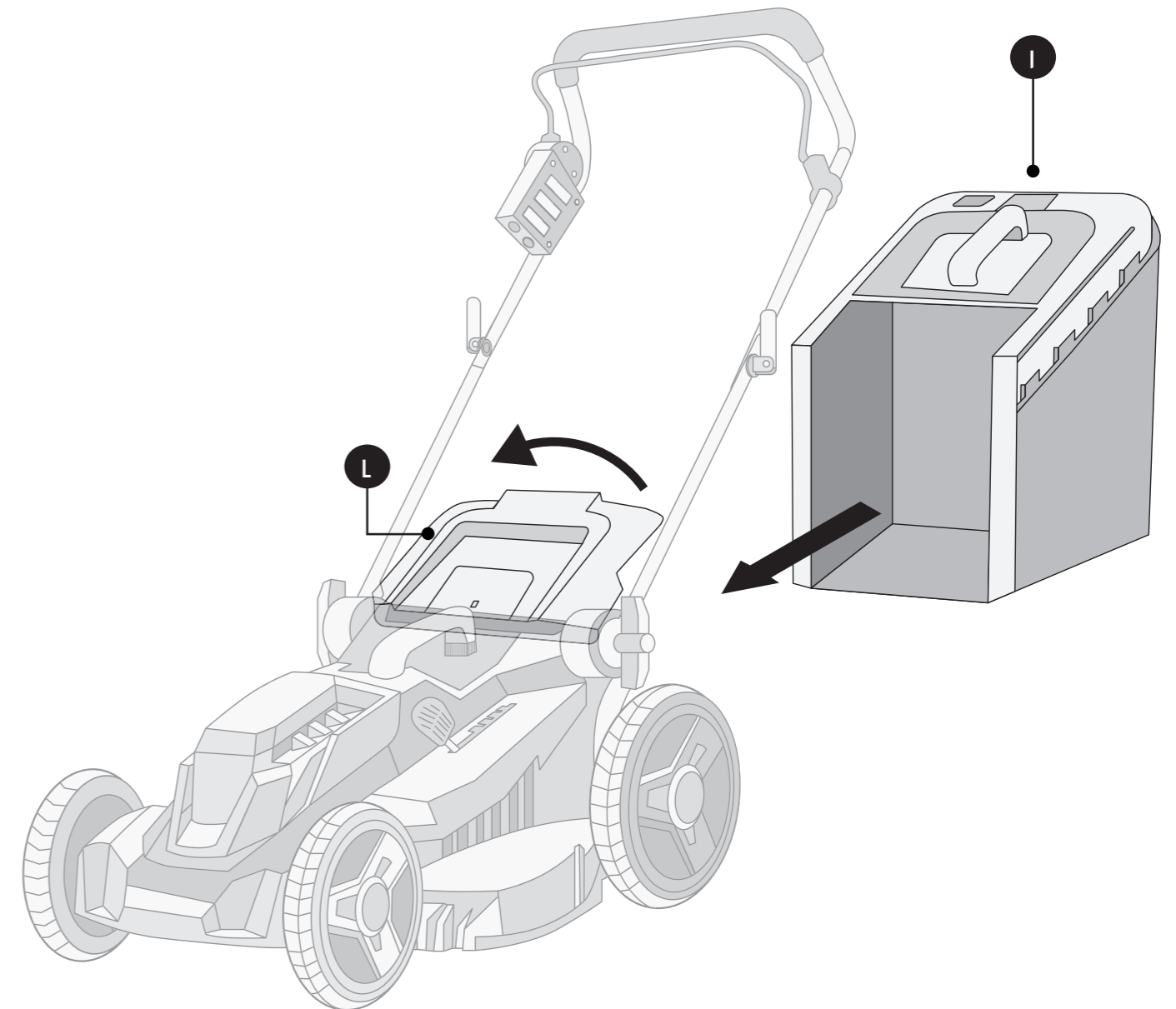


NOTE: The CABLE RELIEF (G) should be added to the UPPER SUPPORT BARS (C) before assembling the support bars.

Assembly

3

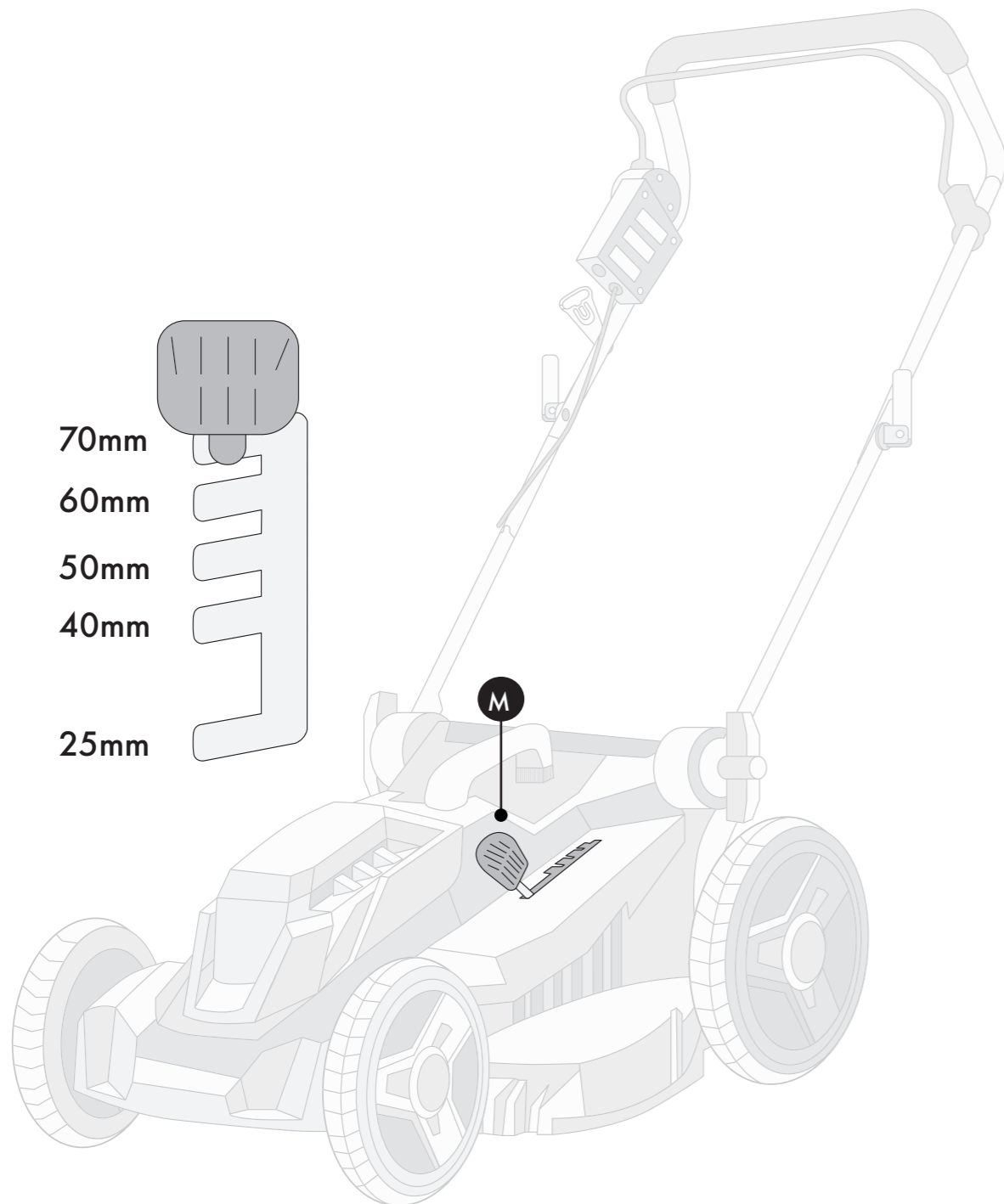
To attach to the GRASS COLLECTION BASKET (I) to the lawnmower, lift the REAR FLAP (L) and hook into place on the mounting points at the rear of the lawnmower.



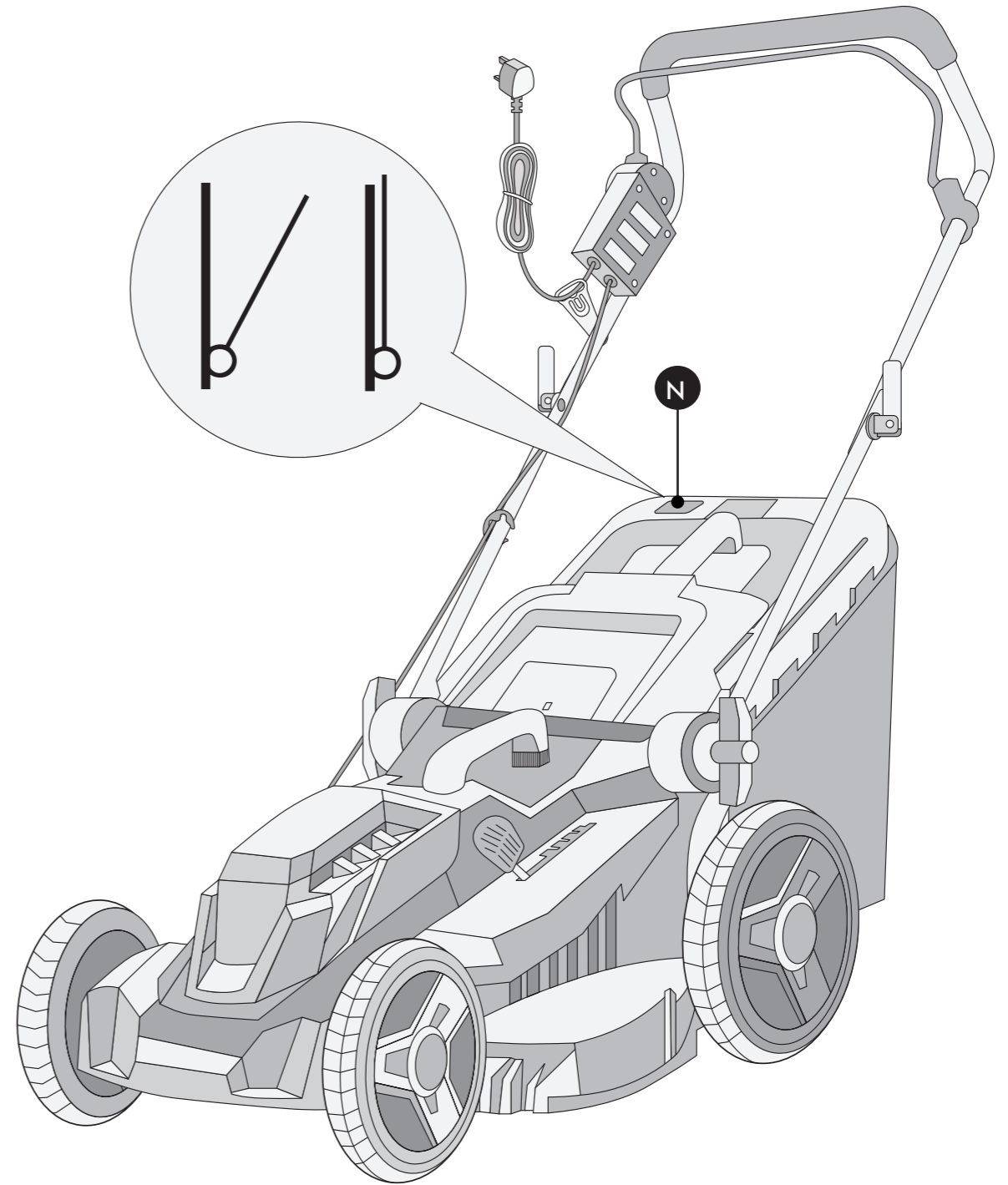
Adjusting the Cutting Height

When mowing high grass, start with the maximum cutting height and make a second cut with a lower cutting height.

1. Pull the **CUTTING HEIGHT ADJUSTMENT LEVER (M)** towards the rear wheel.
2. Moving the **CUTTING HEIGHT ADJUSTMENT LEVER (M)** towards the front will lower the ride height giving a closer cut.



Grass Indicator



The **GRASS INDICATOR (N)** is equipped with a hatch that indicates the filling during operation.

When the hatch closes, the grass collector is full and must be emptied.

When the hatch opens during operation, the grass collector has sufficient volume left to collect grass.

Replacing the Blade

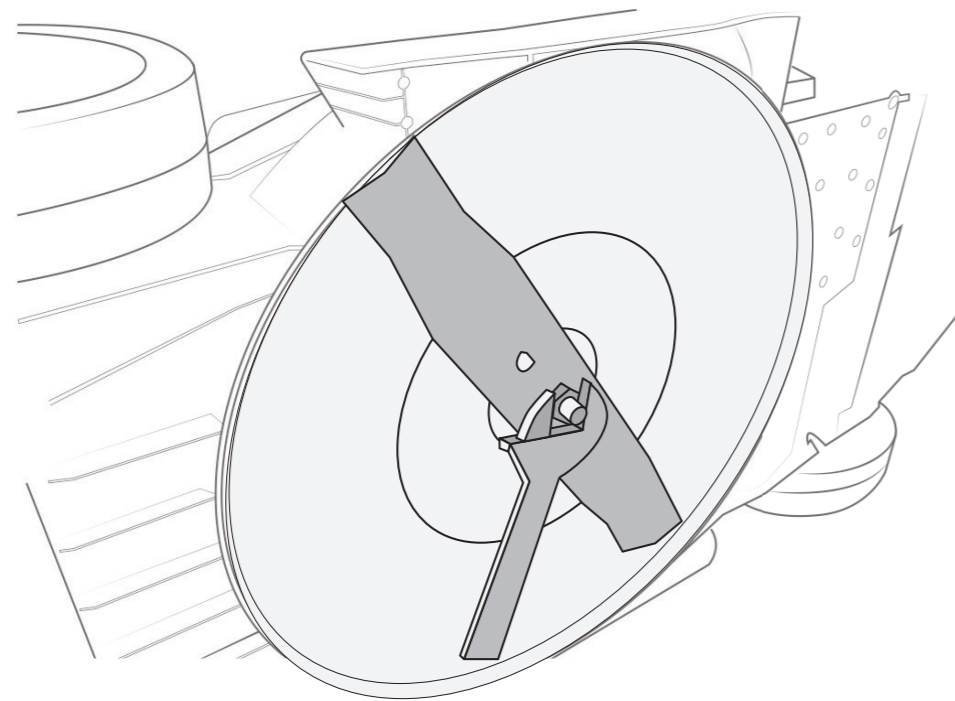
Note: Replace this cutting blade after 50 hours mowing or 2 years whichever is sooner regardless of condition. If the cutting blade is cracked or damaged, you must immediately replace it with a new one.

Important: Disconnect the lawnmower from the mains and wait until the blade has stopped rotating before proceeding. Use heavy-duty gloves or a cloth to grip the blade

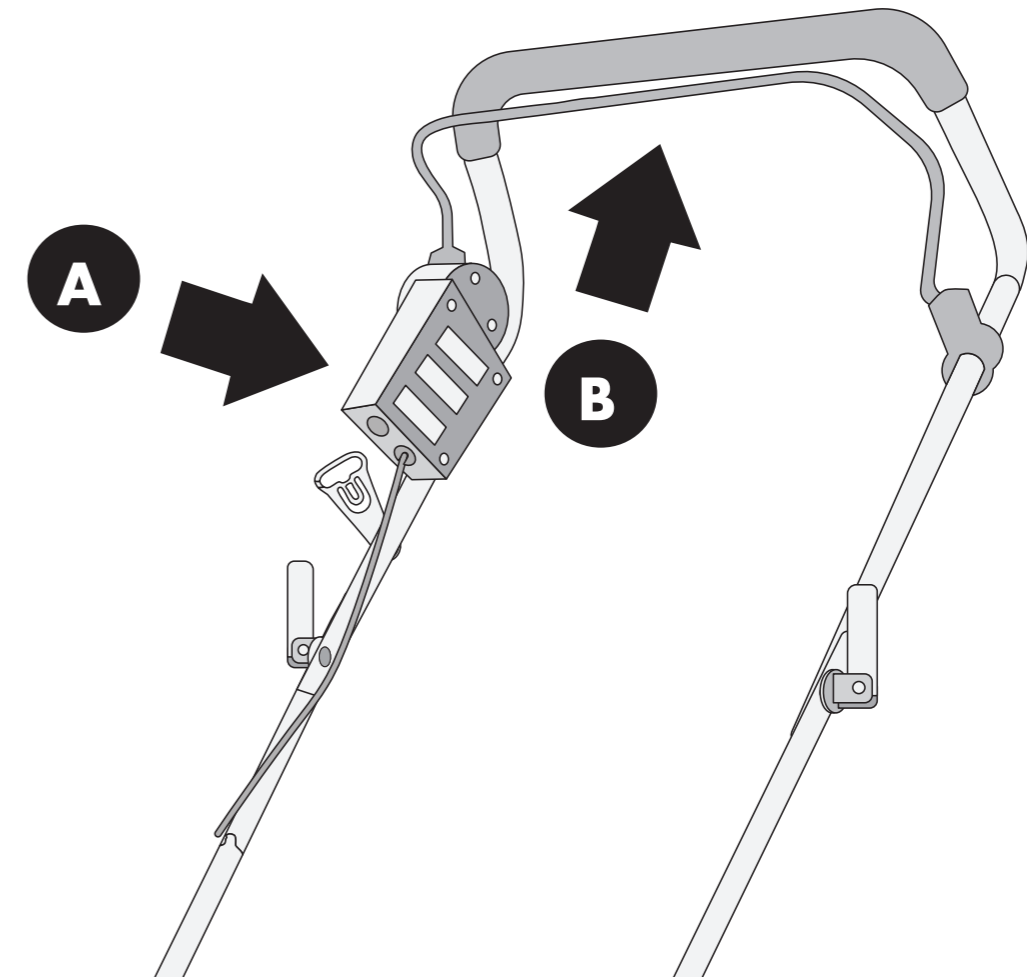
1. Loosen the hex nut anti-clockwise using a

suitable wrench (Size 16 mm) and remove it together with the cutting blade, the flat washer and the spring washer.

2. Replace the cutting blade with a new one of the same type.
3. Check the status of flange onto the spindle firstly, then attach the cutting blade, the flat washer, the spring washer and the hex nut in the correct order.
4. Tighten the hex nut clockwise with 45 Nm min, 50 Nm max to ensure safe operation of your product.



Turning On/Off



Instructions

1. Press and hold **SAFETY BUTTON (A)** then squeeze the **SWITCH LEVER (B)** towards the handle.
2. Release the **SAFETY BUTTON (A)**.
3. To stop the lawnmower, release the **SWITCH LEVER (B)**

IMPORTANT

To prevent the machine switching on accidentally, the lawnmower is equipped with a **SAFETY BUTTON (A)** which must be pressed before the **SWITCH LEVER (B)** can be activated.

The lawnmower switches itself off when the switch is released.

We recommend you repeat this process several times with the blade removed so that you familiarise yourself with this functionality.

Turning On/Off

Instructions

NOTE: Release the switch to turn the mower off when crossing any graveled area (stones can be thrown by the blade).

IMPORTANT

The ground speed should be adjusted to the condition of the lawn.

If the grass is longer than 4" (10 cm), mow the lawn twice to reduce the grass height to a maximum of 3¼" (8.3 cm).

Walk at a steady pace. Overlap the cutting rows. Do not let the grass get too tall. If the grass gets too long, start at the highest cutting position and work down.

Information

Disconnect the lawnmower from the mains and wait until the blade has stopped rotating before proceeding.

Use heavy-duty gloves or a cloth to grip the blade.

Keep all air vents and the motor housing free of dirt and dust where possible.

Wipe the equipment with a clean cloth or clean with compressed air at low pressure.

We recommend that you clean the lawnmower immediately each time you have finished using it.

Clean the equipment regularly with a moist cloth and some soft soap. Do not use cleaning agents or solvents; Ensure to prevent water ingress into the motor.

Blade Maintenance

Regularly remove grass and dirt from the blade.

At the beginning of the season, carefully examine the condition of the blade.

- If the blade is blunt, sharpen or replace the blade.
- If the blade is damaged or worn, fit a new blade.

General Precaution

Do not allow to be used as a toy. Children should be supervised to ensure they don't play with the tool. If not functioning properly, has been dropped, damaged, left outdoors, or immersed in liquid, contact Customer Services. Do not use if any parts appear faulty, missing or damaged. Ensure all parts are securely attached before use.

Risk of Personal Injury

Avoid body contact with earthed surfaces such as pipes, radiators, ranges and refrigerators to reduce electric shock risk.

Prevent unintentional starting. Ensure the switch is off before connecting to power source, picking up or carrying the tool.

Do not operate in explosive atmospheres with flammable liquids, gases or dust.

Always wear safety goggles. Tools can throw debris that may cause eye injury.

Do not expose tools to rain or wet conditions. Stay alert and use common sense when operating. Do not use while tired or under the influence of drugs, alcohol or medication.

Use protective equipment such as dust mask, non-skid safety shoes, hard hat, or hearing protection as appropriate.

Remove any adjusting key before turning the tool on.

Keep proper footing and balance at all times. Dress appropriately. Don't wear loose clothing or jewelry. Keep hair, clothing and gloves away from moving parts.

Connect dust extraction facilities when provided.

Work Area Safety

Keep work area clean and well lit. Don't operate tools in explosive atmospheres with flammable liquids, gases or dust. Keep children and bystanders away while operating.

Information

Tool Use and Care

Don't force the tool. Use the correct tool for your application. Don't use if the switch doesn't turn it on and off. Disconnect the plug before adjustments, changing accessories, or storing. Store idle tools out of children's reach and don't allow unfamiliar persons to operate them.

Maintain tools by checking for misalignment, binding of moving parts, breakage, or any condition affecting operation. Keep cutting tools sharp and clean. Use accessories according to instructions, considering working conditions and the work to be performed.

Cleaning & Maintenance

Never immerse electrical components. Disconnect before adjustments, changing accessories, or storing. Ensure the motor has fully stopped before any maintenance. Check for misalignment or binding of parts. Keep cutting edges sharp.

Regularly check external nuts and fixings. Store out of children's reach in a dry, locked unit. Position the cord to avoid damage. If the power cord is damaged, have it replaced by a qualified technician. Keep ventilation slots and motor housing clean. Clean by wiping with a clean cloth or using low-pressure compressed air.

Before Assembly

Ensure you have all pieces listed. If components are missing, contact support@vonhaus.com.

DO NOT proceed with assembly if any components are missing.

Lawnmower Safety

- Check work area for wire and debris before operating
- Wear substantial footwear and long trousers during operation
- Always use the Grass Catcher unless otherwise specified
- Keep children, pets and bystanders away
- Switch on with feet well away from the blade
- Do not stand in front of discharge opening when starting
- Keep clear of discharge opening
- Do not use if switch doesn't work properly
- Do not tilt when switching on except when necessary for starting
- Keep limbs away from cutting mechanism
- Do not put hands or feet near rotating parts
- Keep hair, clothing, and body parts away from moving parts
- Walk, never run
- Maintain proper footing and balance
- Mow across slopes, never up or down
- Avoid excessively steep slopes
- Use caution when changing direction on slopes
- Do not transport while running
- Stop blade before moving across non-grass surfaces
- If foreign objects become entangled, stop immediately and disconnect
- Stop machine immediately if unusual sounds or vibrations occur

Technical Specification

Rated Voltage 230V - 240V
Rated Power 1600W
Rated Frequency 50Hz

Information

Customer Service

If you are having difficulty using this product and require support, please contact support@vonhaus.com

Warranty

To register your product and find out if you qualify for a free extended warranty please go to www.vonhaus.com/warranty

Please retain a proof of purchase receipt or statement as proof of the purchase date.

The warranty only applies if the product is used solely in the manner indicated in the warnings page of this manual, and all other instructions have been followed accurately.

Any abuse of the product or the manner in which it is used will invalidate the warranty.

Returns

Returned goods will not be accepted unless re-packaged in its original packaging and accompanied by a relevant and completed returns form. This does not affect your statutory rights.

No rights are given under this warranty to a person acquiring the appliance second-hand or for commercial or communal use.

Copyright

All material in this instruction manual are copyrighted by DOMU Brands.

Any unauthorised use may violate worldwide copyright, trademark, and other laws.

Thank You

Thank you for purchasing your product/appliance.

Should you require assistance with your purchase, please contact us at support@vonhaus.com

VonHaus is a registered trademark of DOMU Brands Ltd.

Made in China for DOMU Brands Ltd.
Unit 30, Stakehill Industrial Estate
Middleton, Manchester, M24 2RW

EU Authorised Representative

Authorised Representative Service
77 Camden Street Lower
Dublin, D02 XE80
Ireland

Let's get started!

Visit our product hub for useful tips and tricks on getting the most out of your new product.

SCAN ME

