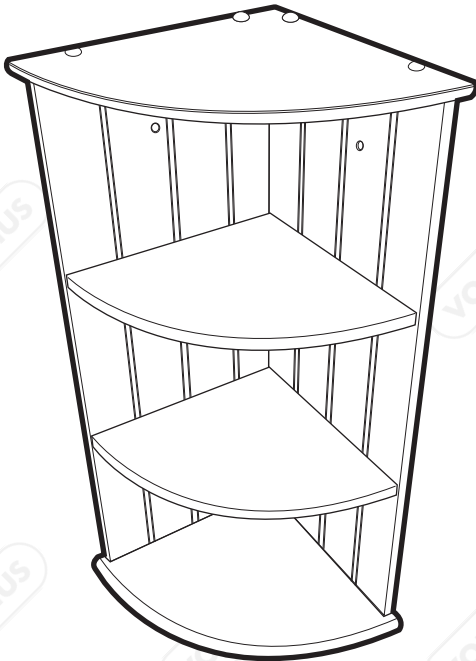


# COLONIAL 3 SHELF CORNER UNIT

3009003 - Instruction Manual



# CONTENTS

---

Safety Instructions

**1**

Components

**2**

Assembly

**3**

Cleaning & Maintenance, Warranty

**4**

# **WARNING**

**PLEASE READ THESE INSTRUCTIONS CAREFULLY AND KEEP FOR FUTURE REFERENCE**

## **IMPORTANT SAFETY INSTRUCTIONS**

The Corner Shelving Unit is intended for indoor use only.

Do not use the Corner Shelving Unit for any purpose other than that for which it is designed.

This product is not a toy. Children should be supervised to ensure they do not play with the product.

**CAUTION:** The assembly pack contains small parts which pose a choking hazard to children and pets. Keep children and pets clear at all times during assembly.

Locate the Corner Shelving Unit in a suitable area where it will not be an obstruction.

This Corner Shelving Unit is water resistant but not waterproof. Any prolonged contact with water can cause the wood to warp or damage the finish.

**CAUTION:** Do not place hot items directly onto the furniture.

**WARNING!** Never stand on, or rest on the product as this can cause damage or injury.

Do not overload the product as this may result in damage to the product or personal injury.

Do not exceed maximum weight capacity of 10kg .

Do not clean the product with any abrasive chemicals, solvents and detergents as this can damage the surface.

Periodically check the fittings and secure as necessary (every 3 months or as required). Re-tighten the fittings 1 week after first assembly.

Take care not to over tighten any fixings as this could damage the product.

Ensure you have sufficient space to assemble the product.

**CAUTION:** Do not use any power tools to assemble the product as this could cause damage to fixings and panels.

## **IMPORTANT WALL FIXING INSTRUCTIONS**

Due to the great variety of wall construction and surface finishes, wall fixings are NOT supplied with this product.

Please assess the wall area where you wish to fix the Shelving Unit and purchase the necessary fixings. If in doubt, please seek expert advice from your local DIY store.

Once the Unit is correctly assembled and suitable wall fixings have been purchased, proceed as follows:

1. Ensure the wall is suitable to withstand the weight of the Shelving Unit.
2. Using a spirit level and pencil (not supplied) mark out the desired position for the unit to be placed. Ensure the markings are completely level.
3. Fit the correct drill bit to a drill (not supplied) and drill the holes for the wall mounting screws purchased.

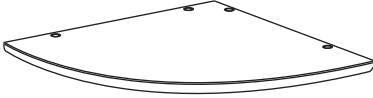
**CAUTION:** Take extra care not to drill through any electrical cables or water pipes.

**NOTE:** A special drill bit is required for drilling into ceramic tiles.

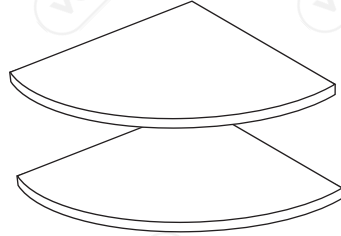
4. Once the holes have been drilled, insert the correct fixings. If you have chosen to mount the 3 Shelf Corner Unit to a ceramic tiled wall, ensure the wall plugs are pushed beyond the depth of the tile.

5. Mount the Shelving unit to the wall through the 4 holes located at each end of the Shelving unit. Ensure the Unit is completely secured before placing any items onto the shelves.

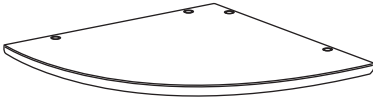
# COMPONENTS



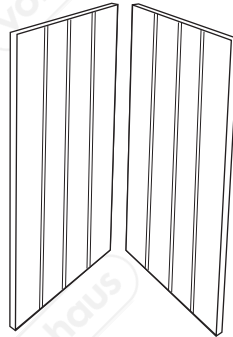
1 x1



2 x2



3 x1

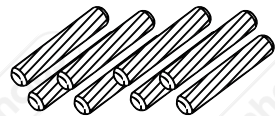


4 x2

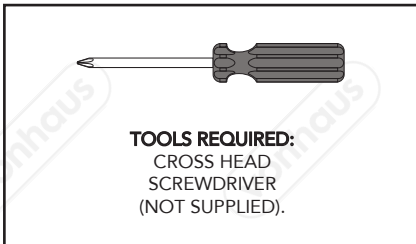
A x8



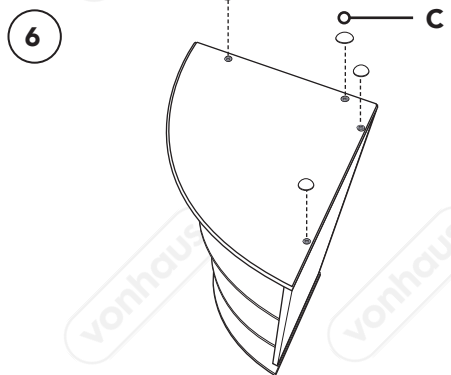
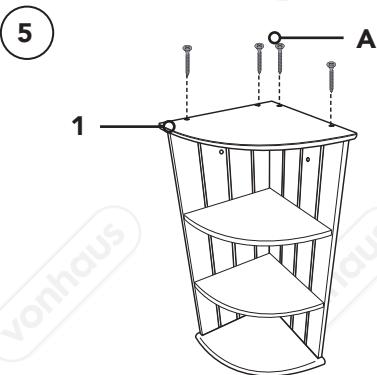
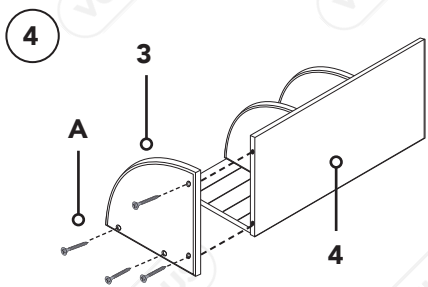
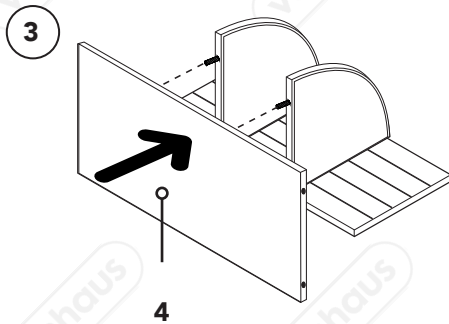
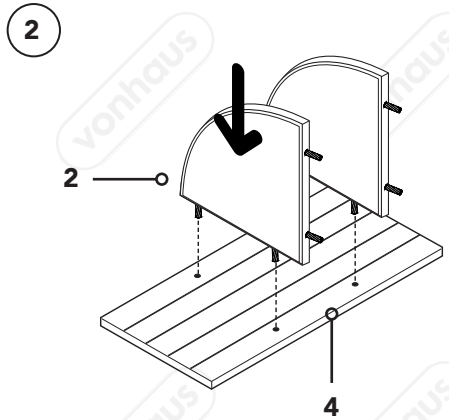
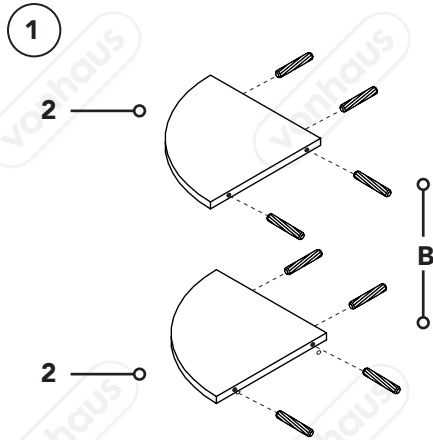
B x8



C x8



# ASSEMBLY



**IMPORTANT:** DO NOT OVER TIGHTEN THE SCREWS AS THIS MAY SPLIT THE WOOD.

# CLEANING

---

- A weekly dust will help shift the filmy layer of airborne deposits that build up over time and can scratch the surface of your Corner Shelving.
- Dampen a clean, dry cloth (non-scratching and preferably microfibre) with water and gently wipe the surface. The moisture will collect the dust and prevent any flyaway dust particles.

**CAUTION:** Avoid using any abrasive cleaning solvents on the Corner Shelving Unit as this may damage the surfaces.

# CUSTOMER SERVICE

---

If you are having difficulty using your product and require support, please contact [hello@domu.co.uk](mailto:hello@domu.co.uk)

# DISPOSAL INFORMATION

---

Please recycle where facilities exist. Check with your local authority for recycling advice.

# WARRANTY

---

To register your product and find out if you qualify for a free extended warranty please go to

[www.Vonhaus.com/warranty](http://www.Vonhaus.com/warranty).

Please retain a proof of purchase receipt or statement as proof of the purchase date.

The warranty only applies if the product is used solely in the manner indicated in the Warnings page of this manual, and all other instructions have been followed accurately. Any abuse of the product or the manner in which it is used will invalidate the warranty.

Returned goods will not be accepted unless re-packaged in its original packaging and accompanied by a relevant and completed returns form. This does not affect your statutory rights.

No rights are given under this warranty to a person acquiring the appliance second-hand or for commercial or communal use.

# COPYRIGHT

---

All material in this instruction manual are copyrighted by DOMU Brands.

Any unauthorised use may violate worldwide copyright, trademark, and other laws.

Thank you for purchasing the Colonial 3 Shelf Corner Unit.

VonHaus® is a registered trademark of DOMU Brands Ltd  
Made in China for DOMU Brands Ltd M24 2RW.

**VonHaus®**