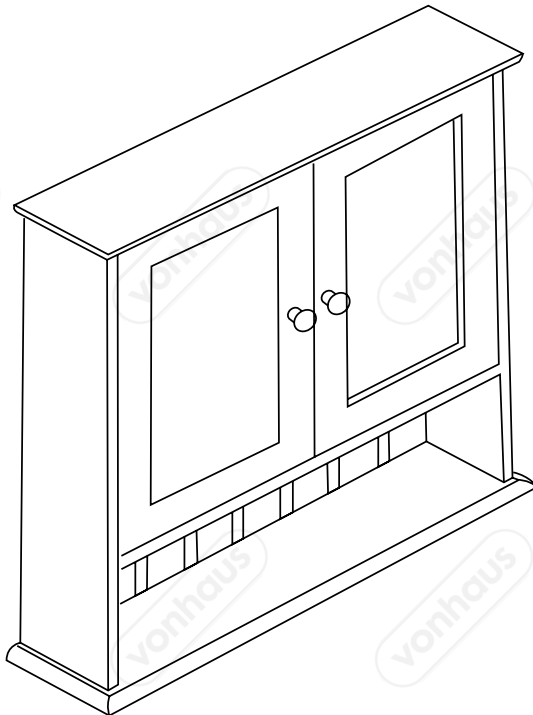


COLONIAL MIRRORED CABINET

3009005 - Instruction Manual



CONTENTS

Safety Instructions

1

Components

2

Hardware

3

Assembly

4

Assembly

5

Assembly

7

Warranty

8

⚠️ WARNING ⚠️

PLEASE READ THESE INSTRUCTIONS CAREFULLY AND KEEP FOR FUTURE REFERENCE

IMPORTANT SAFETY INSTRUCTIONS

Do not use the Mirrored Cabinet for any purpose other than that for which it is designed.

This product is not a toy. Children should be supervised to ensure they do not play with the product.

CAUTION: The assembly pack contains small parts which pose a choking hazard to children and pets. Keep children and pets clear at all times during assembly.

This Mirrored Cabinet is water resistant but not waterproof any prolonged contact with water can cause the wood to warp or damage the finish.

CAUTION: Do not place hot drinks directly onto the furniture.

WARNING! Never stand on, or rest on the product as this can cause damage or injury.

Do not overload the product as this may result in damage to the product or personal injury.

Do not exceed maximum weight capacity of 5kg .

Do not clean the product with any abrasive chemicals, solvents and detergents as this can damage the surface.

Periodically check the fittings and secure as necessary (every 3 months or as required). Re-tighten the fittings 1 week after first assembly.

Take care not to over tighten any fixings as this could damage the product.

Always assemble near to the area to be installed/placed.

Ensure you have sufficient space to assemble the product.

CAUTION: Do not use any power tools to assemble the product as this could cause damage to fixings and panels.

WALL MOUNTING

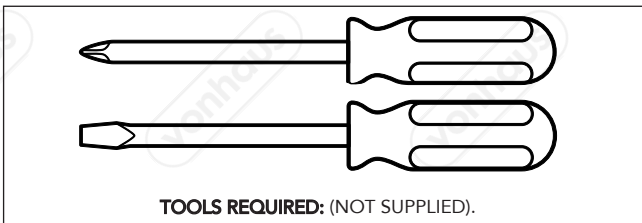
Due to the great variety of wall construction no fixings are supplied with this product.

Please assess the wall where the Cabinet is to be mounted and purchase the necessary fixings suitable, if any doubt please seek expert advice from your local DIY store.

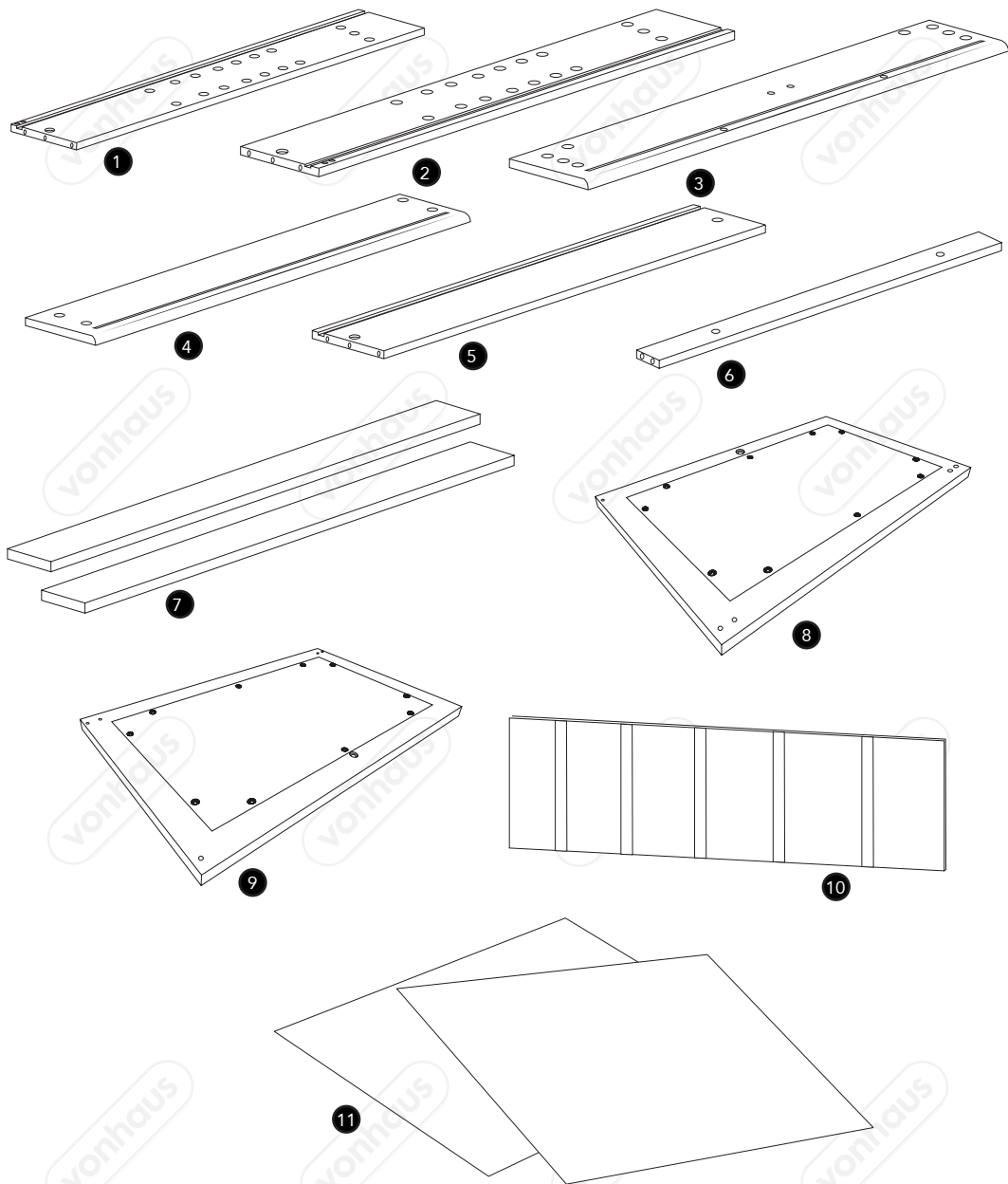
Ensure the supporting surface will safely support the combined weight of the equipment and all hardware and supporting components before installation. If unsure, contact a qualified contractor for guidance.

1. Ensure the wall is clean.
2. Mark the desired position with a pencil, use a spirit level if required, to ensure it is level.
3. Use the correct drill bit for the type of wall (ensure you do not drill into electrical cables/water pipes).
4. Once the hole has been drilled, insert the correct fixing. If fixing to ceramic tiles.

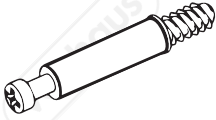
Ensure the wall plugs, are pushed in beyond the depth of the tiles.



COMPONENTS



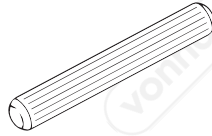
HARDWARE



A X4



B X4



C X14



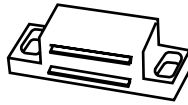
D X4



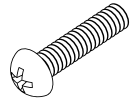
E X10



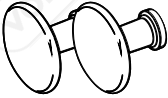
F X2



G



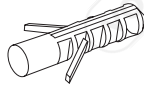
H X2



I X2



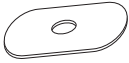
J X2



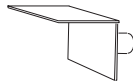
K X2



L X4



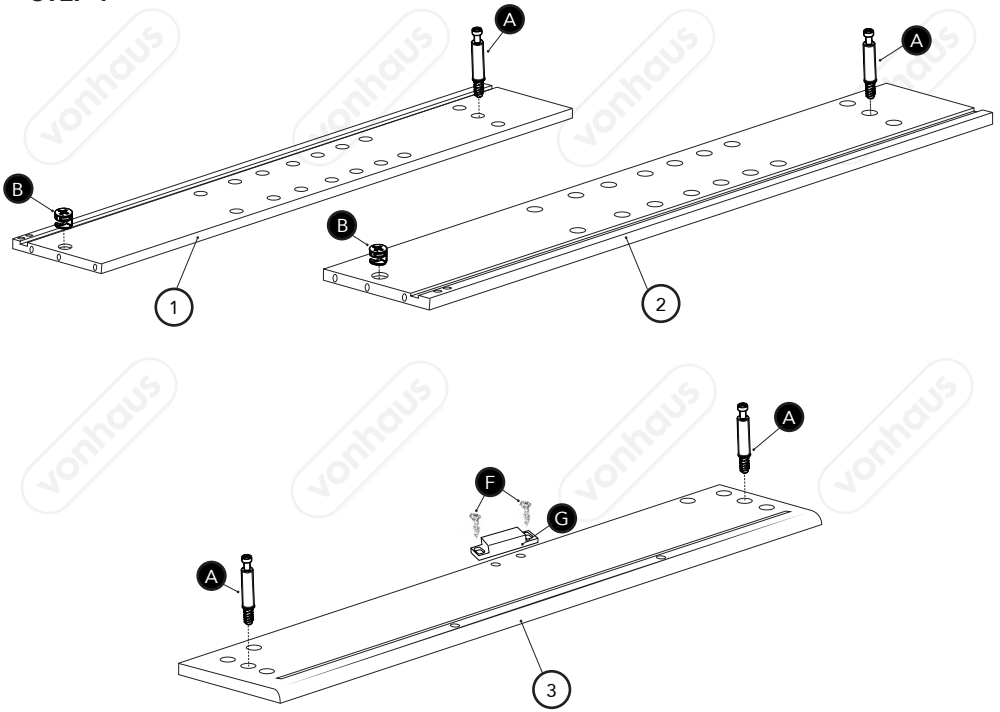
M X2



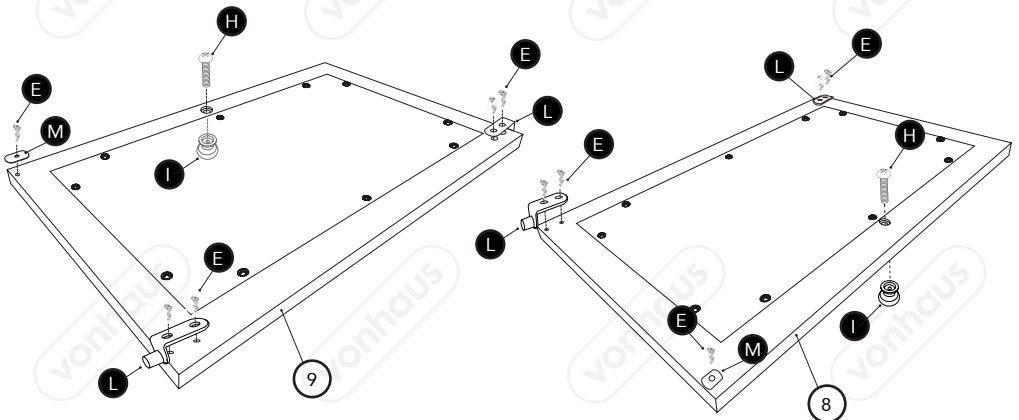
N X8

ASSEMBLY

STEP 1

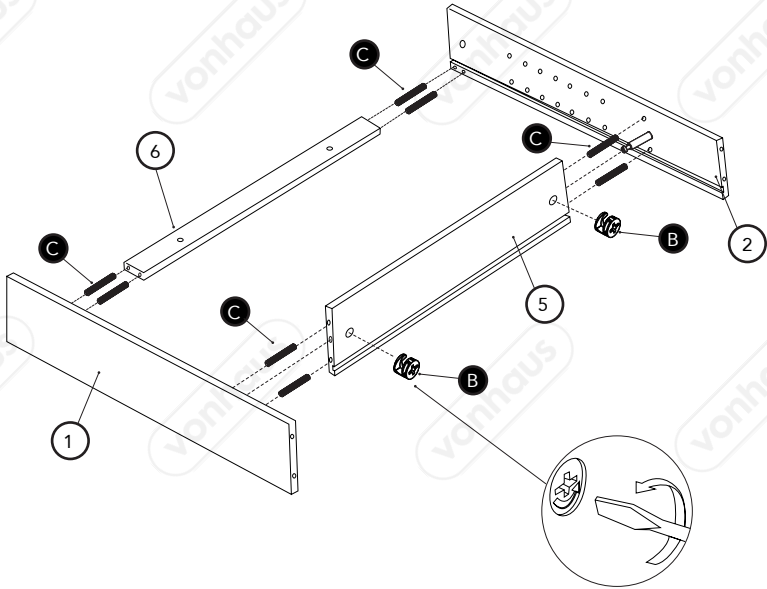


STEP 2

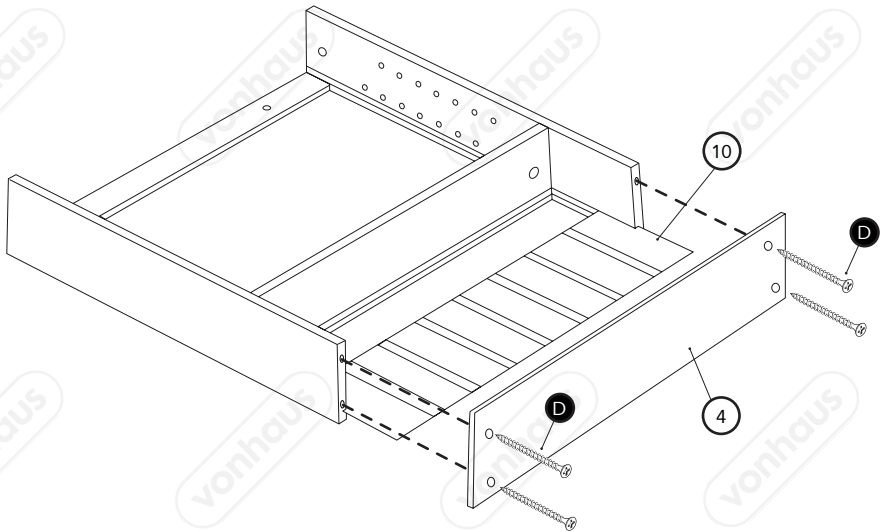


ASSEMBLY

STEP 3

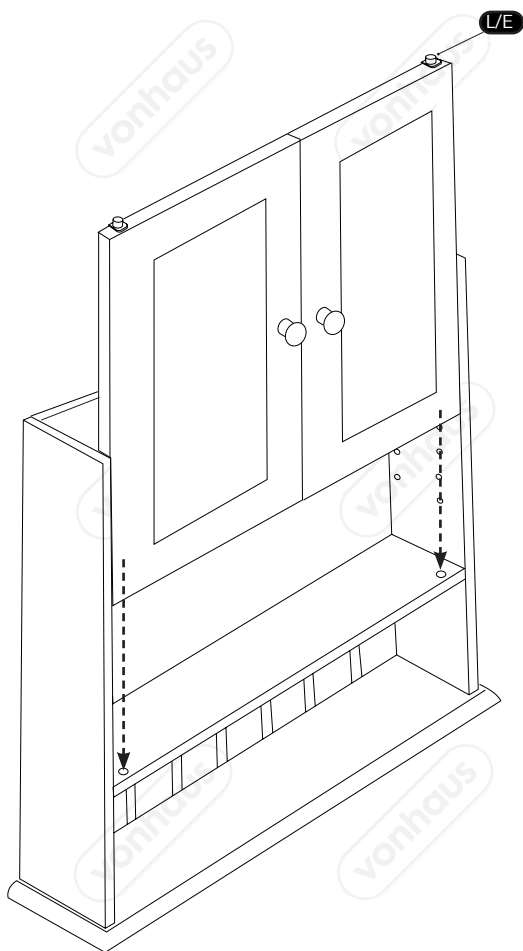
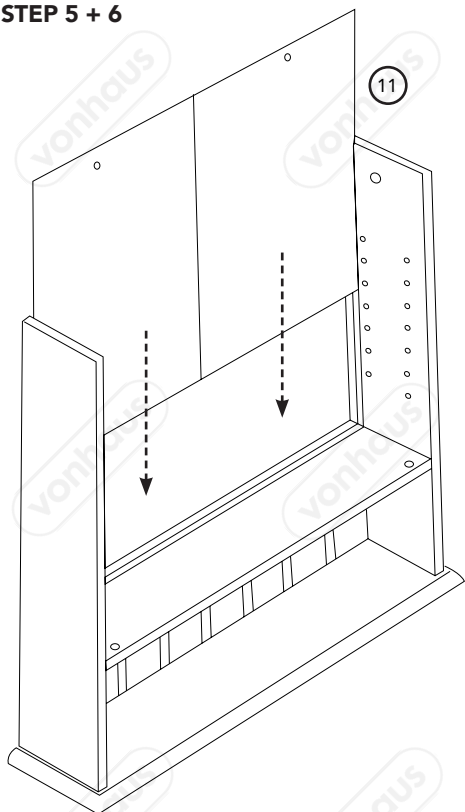


STEP 4



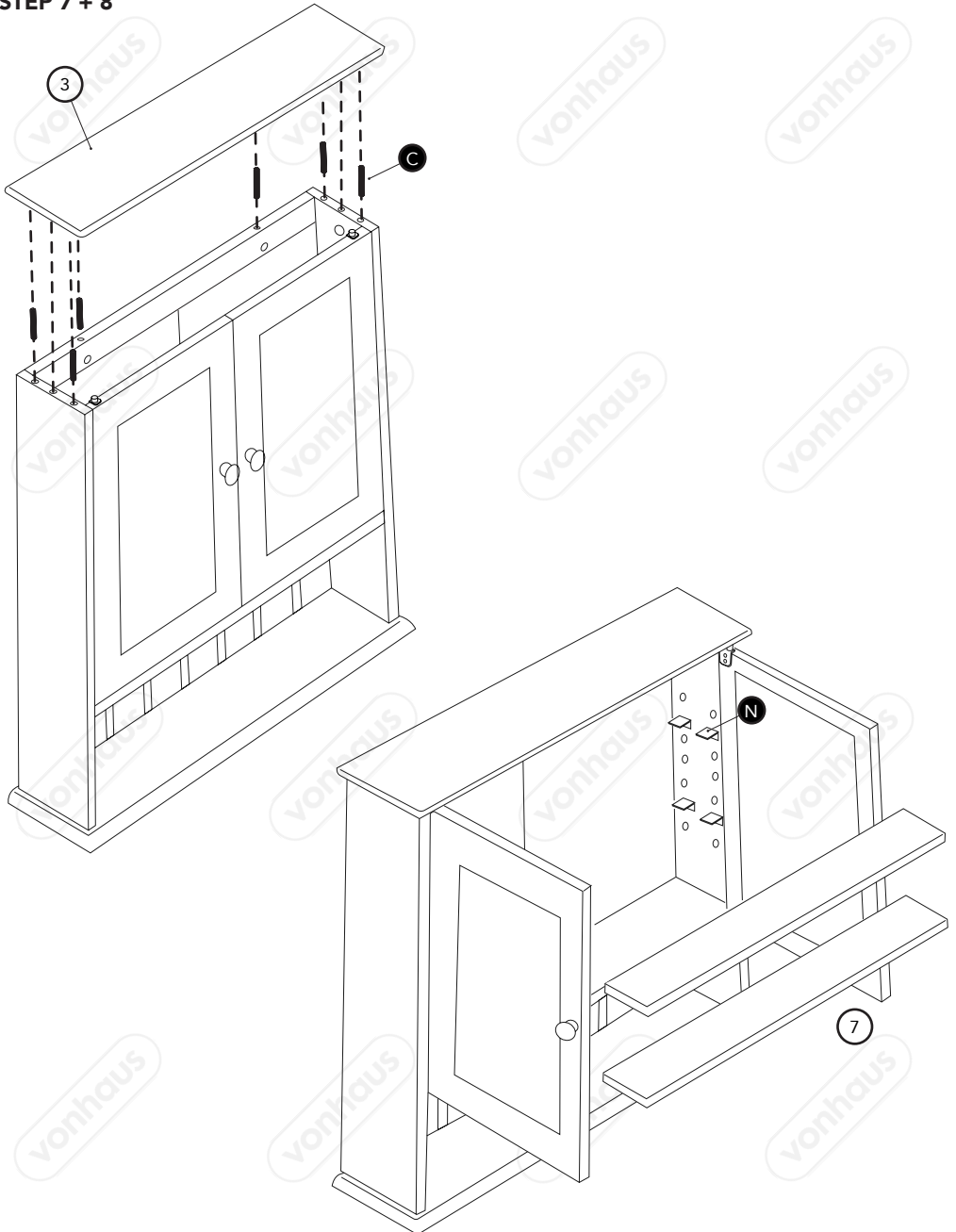
ASSEMBLY

STEP 5 + 6



ASSEMBLY

STEP 7 + 8



CLEANING

- A weekly dust will help shift the filmy layer of airborne deposits that build up over time and can scratch the surface of your furniture.
- Dampen a clean, dry cloth (non-scratching and preferably microfibre) with water and gently wipe the surface. The moisture will collect the dust and prevent any flyaway dust particles.

CAUTION: Avoid using any abrasive cleaning solvents on the Cabinet as this may damage the surface.

CUSTOMER SERVICE

If you are having difficulty using your product and require support, please contact hello@domu.co.uk

DISPOSAL INFORMATION

Please recycle where facilities exist. Check with your local authority for recycling advice.

WARRANTY

To register your product and find out if you qualify for a free extended warranty please go to

www.Vonhaus.com/Warranty.

Please retain a proof of purchase receipt or statement as proof of the purchase date.

The warranty only applies if the product is used solely in the manner indicated in the Warnings page of this manual, and all other instructions have been followed accurately. Any abuse of the product or the manner in which it is used will invalidate the warranty.

Returned goods will not be accepted unless re-packaged in its original colour box and accompanied by a relevant and completed returns form. This does not affect your statutory rights.

No rights are given under this warranty to a person acquiring the appliance second-hand or for commercial or communal use.

COPYRIGHT

All material in this instruction manual are copyrighted by DOMU Brands.

Any unauthorised use may violate worldwide copyright, trademark, and other laws.

Vonhaus

Vonhaus

Vonhaus

Vonhaus

Vonhaus

Vonhaus

Vonhaus

Vonhaus

Vonhaus

Vonhaus

Vonhaus

Vonhaus

Vonhaus

Vonhaus

Vonhaus

Vonhaus

Vonhaus

Vonhaus

Vonhaus

Vonhaus

Vonhaus

Vonhaus

Vonhaus

Vonhaus

Vonhaus

Vonhaus

Vonhaus

Vonhaus

Vonhaus

Vonhaus

Vonhaus

Vonhaus

Thank you for purchasing the Colonial Mirrored Cabinet.

VonHaus® is a registered trademark of DOMU Brands Ltd
Made in China for DOMU Brands Ltd BL2 2HH