

3500195



Please read all instructions carefully before use and retain for future reference.



CAUTION Sharp edges.



Protect your hands.



Protect your eyes.



Wear suitable footwear.

EN

Basic safety precautions should always be followed when using hand tools.

GENERAL PRECAUTIONS This tool is not intended for use by persons (including children) with reduced physical, sensory or mental capabilities, or lack of experience or knowledge, unless supervised and given appropriate instruction regarding the correct use of the tool by a person responsible for their safety. Read, and make sure you fully understand, all safety information before using this wrench. Failure to follow the warnings and instructions may result in serious injury.

Please retain this guide for future reference.

This tool is not a toy. Keep away from children and animals. Children and pets should be supervised to ensure they are kept away from the work area.

Never use hand tools as power tool accessories. You should never combine the use of a power tool with a manual tool unless specified as doing so can cause serious personal injury. Do not use the tool for anything other than its intended use.

Always secure your workpiece. Smaller workpieces should be secured using a vice or clamp during use.

WORK AREA SAFETY Keep your work area clean and well lit. Cluttered or dark areas invite accidents.

Do not use tools in explosive atmospheres, such as in the presence of flammable liquids, gases or dust. Use of some tools can create sparks which may ignite the dust or fumes.

Keep children, pets and bystanders away whilst using the tool. Distractions can cause you to lose control.

Shut off any live electrical equipment around your work area before commencing work with any non-insulated tool. Only use insulated tools and tools with appropriate IEC/VDE working on live electrical applications.

BEFORE USE Do not use hand tools whilst you are tired or under the influence of drugs, alcohol or medication. A moment of inattention whilst using tools may result in serious personal injury.

Use safety equipment. Always wear eye protection. Safety equipment such as a dust mask, non-skid safety shoes, hard hat, safety gloves or hearing protection used for appropriate conditions will reduce the risk of personal injury. Dress appropriately. Do not wear loose clothing or jewellery. Keep your hair, clothing and gloves away from moving parts. Loose-fitting clothes, jewellery or long hair can become caught in moving parts.

It is recommended to fully sharpen tools before first use (where applicable). Become familiar with the tool. Practice use of the tool on scrap material until you are familiar with the correct handling, use and limitations of the tool. If devices are provided for the connection of dust extraction and collection facilities, ensure these are connected and properly used. Use of these devices can reduce dust-related hazards.

Safety glasses or goggles should be worn at all times when using any hand tool.

Always follow the manufacturer's directions regarding torque direction, proper force, torque pattern/sequence, use or non-use of lubrication on fasteners and torque "tighten/release" cycles.

Do not exceed the recommended working range of the torque wrench. Reliable measurements are based on a percentage of the working range. In general, mechanical wrenches have a useable range from 20% to 100% of full scale. Do not use accessories or handle extensions unless specifically required. The more extensions used, the less accurate the torque setting will be.

Take time to inspect the tool and check for worn or cracked sockets. Properly lubricate and replace worn parts.

Avoid dropping or sliding the torque wrench. Dropping the torque wrench on a hard surface can cause the instrument to lose reliable calibration. If you suspect that the wrench has been dropped, have the tool inspected by the manufacturer or reputable calibration service.

Always store the torque wrench in the protective case provided when not in use.

Avoid exposure to temperature extremes, high humidity, fluid immersion and corrosive environments.

Always store this click-type Torque Wrench on the lowest level on the scale to prolong the life of the wrench.

Avoid marking, etching or placing labels on torque wrenches.

Use the torque wrench to apply a specific torque value during the final assembly process. Do not use a torque wrench as the primary means of tightening or loosening fasteners.

As most torque wrenches are length specific, always grasp the torque wrench in the center of the handle. If two hands need to be used, place one hand on top of the other.

Apply torque in a slow, methodical manner and avoid sudden, "jerking" movements.

When the wrench signals (by clicking) that a specific torque has been reached, stop pulling immediately.

After 5000 cycles or up to one year of use, whichever comes first, have your torque wrench inspected and recalibrated by a reputable calibration service.

At low torque settings, pull the wrench slowly to observe the click.

Avoid using universal joint extensions this will give an inaccurate reading.

IMPORTANT SAFETY INFORMATION FOR USE Use the tool, accessories and tool bits in accordance with these instructions and in the manner intended for the particular type of tool, taking into account the working conditions and the work to be performed. Use of the tool for operations different from those intended could result in a hazardous situation.

Stay alert, watch what you are doing, and use common sense when using the tool.

Beware of sharp edges. Handle sharp-edged and pointed tools with care. Ensure sharp-edged and pointed tools are kept sharp as this will make them easier to control.

Do not force the tool. Always use the correct tool for your application. The correct tool will do the job better and more safely at the rate for which it was designed.

Do not overreach. Keep proper footing and balance at all times. This will enable better control of the tool in unexpected situations.

Always use the correct type of tool for the type of material being worked on.

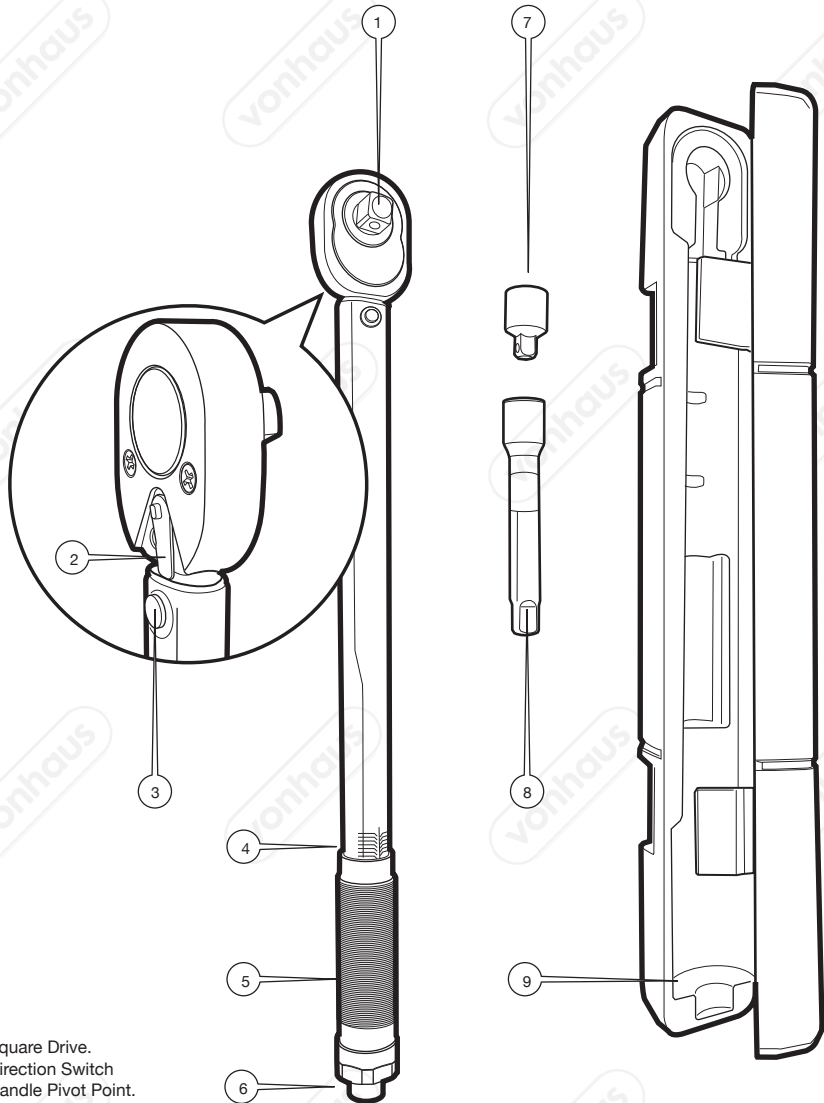
NOTE The above list is non-exhaustive and is recommended as a basic level of protection for general tasks. Before starting any task, refer to your local hardware store or a professional for advice on which safety equipment would be best suited to the task at hand.

Ensure you have all the pieces listed. If you are missing any components, contact our customer services department at

hello@domu.co.uk (UK/EU)

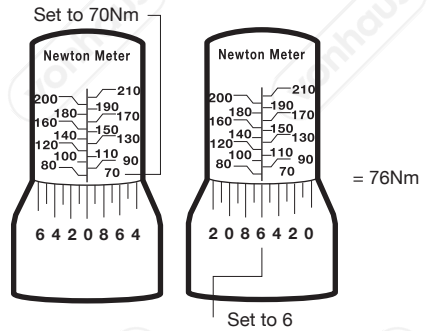
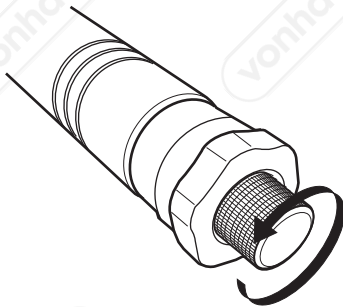
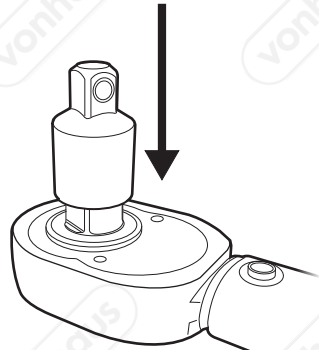
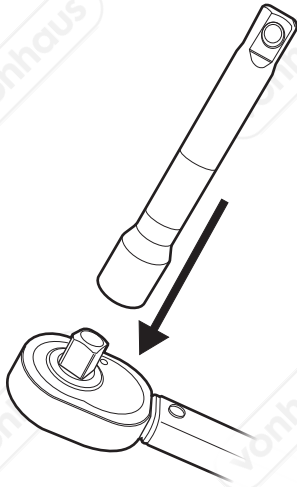
usasupport@domubrand.com (US). DO NOT proceed with assembly if any components are missing.

COMPONENTS



1. Square Drive.
2. Direction Switch
3. Handle Pivot Point.
4. Scale
5. Knurled Handle
6. Lock Nut.
7. Socket.
8. Extension.
9. Storage Case

ASSEMBLY



ASSEMBLY

Foot Pounds (ft-lb)	Meter Kilogrames (m-Kg)	Newton Meters (N-m)	Newton Meters (N-m)	Foot Pounds (ft-lb)	Meter Kilogrames (m-Kg)	Meter Kilogrames (m-Kg)	Foot Pounds (ft-lb)	Newton Meters (N-m)
5	0.69	6.78	10	7.38	1.02	1	7.23	9.81
10	1.38	13.56	20	14.75	2.04	2	14.47	19.61
15	2.07	20.34	30	22.13	3.06	3	21.70	29.42
20	2.77	27.12	40	29.50	4.08	4	28.93	39.23
25	3.46	33.90	50	36.88	5.10	5	36.17	49.03
30	4.15	40.67	60	44.25	6.12	6	43.40	58.84
35	4.84	47.45	70	51.63	7.14	7	50.63	68.65
40	5.53	54.23	80	59.00	8.16	8	57.86	78.45
45	6.22	61.01	90	66.38	9.18	9	65.10	88.26
50	6.91	67.79	100	73.76	10.20	10	72.33	98.07
55	7.60	74.57	110	81.13	11.22	11	79.56	107.87
60	8.30	81.35	120	88.51	12.24	12	86.80	117.68
65	8.99	88.13	130	95.88	13.26	13	94.03	127.49
70	9.68	94.91	140	103.26	14.28	14	101.26	137.29
75	10.37	101.69	150	110.63	15.30	15	108.50	147.10
80	11.06	108.47	160	118.01	16.32	16	115.73	156.91
85	11.75	115.24	170	125.39	17.33	17	122.96	166.71
90	12.44	122.02	180	132.76	18.35	18	130.19	176.52
95	13.13	128.80	190	140.14	19.37	19	137.43	186.33
100	13.83	135.58	200	147.51	20.39	20	144.66	196.13
105	14.52	142.36	210	154.89	21.41	21	151.89	205.94
110	15.21	149.14	220	162.26	22.43	22	159.13	215.75
115	15.90	155.92	230	169.64	23.45	23	166.36	225.55
120	16.59	162.70	240	177.01	24.47	24	173.59	235.36
125	17.28	169.48	250	184.39	25.49	25	180.83	245.17
130	17.97	176.26	260	191.77	26.51	26	188.06	254.97
135	18.66	183.04	270	199.14	27.53	27	195.29	264.78
140	19.36	189.81	280	206.52	28.55	28	202.52	274.59
145	20.05	196.59	290	213.89	29.57	29	209.76	284.39
150	20.74	203.37	300	221.27	30.59	30	216.99	294.20
155	21.43	210.15	310	228.64	31.61	31	224.22	304.01
160	22.12	216.93	320	236.02	32.63	32	231.46	313.81
165	22.81	223.71	330	243.39	33.65	33	238.69	323.62
170	23.50	230.49	340	250.77	34.67	34	245.92	333.43
175	24.19	237.27	350	258.15	35.69	35	253.16	343.23
180	24.89	244.05	360	265.52	36.71	36	260.39	353.04
185	25.58	250.83	370	272.90	37.73	37	267.62	362.85
190	26.27	257.61	380	280.27	38.75	38	274.85	372.65
195	26.96	264.38	390	287.65	39.77	39	282.09	382.46
200	27.65	271.16	400	295.02	40.79	40	289.32	392.27
205	28.34	277.94	410	302.40	41.81	41	296.55	402.07
210	29.03	284.72						
215	29.72	291.50						
220	30.42	298.28						
225	31.11	305.06						
230	31.80	311.84						
235	32.49	318.62						
240	33.18	325.40						
245	33.87	332.18						
250	34.56	338.95						
255	35.26	345.73						
260	35.95	352.51						
265	36.64	359.29						
270	37.33	366.07						
275	38.02	372.85						
280	38.71	379.63						
285	39.40	386.41						
290	40.09	393.19						
295	40.79	399.97						
300	41.48	406.75						
305	42.17	413.52						

CONVERSION FORMULAS			
1 in-lb =	1 ft-lb =	1 N-m =	1 m-kg =
0.0833 ft-lb	0.138 m-kg	0.7375 ft-lb	7.233 ft-lb
0.1129 N-m	12.0 in-lb	8.8507 in-lb	86.79 in-lb
0.0115 m-kg	1.355 N-m	0.1019 m-kg	9.806 N-m
1.1521 cm-kg	13.82 cm-kg	10.19 cm-kg	100.0 cm-kg



EN

DISPOSAL INFORMATION Please recycle where facilities exist. Check with your local authority for recycling advice.

CUSTOMER SERVICE If you are having difficulty using this product and require support, please contact **hello@domu.co.uk (UK/EU)** **usasupport@domubrand.com (US)**

WARRANTY To register your product and find out if you qualify for a free extended warranty please go to **www.vonhaus.com/warranty**. Please retain a proof of purchase receipt or statement as proof of the purchase date. The warranty only applies if the product is used solely in the manner indicated in the warnings page of this manual, and all other instructions have been followed accurately. Any abuse of the product or the manner in which it is used will invalidate the warranty. Returned goods will not be accepted unless re-packaged in its original packaging and accompanied by a relevant and completed returns form. This does not affect your statutory rights. No rights are given under this warranty to a person acquiring the appliance second-hand or for commercial or communal use.

COPYRIGHT All material in this instruction manual are copyrighted by DOMU Brands. Any unauthorised use may violate worldwide copyright, trademark, and other laws.

THANK YOU

Thank you for purchasing your product/appliance. Should you require further assistance with your purchase, you can contact us at **hello@domu.co.uk (UK/EU)** **usasupport@domubrand.com (US)** VonHaus is a registered trademark of DOMU Brands Ltd. Made in China for DOMU Brands. M24 2RW.