

90KG FOLDING HAND TRUCK

15/167 - User Guide

Please read all instructions carefully before use and retain for future reference.

This product is not a toy. Children and animals should be supervised at all times to ensure they do not play with the Folding Hand Truck. Keep children and animals away from the work area as distractions can cause accidents and injury.

Use due care and attention at all times with this product. Carelessness invites accidents.

Do not use the Hand Truck on uneven ground. Do not run over curbs or steps; always use a suitable slip-resistant ramp.

Always use appropriate safety equipment such as steel toe boots when handling the Hand Truck. Use appropriate safety equipment for the task and environment you are working in.

Do not use the Hand Truck if any part is damaged, paying particular attention to the wheels.

Ensure the **MAIN HANDLE (1)** is securely locked into place before loading or transporting any load.

CAUTION: Take extra care when folding/unfolding the **FOOT PLATE (3)** as this is snap-action and therefore poses a risk of finger trap/pinch points.

Take extra care when locking/unlocking the **MAIN HANDLE (1)** there a risk of finger trap/pinch points.

Always load the **FOOT PLATE (3)** evenly with the centre of gravity of the load as near to the centre and rear of the **FOOT PLATE (3)** as possible. Place the heaviest items on the bottom.

Use suitable additional support(s) for large or wide loads to prevent tipping.

Do not attempt to transport loads whereby the height restricts sight or proper access to the **MAIN HANDLE (1)**.

WARNING! Do not overload the Hand Truck. Maximum weight capacity **90kg/198lbs**.

Do not stack the Hand Truck above head height.

Do not leave the Hand Truck unattended when loaded.

Do not allow others to ride on the Hand Truck. Do not sit or stand on the **FOOT PLATE (3)** as this invites accidents.

Never attempt to modify or supplement the use of the Hand Truck in any way. Always use the right tool for the job. Improper use can cause accident and injury.

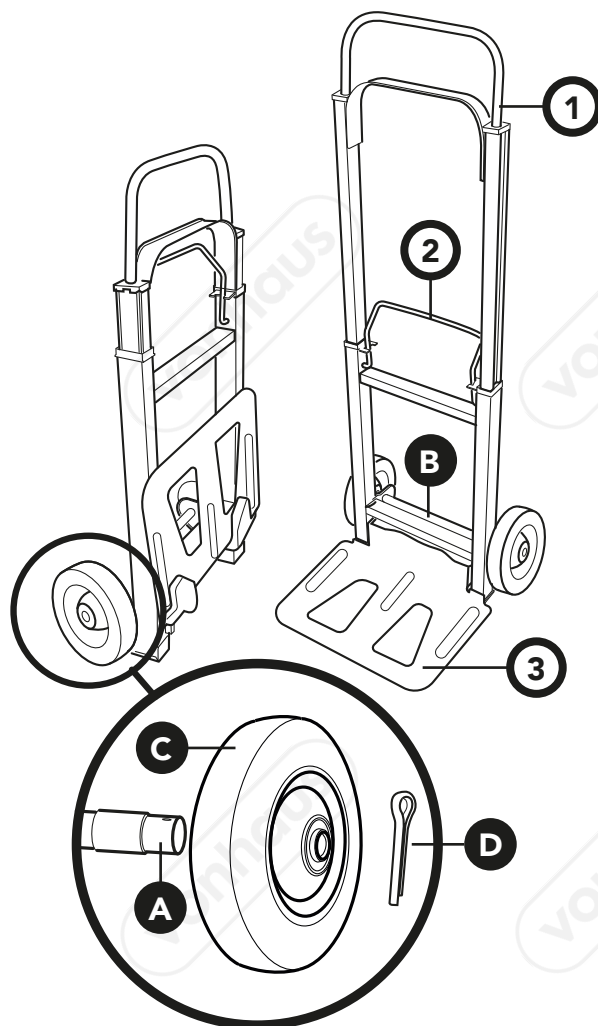
ASSEMBLY

NOTE: The wheels require assembly when first used.

1. Slide the **METAL SLEEVE (A)** onto the **AXLE BAR (B)** at the base of the Trolley.
2. Slide the **WHEEL (C)** onto the **AXLE BAR (B)**.
3. Insert the **PIN (D)** down through the hole on the **AXLE BAR (B)**. Use a pair of pliers (not supplied) to gently prise the pin ends apart to lock the assembly onto the **AXLE BAR (B)**.

USAGE

- To unfold the Trolley, push the **FOOT PLATE (3)** forwards away from the Trolley and towards the ground.
- To extend the Trolley to its complete height, push the **CENTRE BAR (2)** forward whilst lifting up the **MAIN HANDLE (1)** and lift until it clicks into place.
- To fold the Trolley back into position, hold the **CENTRE BAR (2)** forwards and push the **MAIN HANDLE (1)** downwards until it clicks into place.
- Push the **FOOT PLATE (3)** back up into position.



CUSTOMER SERVICES

If you are having difficulty using your product and require support, please contact

hello@domu.co.uk

DISPOSAL INFORMATION

Please recycle where facilities exist. Check with your local authority for recycling advice.

WARRANTY

To register your product and find out if you qualify for a free extended warranty, go to:

www.VonHaus.com/warranty

Please retain a proof of purchase receipt or statement as proof of the purchase date.

The warranty only applies if the product is used solely in the manner indicated in this User Guide and all instructions have been followed accurately. Any abuse of the product or the manner in which it is used will invalidate the warranty.

Returned goods will not be accepted unless re-packaged in its original packaging and accompanied by a relevant and completed returns form. This does not affect your statutory rights.

No rights are given under this warranty to a person acquiring this unit second-hand or for commercial or communal use.

COPYRIGHT

All material in this instruction manual are copyrighted by DOMU Brands Ltd, M24 2RW.

Any unauthorised use may violate worldwide copyright, trademark, and other laws.