

3515387.1



Please read all instructions carefully before use and retain for future reference.



CAUTION Do not immerse in water.



Wear a dust mask.



Protect your eyes, ears and hands



Do not suitable in wet conditions.



Keep bystanders clear

INTENDED USE Only operate the power tool/machine for its intended purpose and within the parameters specified in this manual.

This power tool/machine is for domestic use only. Do not use outdoors during wet conditions.

This power tool/machine is not intended for use by persons with reduced physical, sensory or mental capabilities, or lack of experience and knowledge, unless supervised or given appropriate instruction concerning the product's use by a person responsible for their safety.

GENERAL PRECAUTION Do not allow to be used as a toy. Children should be supervised to ensure they do not play with the power tool/machine.

If the power tool/machine is not functioning properly, has been dropped, damaged, left outdoors, or immersed in liquid, do not use, contact DOMU Brands Customer Services.

Do not use the power tool/machine if any parts appear to be faulty, missing or damaged.

Ensure all parts are securely attached before use.

RISK OF PERSONAL INJURY Avoid body contact with earthed or grounded surfaces such as pipes, radiators, ranges and refrigerators. There is an increased risk of electric shock if your body is earthed or grounded.

Prevent unintentional starting. Ensure the switch is in the off position before connecting to the power source and/or battery pack, picking up or carrying the tool. Carrying power tools with your finger on the switch, or energising power tools that are switched on, invites accidents.

Do not operate power tools in explosive atmospheres such as in the presence of flammable liquids, gases or dust. Power tools create sparks which may ignite the dust or fumes.

Always wear eye protection. Any power tool can throw foreign objects into your eyes and cause permanent eye damage. Always wear safety goggles (not glasses) that comply with ANSI safety standard Z87.1. Every day glasses have only impact resistant lenses.

Do not expose power tools to rain or wet conditions. Water entering the power tools will increase the risk of electric shock.

Stay alert, watch what you are doing and use common sense when operating a power tool/machine. Do not use a power tool/machine while you are tired or under the influence of drugs, alcohol or medication. A moment of inattention while operating power tool/machine may result in serious personal injury.

Use personal protective equipment. Always wear eye protection. Protective equipment such as dust mask, non-skid safety shoes, hard hat, or hearing protection used for appropriate conditions will reduce personal injuries.

Prevent unintentional starting. Ensure the switch is in the off-position before connecting to power source and/or battery pack, picking up or carrying the tool.

Carrying power tool/machine with your finger on the switch or energizing power tool/machine that have the switch on invites accidents.

Remove any adjusting key or spanner before turning the power tool/machine on. A spanner or a key left attached to a rotating part of the power tool/machine may result in personal injury.

Do not overreach. Keep proper footing and balance at all times. This enables better control of the power tool/machine in unexpected situations.

Dress appropriately. Do not wear loose clothing or jewellery.

Keep your hair, clothing and gloves away from moving parts. Loose clothes, jewellery or long hair can be caught in moving parts.

If devices are provided for the connection of dust extraction and collection facilities, ensure these are connected and properly used. Use of dust collection can reduce dust-related hazards.

WORK AREA SAFETY Keep work area clean and well lit. Cluttered or dark areas invite accidents.

Do not operate power tool/machine in explosive atmospheres, such as in the presence of flammable liquids, gases or dust.

Power tool/machine create sparks which may ignite the dust or fumes.

Keep children and bystanders away while operating a power tool/machine. Distractions can cause you to lose control.

GENERAL POWER TOOL USE AND CARE Do not force the power tool/machine. Use the correct power tool/machine for your application. The correct power tool/machine will do the job better and safer at the rate for which it was designed.

Do not use the power tool/machine if the switch does not turn it on and off. Any power tool/machine that cannot be controlled with the switch is dangerous and must be repaired.

Disconnect the plug from the power source and/or the battery pack from the power tool/machine before making any adjustments, changing accessories, or storing power tool/machine tools. Such preventive safety measures reduce the risk of starting the power tool/machine accidentally.

Store idle power tool/machine out of the reach of children and do not allow persons unfamiliar with the power tool/machine or these instructions to operate the power tool/machine.

Power tool/machines are dangerous in the hands of untrained users.

Maintain power tool/machines. Check for misalignment or binding of moving parts, breakage of parts and any other condition that may affect the power tool/machines operation. If damaged, have the power tool/machines repaired before use. Many accidents are caused by poorly maintained power tool/machines.

Keep cutting tools sharp and clean.

Properly maintained cutting tools with sharp cutting edges are less likely to bind and are easier to control.

Use the power tool/machine accessories and tool bits in accordance with these instructions, take into account the working conditions and the work to be performed.

Use of the power tool/machine for operations different from those intended could result in a hazardous situation.

CLEANING & MAINTENANCE Never soak or immerse electrical components and or a component that has a plug attached.

Disconnect the plug from the power source before making any adjustments, changing accessories, or storing. Such preventive safety measures reduce the risk of starting the power tool accidentally.

Ensure the motor has fully stopped before cleaning, clearing a blockage, checking, or carrying out any maintenance on the tool.

Maintain your power tool. Check for misalignment or binding of moving parts, breakage of parts and any other condition that may affect the power tool's operation. If damaged, have the power tool repaired by a qualified repair person before use. Many accidents are caused by poorly maintained power tools.

Keep cutting tools sharp and clean. Properly maintained cutting tools with sharp cutting edges are less likely to bind and are easier to control.

Regularly check external nuts and fixings to ensure vibration caused by normal use has not begun to loosen them. Store idle power tools out of reach of children and do not allow persons unfamiliar with the power tool or these instructions to operate the Breaker.

Locate the power tool out of reach of children, in a dry, locked unit.

Make sure that the cord is located so that it will not be stepped on, tripped over, or otherwise subjected to damage or stress.

Remove the plug from the mains socket / battery (where applicable) before carrying out any adjustment or maintenance.

Always store the power tool/machine in a dry place.

If the power cord is damaged, it must be replaced by a qualified service technician.

Keep the ventilation slots and motor housing as free of dirt and dust as possible (where applicable).

Clean the power tool/machine by rubbing it with a clean cloth and blow it clean using low-pressure compressed air is recommended.

Ensure you have all the pieces listed. If you are missing any components, contact our customer services department at

support@domu.co.uk DO NOT proceed with assembly if any components are missing.

HAND HELD SPRAY GUNS

Use only paints, solvents or other materials with a flash point of 21°C or higher.

The materials used with this Spray Gun (paint, thinners, etc.) may contain hazardous, harmful, explosive or corrosive materials.

Always ensure there is adequate ventilation when spraying.

NEVER spray near an open flame, including an appliance pilot flame.

NEVER smoke near the Spray Gun, paint or other flammable objects.

Always disconnect the unit from the electrical outlet when cleaning the Spray Gun.

Always ensure the spray area is safe and free from all debris that may present a fire or trip hazard.

NEVER, under any circumstances, point the Spray Gun at another person or animal. In the event of an injury, seek immediate medical attention.

NEVER allow children or unauthorised users to operate or play with the spray equipment.

Always read the paint manufacturer's thinning instructions before use.

Always wear a protective face mask when spraying. We also recommend wearing gloves, goggles and overalls.

You must clean the Spray Gun thoroughly after each use.

Do not use or place paint or other flammable materials near ignition sources such as static electric sparks, open flames, pilot lights, electrical appliances, or hot objects. Connecting or disconnecting power cords or working light switches can make sparks.

Due to the high pressures involved during conventional air-atomised and airless spray application, paint injection injuries can occur. Injuries caused by the injection of paint under pressure into the body can be extremely serious and urgent medical attention is absolutely essential.

A few simple considerations follow that will help to minimise the risk of injury during spraying: FIRE AND EXPLOSION The hazardous environment produced during the spraying of flammable materials results in an increased risk of fire and explosion. All sources of ignition must be eliminated from the spray area. Common ignition sources such as the following must be avoided at all times:

- Electrical sparks and arcs from the discharge of static electricity from poorly earthed equipment.

- Electrical short circuits.

- Naked flames.

- Lit cigarettes, cigars, pipes.

- Portable battery equipment.

- Hot surfaces (wires, metals).

- Equipment which could produce sparks (grinding wheels)

- Exothermic (heat-generating) chemical reactions, such as when two-component paints are left to "pot" before disposal

- When the equipment is pressurised **NEVER** look directly at the spray tip or bring the spray tip into close proximity with any part of the body.

- Spray guns must **NEVER** be pointed directly at anyone.

- Fingers must **NEVER** be placed over the spray tip.

- No-one should carry out airless spraying unless fully trained in the correct use of the equipment, the hazards involved in spraying, and the necessary action to take in the event of an accident.

- All equipment should be earthed at all times as there is a potential danger of static electricity discharge.

- Chlorinated solvents must never be sprayed.

- Air hoses should be secure before spraying operations are started.

- The spray gun trigger must be **LOCKED** before passing the gun to someone else.

•Equipment must be depressurised when it is not in use
Spray painting equipment can be very noisy and can induce deafness so it is essential that all sources of noise comply with the local regulations in operation. Ear protection is recommended in circumstances where there will be excessive noise levels and should always be worn.

TECHNICAL SPECIFICATION

Rated Voltage 220-240V

Rated Power 800W

Rated Frequency 50Hz

DECLARATION OF CONFORMITY

We:

DOMU Brands Ltd
6th Floor The Tower
Deva City Office Park
Manchester
M3 7BF

Declare under our sole responsibility the product:

SKU
3515387.1

Description
800W Paint Station

Complies with the essential requirements of the following directives:

2011/65/EU, 2014/30/EU

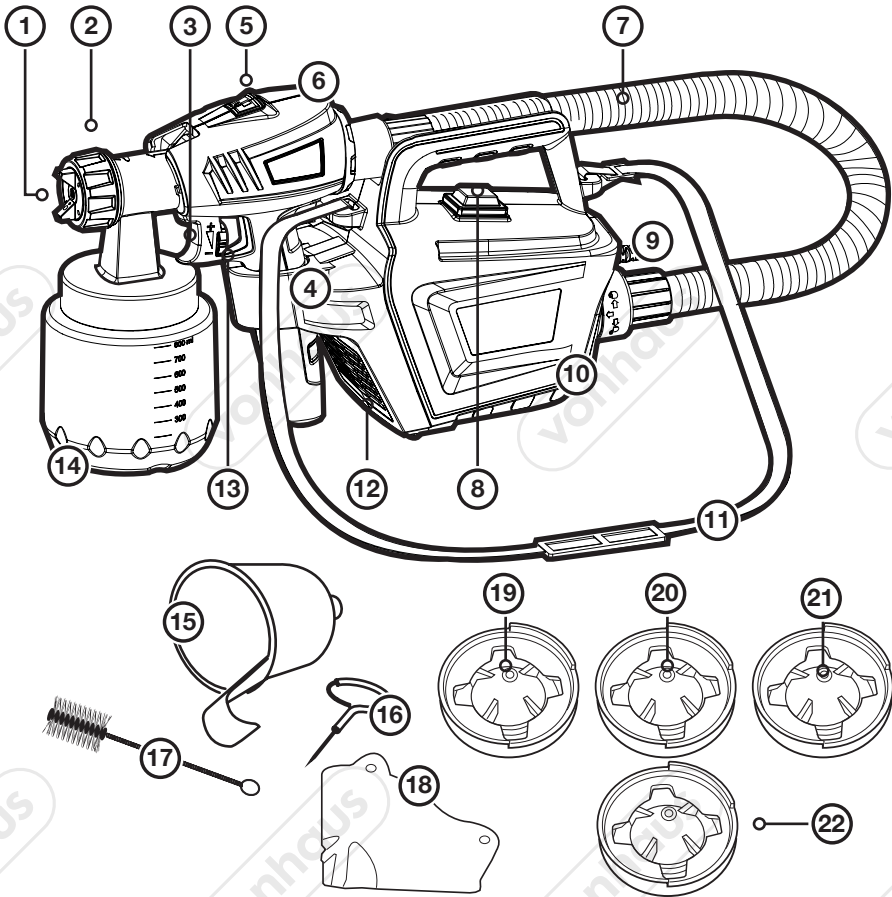
And the Standards:

EN 50580:2012, EN 13236, EN 62841-1,
EN 60745-1, BS 1363-1:2016, BS 1362:1973

Authorised Signatory on behalf of DOMU Brands Ltd.

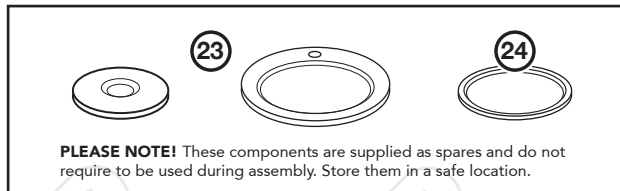


COMPONENTS



COMPONENT LIST

- | | | |
|------------------------------|-----------------------|--|
| 1. Pattern Adjuster. | 15. Viscosity Cup. | 20. 1.8mm Nozzle (pre-installed) |
| 2. Nozzle Locking Wheel. | 16. Cleaning Needle. | 21. 2.6mm Nozzle |
| 3. Trigger. | 17. Cleaning Brush. | 22. 3.0mm Nozzle |
| 4. Spray Gun Seat. | 18. 5x Paper Filters. | 23. Rubber Gaskets (for Fixed Nozzle & Container). |
| 5. Quick Release Button. | 19. 1.0mm Nozzle | 24. O-Ring |
| 6. Spray Gun Unit. | | |
| 7. Air Hose. | | |
| 8. ON/OFF Switch. | | |
| 9. Power Cord. | | |
| 10. Main Unit. | | |
| 11. Shoulder Strap. | | |
| 12. Air Filter Cover. | | |
| 13. Volume Adjustment Dial. | | |
| 14. Paint/Coating Container. | | |



MATERIAL PREPARATION

IMPORTANT Before spraying, the material being used may need to be thinned with solvent; as specified by the material manufacturer.

WARNING Do not use materials with a flashpoint below 21°C (70°F).

NOTE Follow the instructions below.

Stir the spraying material thoroughly before measuring viscosity.

Dip the **VISCOSITY CUP** completely into the spraying material.

Hold the **VISCOSITY CUP** and measure the time in seconds until the spray material empties out.

This time duration is referred to below as ***Runout Time**.



COATING MATERIALS SUITABLE - Water and solvent based paints, finishes, primers, 2 component paints, clear finishes, automotive finishes, staining sealers and wood sealer-preservatives.




THINNING CHART

MATERIAL	*RUNOUT TIME (SEC)
OIL ENAMEL	25 - 45
OIL BASED PRIMER	30 - 50
OIL STAIN	NO THINNING REQUIRED
CLEAR SEALER	NO THINNING REQUIRED
POLYURETHANE	NO THINNING REQUIRED
VARNISH	20 - 55
LACQUER/SANDING SEALER	25 - 40

IMPORTANT Material to be sprayed should always be strained to remove any impurities in the paint which may enter and clog the system.

Impurities in the paint may give poor performance and a poor finish. Please use the Paper Filters supplied to prevent this.

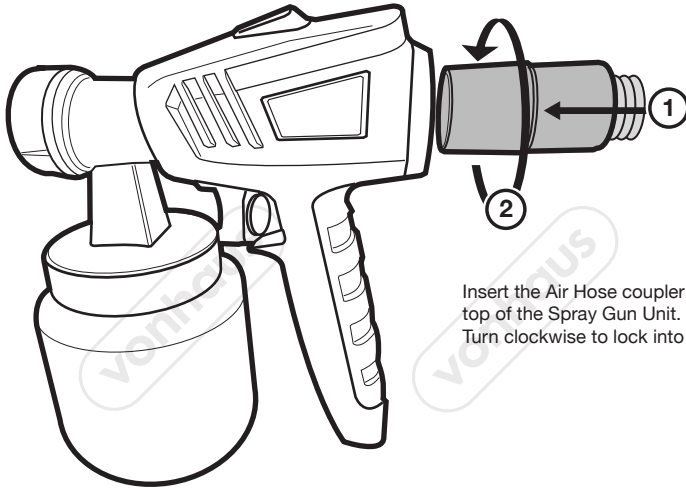
NOZZLE RECOMMENDATIONS & APPLICATIONS

NOZZLE SIZE	RECOMMENDED MATERIAL	PROPOSED VISCOSITY	PROJECT
 <p>1.0mm- 1.8mm</p>	Polyurethane, chalk and milk type paints	Lower than 40Din-s	Railings, multi-frame window frames, heating pipes, garden furniture, garage doors, metal garden fences
 <p>2.6mm</p>	Low viscoisty, primer, wall paint	45Din-s	Internal walls, wooden garden fences and sheds
 <p>3.0mm</p>	Low viscoisty, primer, wall paint, latex	Greater than 60Din-s	External walls, Outdoor floors and decked areas

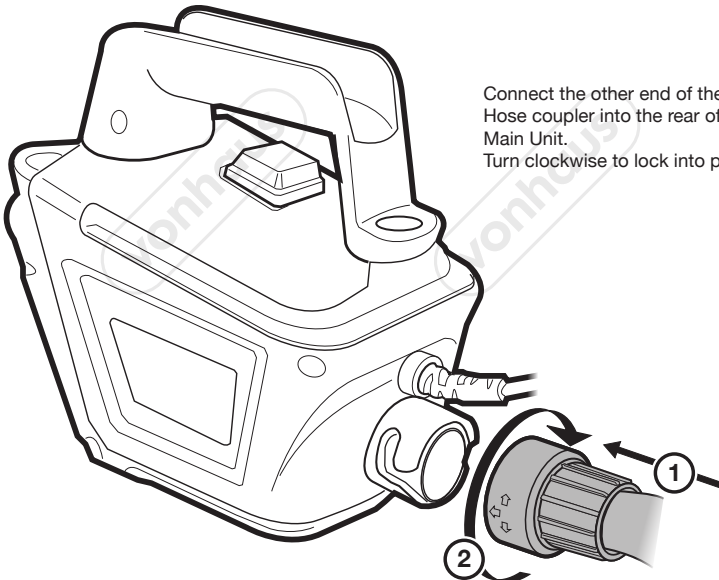
IMPORTANT TIP -

The smaller the Nozzle size, the more delicate and smooth the paint effect will be.

The bigger diameter of Nozzle, the higher flow rate, thicker droplets and bigger working area.



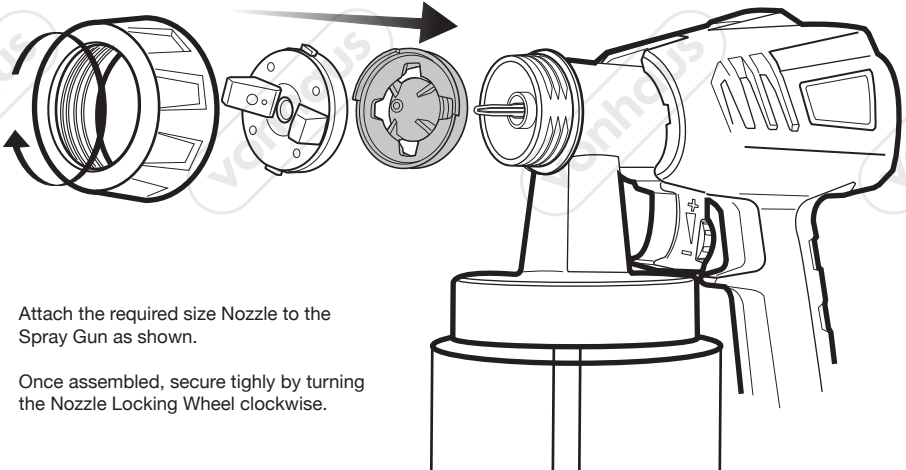
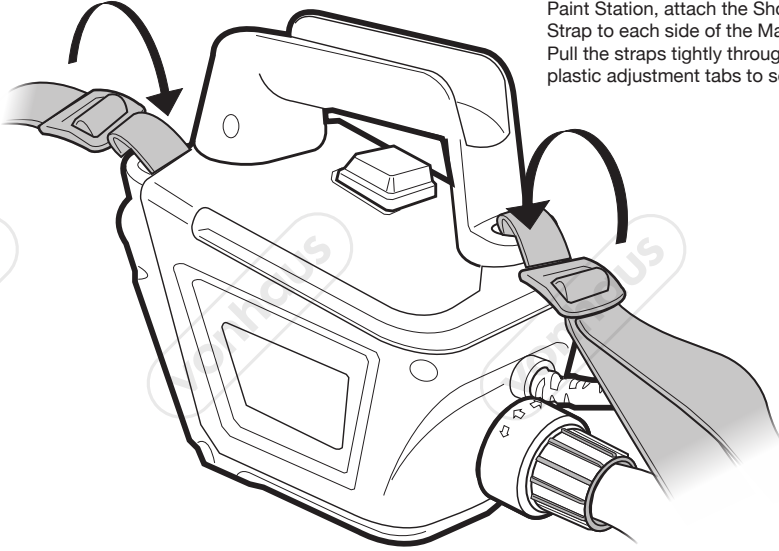
Insert the Air Hose coupler into the top of the Spray Gun Unit.
Turn clockwise to lock into position.



Connect the other end of the Air Hose coupler into the rear of the Main Unit.
Turn clockwise to lock into position.

ASSEMBLY

If the task requires you to carry the Paint Station, attach the Shoulder Strap to each side of the Main Unit. Pull the straps tightly through the plastic adjustment tabs to secure.



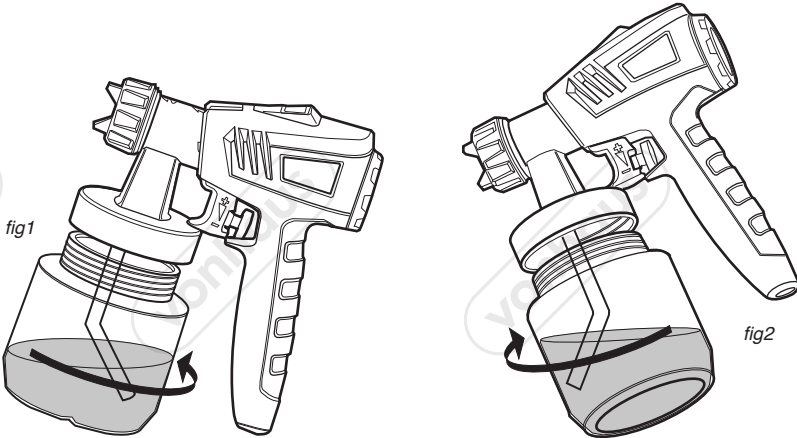
Attach the required size Nozzle to the Spray Gun as shown.

Once assembled, secure tightly by turning the Nozzle Locking Wheel clockwise.

ASSEMBLY

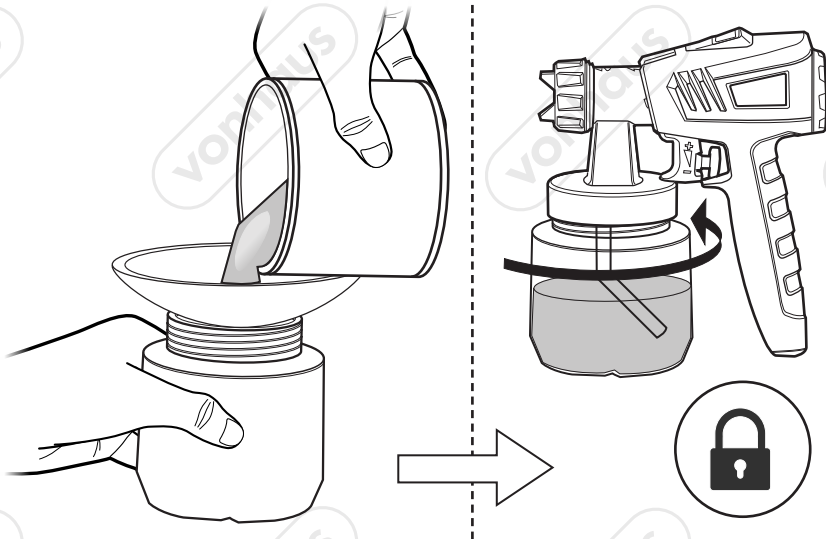
Unscrew the Container from the Spray Gun and align the suction tube to suit the task at hand. For horizontal surfaces, turn the suction tube towards the Spray Gun (*fig 1*). When spraying surfaces overhead, turn the suction tube away from the Spray Gun (*fig 2*).

NOTE! The Container should not be filled at this stage, the images are for illustration purposes.



Carefully pour the prepared coating material into the Container and secure to the Spray Gun Unit. We recommend using the Paper Filters supplied to help clear any impurities from the paint for an even smoother finish to your surfaces. Ensure the Container is firmly attached before use.

Sit the Spray Gun into the Seat whilst you prepare your work area.



SURFACE PREPARATION

All objects to be sprayed should be thoroughly cleaned before spraying.

Areas excluded from spraying should be masked off appropriately.

NOTE When spraying outdoors, the spraying area must be free of dust in order to avoid blowing dust onto the freshly sprayed surface.

SPRAY PATTERN ADJUSTMENT

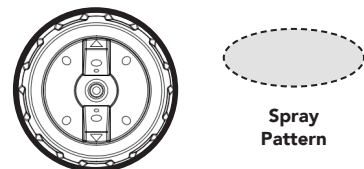
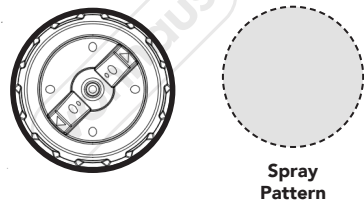
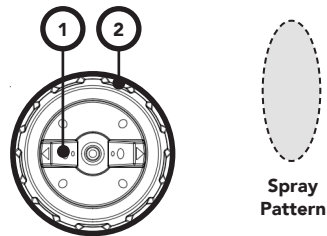
The spray pattern shape is adjusted by rotating the **PATTERN ADJUSTER (1)** to either the vertical, horizontal or diagonal positions.

Loosen the **LOCKING WHEEL (2)** sufficiently to enable you to rotate the **PATTERN ADJUSTER (1)**.

Test each pattern and use whichever pattern is suitable for your application.

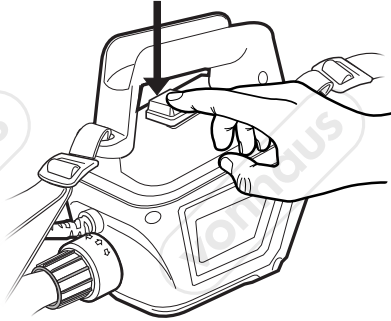
The positions of the **PATTERN ADJUSTER (1)** and corresponding spray pattern shapes are illustrated below.

Test each pattern and use whichever pattern is suitable for your application.

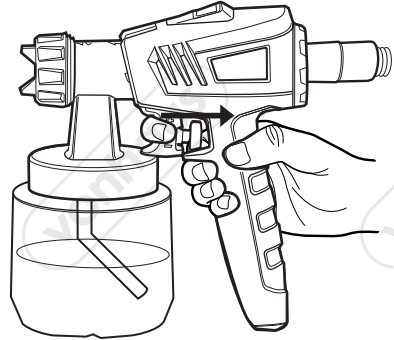


OPERATION

To switch on, connect the Main Unit to a suitable mains outlet and turn on using the ON/OFF Switch on the top.



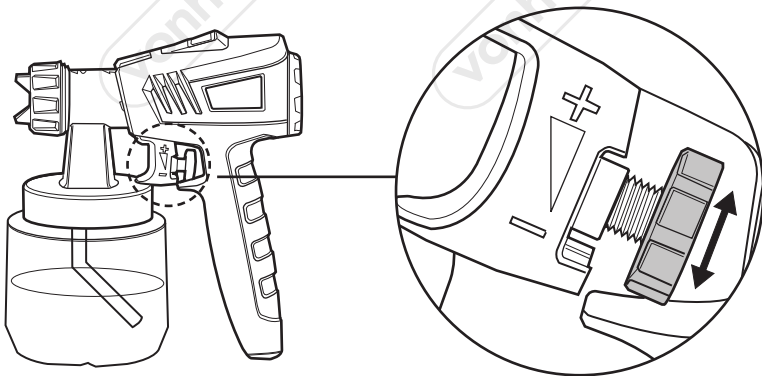
Firmly grip the Spray gun and squeeze the Trigger to release the paint. Adjust the volume of coating as shown in the 'FLOW ADJUSTMENT' section below.



FLOW ADJUSTMENT

Set the material flow volume by rotating the **VOLUME ADJUSTMENT DIAL** behind the **TRIGGER (4)** of the spray gun.

Rotate the **VOLUME ADJUSTMENT DIAL** clockwise for greater volume and anti-clockwise for decreased volume.



SPRAY TECHNIQUE

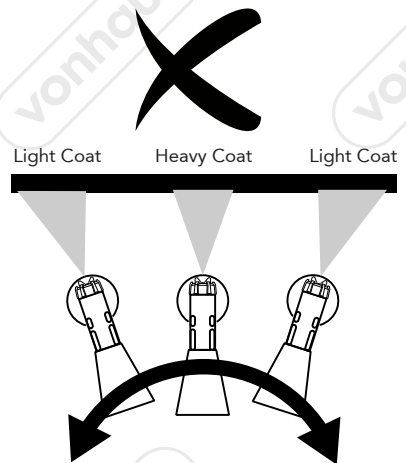
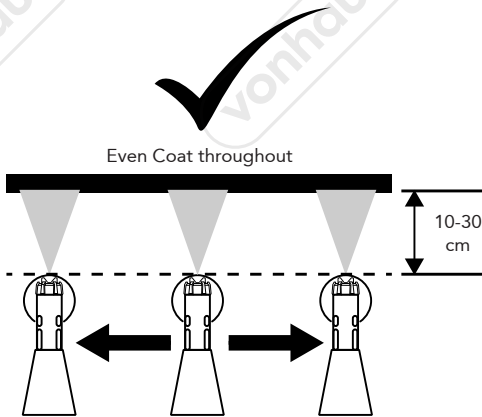
ADVISORY It is strongly advisable to practice on a piece of cardboard or wood offcuts before proceeding on your intended workpiece

Spray parallel to the surface with smooth passes at a consistent speed as illustrated below. Adhering to this will avoid irregularities in the final finish.

Always apply a thin coat of material on the first pass and allow to dry before applying a second, slightly heavier coat.

Position the Spray Gun perpendicular to one or more inches from the spray surface.

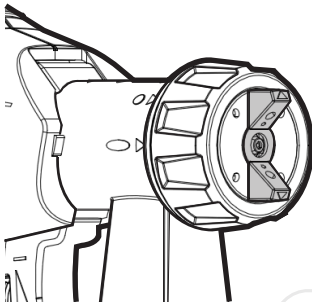
NOTE The closer the sprayer is to the object being sprayed the lower the overspray.



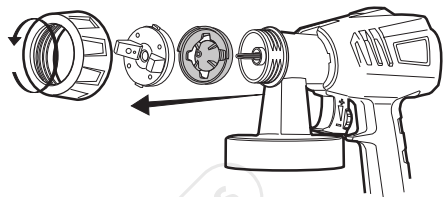
Keep strokes smooth and at an even speed.

ADVISORY When spraying, always trigger the spray gun after spray pass has begun and release the trigger before stopping the pass.

NOTE Always keep the spray gun pointed squarely at the spray surface and overlap passes slightly to obtain the most consistent finish.

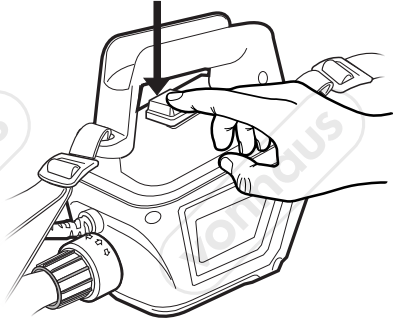


When you notice coat build up on the Nozzle, this is an indication it needs to be disassembled and cleaned. Refer to the 'MAINTENANCE' section for cleaning instructions.

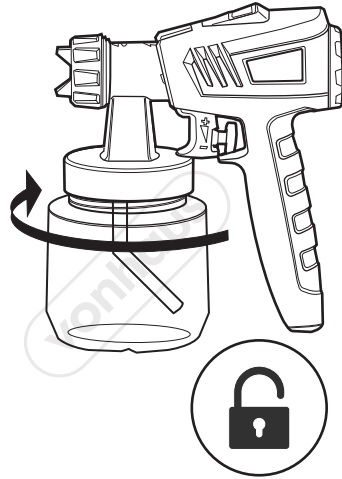


MAINTENANCE

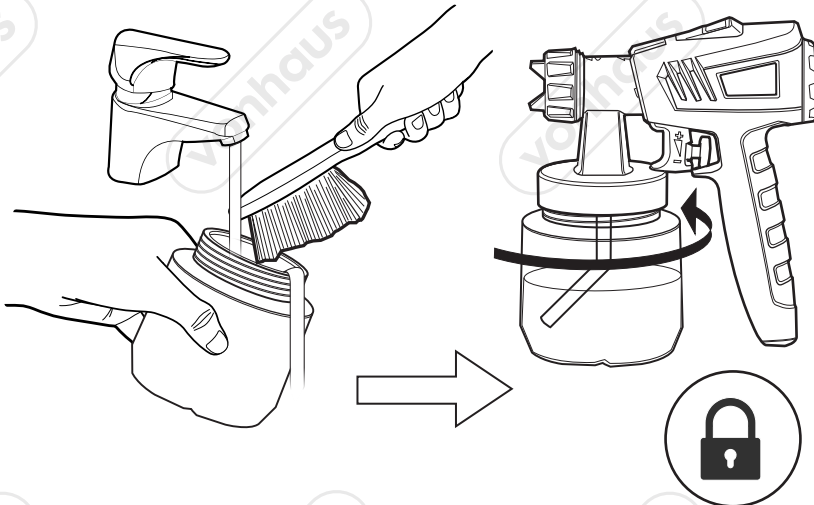
Switch off the Paint Station and release the trigger so that any remaining coating in the Spray Gun flows back into the Container.



Remove the Container and empty any remaining coating back into the tin. Clean the Container with a scrubbing brush along with warm ,soapy water.



When the Container is scrubbed clean, fill the Container with luke-warm water and mild detergent before re-attaching to the Spray Gun. Ensure the Suction Pipe is facing away from the Spray Gun.

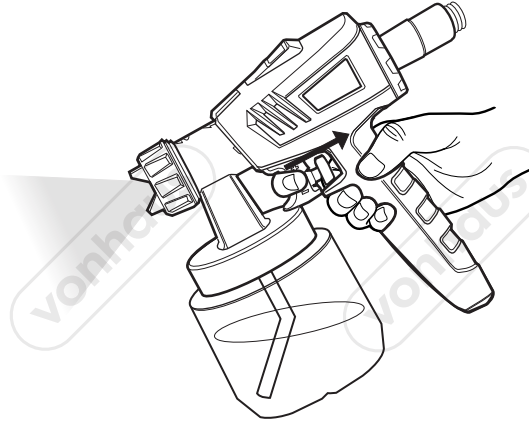


MAINTENANCE

With the Main Unit switched back on, aim the Spray Gun at the sink or a large container and squeeze the Trigger to discharge the water. Continue to do so until the water runs clear.

This will remove any remaining coating on the Nozzles and aid cleaning in the next stages.

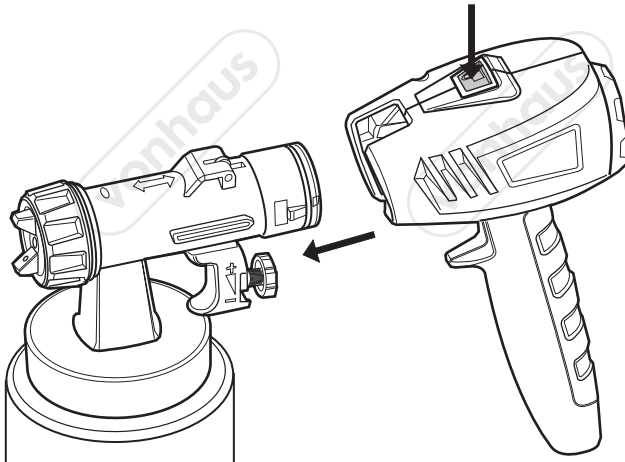
CAUTION! Never run the Spray Gun with a completely empty container.



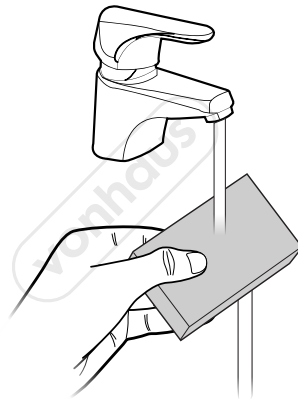
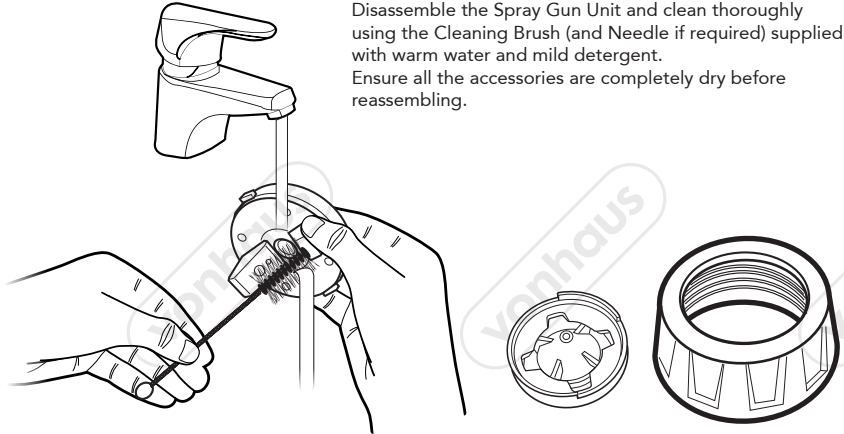
Switch the Main Unit back off, and disconnect from the mains outlet.

Press the Quick Release Button on the top of the Spray Gun and pull the the Nozzle unit to separate.

Securely sit the Spray Gun into the Seat on the Main Unit whilst cleaning is taking place.



Remove the container and clean again if required. Always check the sealant ring for damage and replace if necessary to prolong the lifespan of the product.

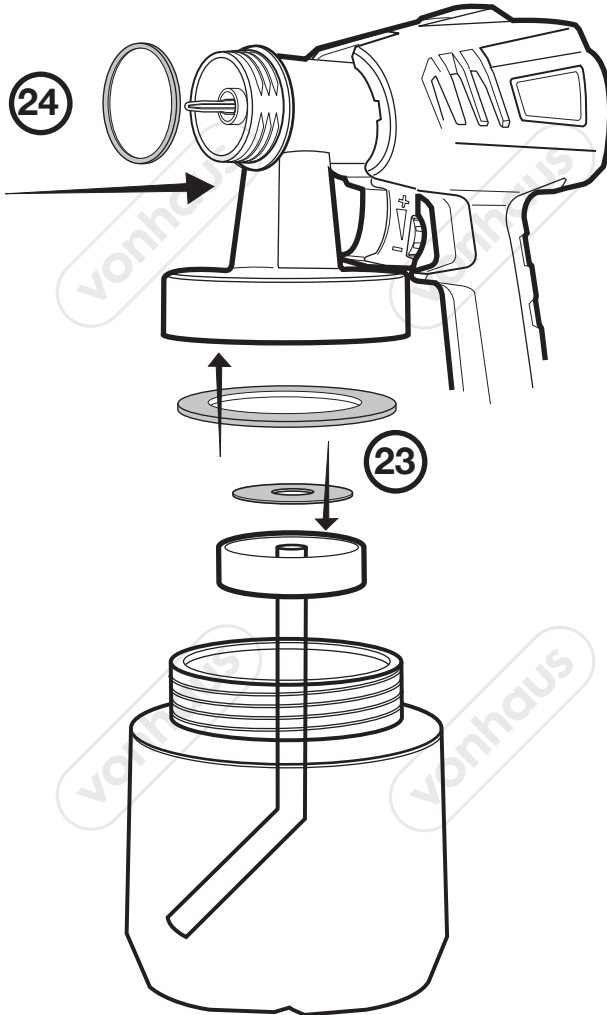


If you notice a reduction in the performance of the Paint Station, this may indicate the filter needs to be cleaned. Simply unclip the Air Filter Cover at the front of the Main Unit. Remove the filter and gently wash using warm water.

IMPORTANT! The filter must be thoroughly dry before re-inserting into the Main Unit. Click the cover back into place to secure.

MAINTENANCE - SPARE SEAL REPLACEMENT

Regularly check the condition of the Seals and O-Ring. If you notice any signs of deterioration, please use the spares that are supplied to prolong the lifespan of the Paint Station. See the image below for reference on the position of the seals and O-Ring.



TROUBLESHOOTING

PROBLEM	CAUSE	SOLUTION
LITTLE OR NO PAINT FLOW	<ol style="list-style-type: none"> 1. Nozzle clogged 2. Suction tube clogged 3. Suction tube loose 4. No pressure build up 5. Air Filter clogged 	<ol style="list-style-type: none"> 1. Clean 2. Clean 3. Insert 4. Tighten container 5. Change
MATERIAL LEAKING	<ol style="list-style-type: none"> 1. Nozzle loose 2. Nozzle worn 3. Nozzle seal worn 4. Material build up on cap/nozzle 	<ol style="list-style-type: none"> 1. Tighten 2. Replace 3. Replace 4. Clean
PAINT ATOMISATION IS TOO COARSE	<ol style="list-style-type: none"> 1. Viscosity is too high 2. Material volume too high 3. Nozzle clogged 4. No pressure build up 	<ol style="list-style-type: none"> 1. Decrease volume setting 2. Decrease volume setting 3. Clean 4. Tighten container
SPRAY JET PULSATES	<ol style="list-style-type: none"> 1. Material in container running out 2. Air Filter clogged 	<ol style="list-style-type: none"> 1. Refill 2. Clean
PATTERN RUNS/SAGS	<ol style="list-style-type: none"> 1. Applying too much Paint 	<ol style="list-style-type: none"> 1. Adjust flow or increase movement of spray gun
TOO MUCH OVERSPRAY	<ol style="list-style-type: none"> 1. Spray gun too far from spray object 2. Too much material applied 	<ol style="list-style-type: none"> 1. Reduce distance 2. Decrease volume setting
PATTERN IS LIGHT & SPLOTCHY	<ol style="list-style-type: none"> 1. Moving spray gun too fast 	<ol style="list-style-type: none"> 1. Adjust material flow or increase movement of spray gun



DISPOSAL INFORMATION Please recycle where facilities exist. Check with your local authority for recycling advice.

CUSTOMER SERVICE If you are having difficulty using this product and require support, please contact support@domu.co.uk

WARRANTY To register your product and find out if you qualify for a free extended warranty please go to www.vonhaus.com/warranty. Please retain a proof of purchase receipt or statement as proof of the purchase date. The warranty only applies if the product is used solely in the manner indicated in the warnings page of this manual, and all other instructions have been followed accurately. Any abuse of the product or the manner in which it is used will invalidate the warranty. Returned goods will not be accepted unless re-packaged in its original packaging and accompanied by a relevant and completed returns form. This does not affect your statutory rights. No rights are given under this warranty to a person acquiring the appliance second-hand or for commercial or communal use.

COPYRIGHT All material in this instruction manual are copyrighted by DOMU Brands. Any unauthorised use may violate worldwide copyright, trademark, and other laws.

THANK YOU

Thank you for purchasing your product/appliance. Should you require further assistance with your purchase, you can contact us at support@domu.co.uk

VonHaus is a registered trademark of DOMU Brands Ltd. Made in China for DOMU Brands. M24 2RW.