

171 CC PETROL LAWNMOWER

Product Instructions

Product No. 3519046

vonhaus

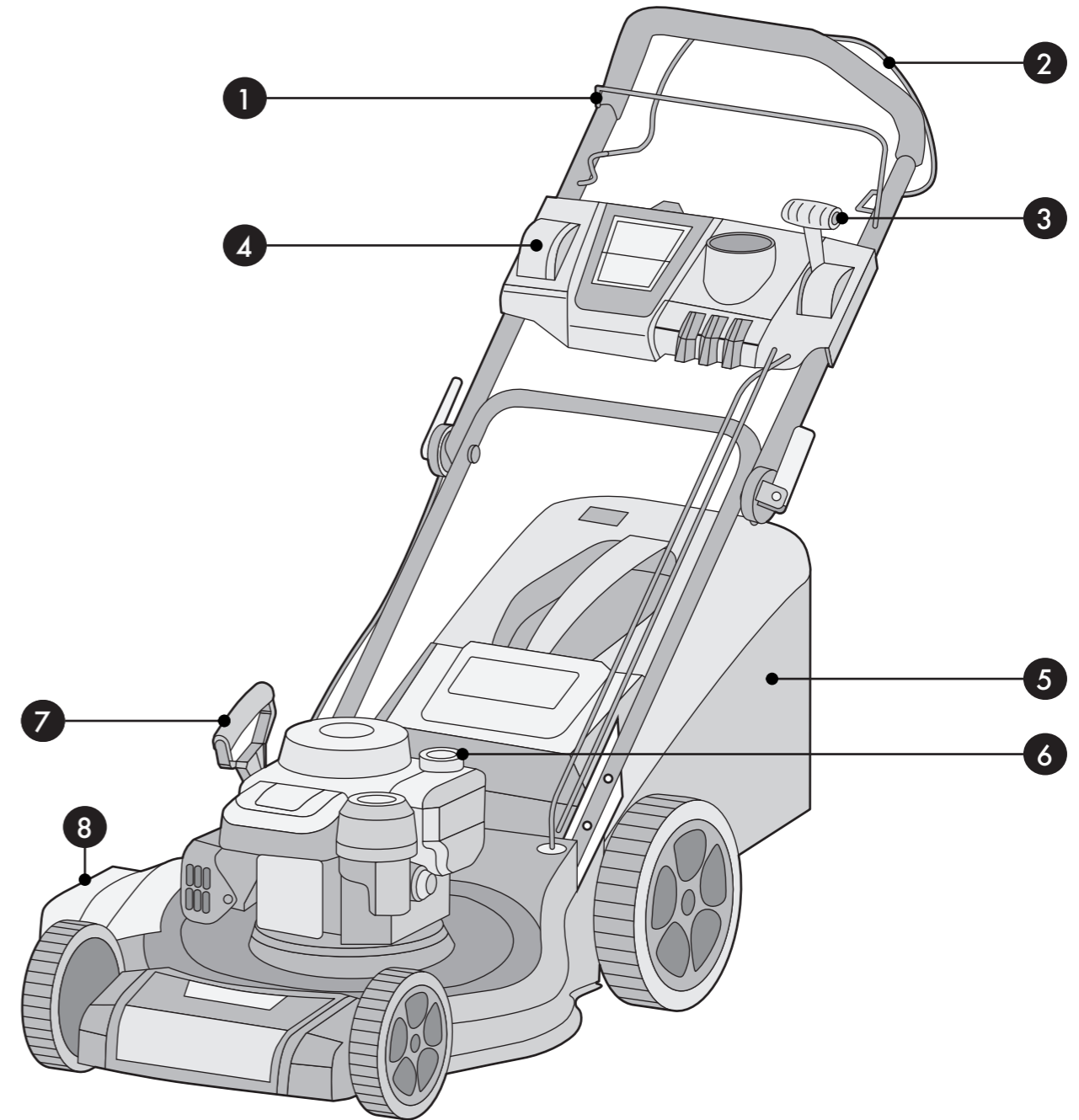
Let's get started!

Visit our product hub for useful tips and tricks on getting the most out of your new product.

SCAN ME



Parts & Components



Need further help?
support@vonhaus.com

See our full range at
www.vonhaus.com

- 1. Start Lever
- 2. Self Propelled Lever
- 3. Travel Speed Control Lever
- 4. Handle Panel
- 5. Grass Catcher
- 6. Fuel Cap
- 7. Central Mowing Height Adjustment Lever
- 8. Side Discharge Deflector

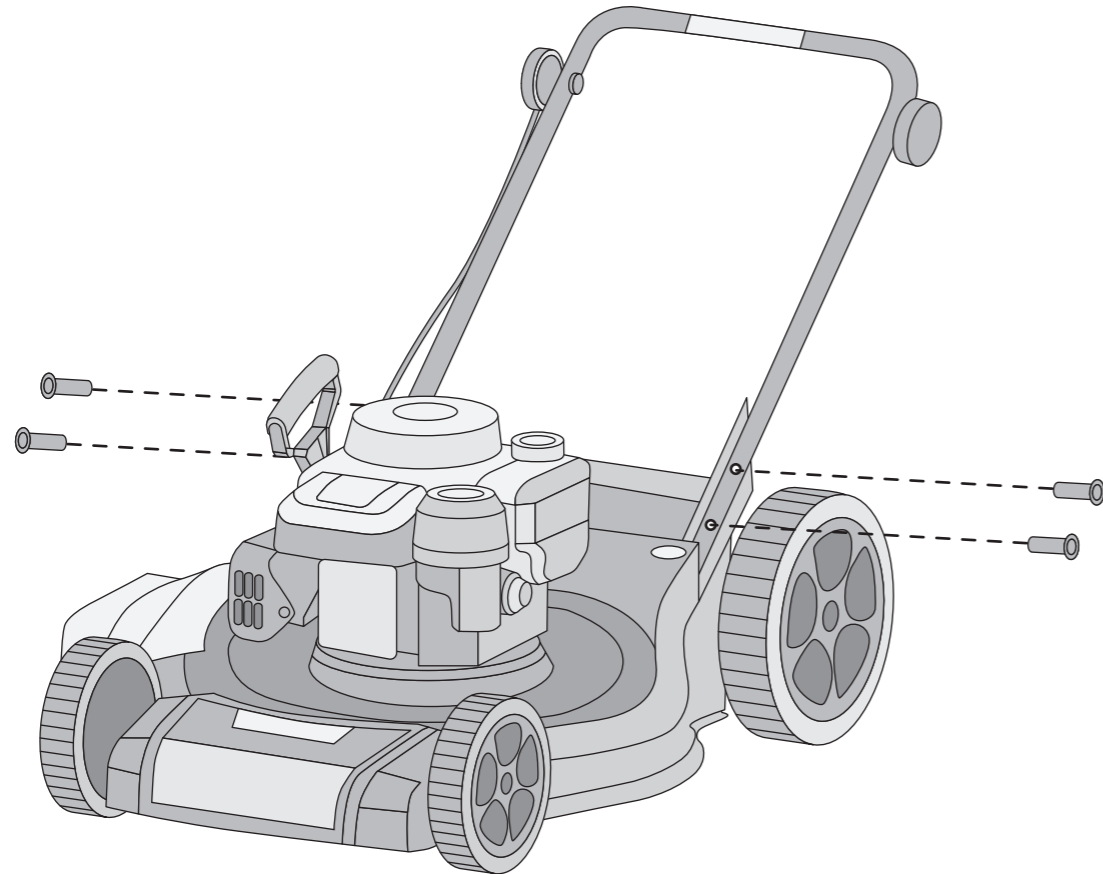
Assembly

1

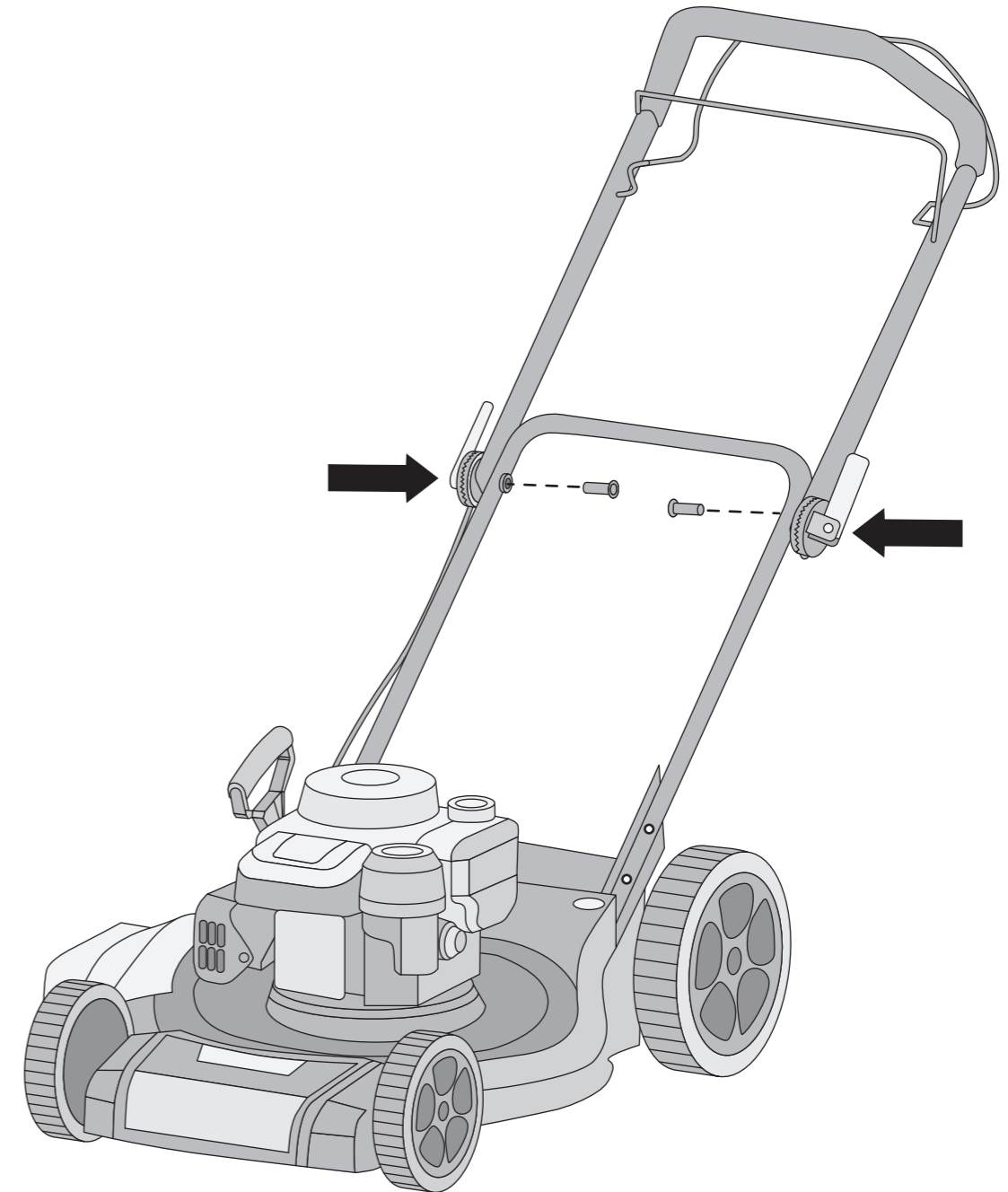


IMPORTANT!

Your lawnmower comes partially assembled. You'll need to attach the handle, install the grasscatcher, and add oil and fuel before first use.

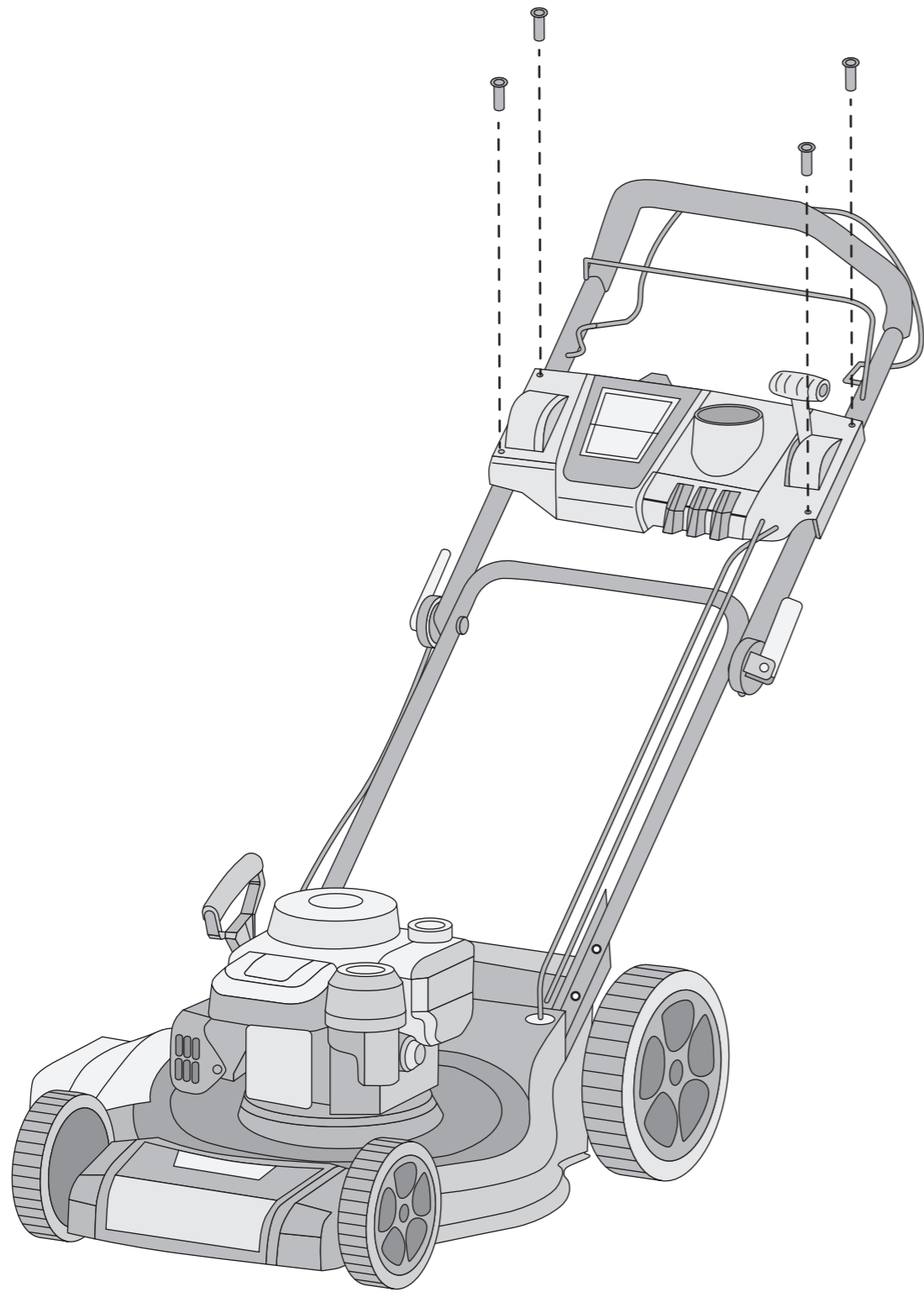


2



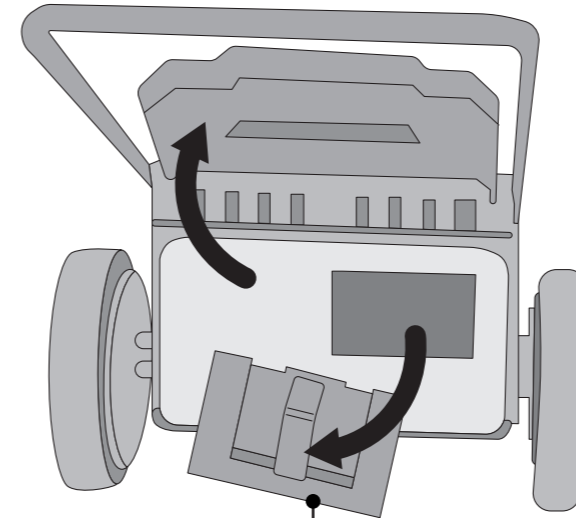
Assembly

3



Adding the Grass Catcher

1



Rear Mulching Plug

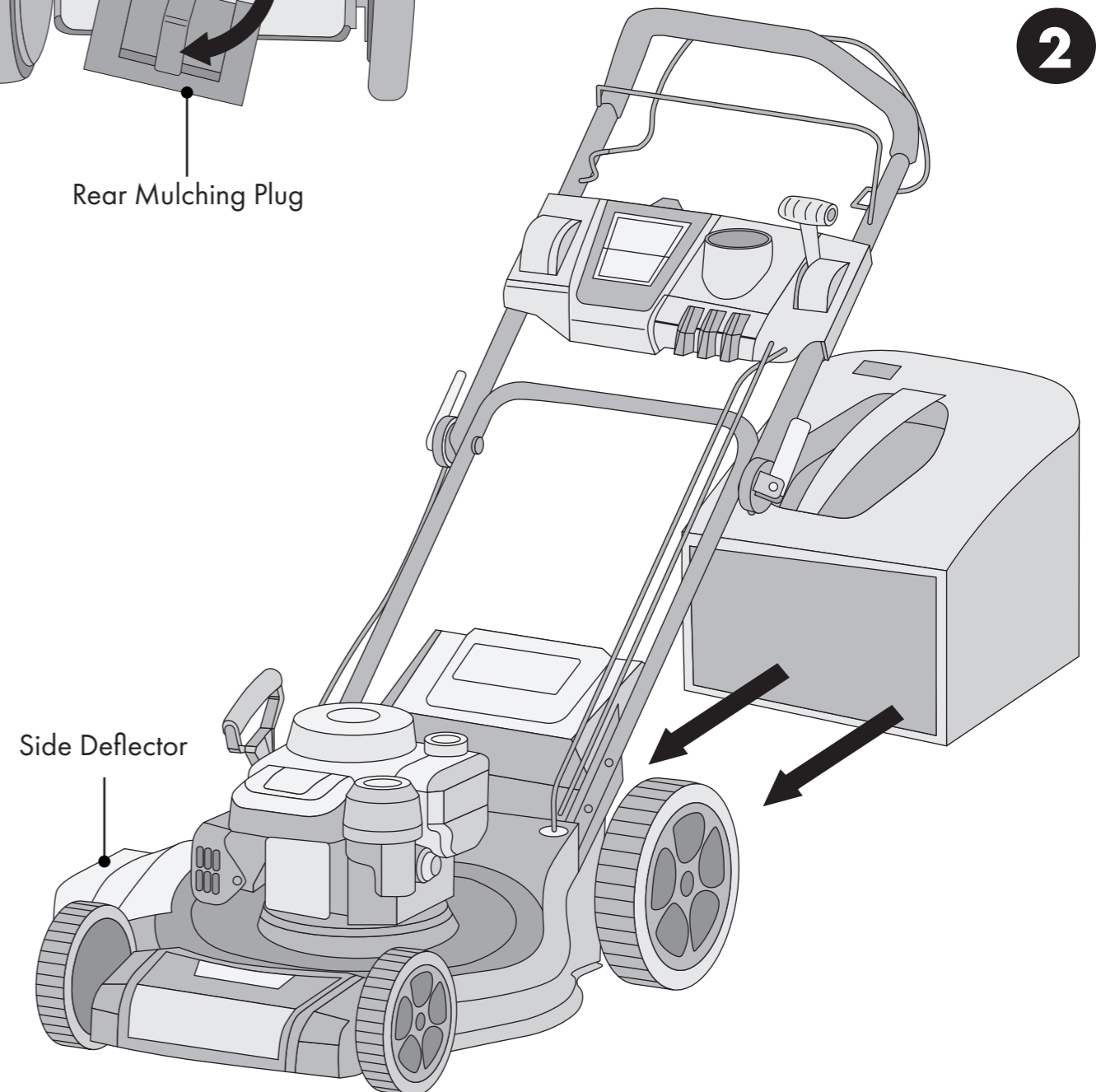
Mowing Modes

Grass Collection: Install grass catcher for normal mowing

Rear Discharge: Remove grass catcher - clippings discharge behind

Side Discharge: Attach side deflector and rear mulching plug

2



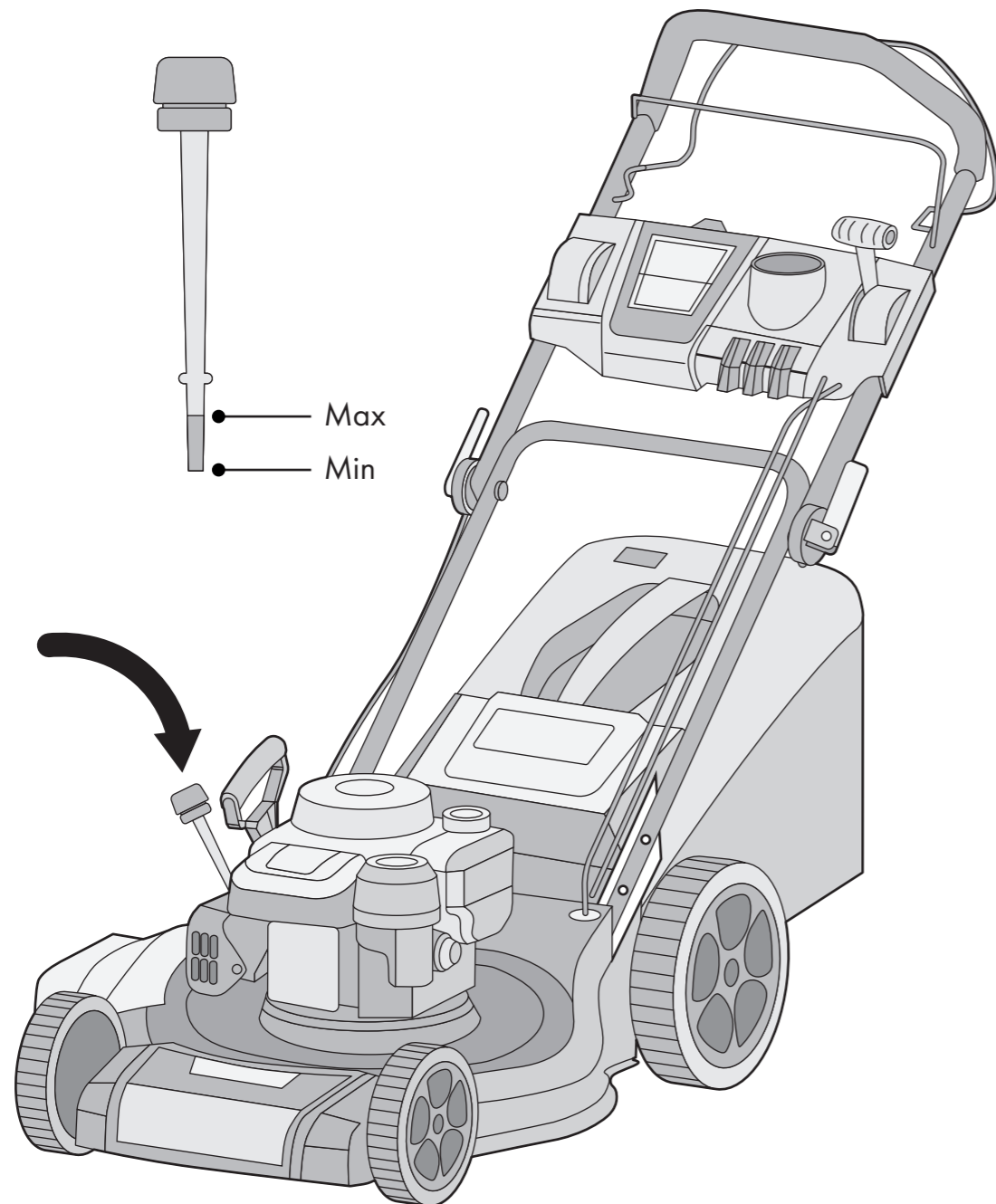
Side Deflector

Add Oil

Add Oil (REQUIRED - Engine has no oil)

- **Oil type:** SAE30 or 15W-40
- **Amount:** 500ml (approximately)
- **Check level:** Oil should be between MIN and MAX marks on dipstick

Don't overfill - causes excessive smoke



Add Fuel

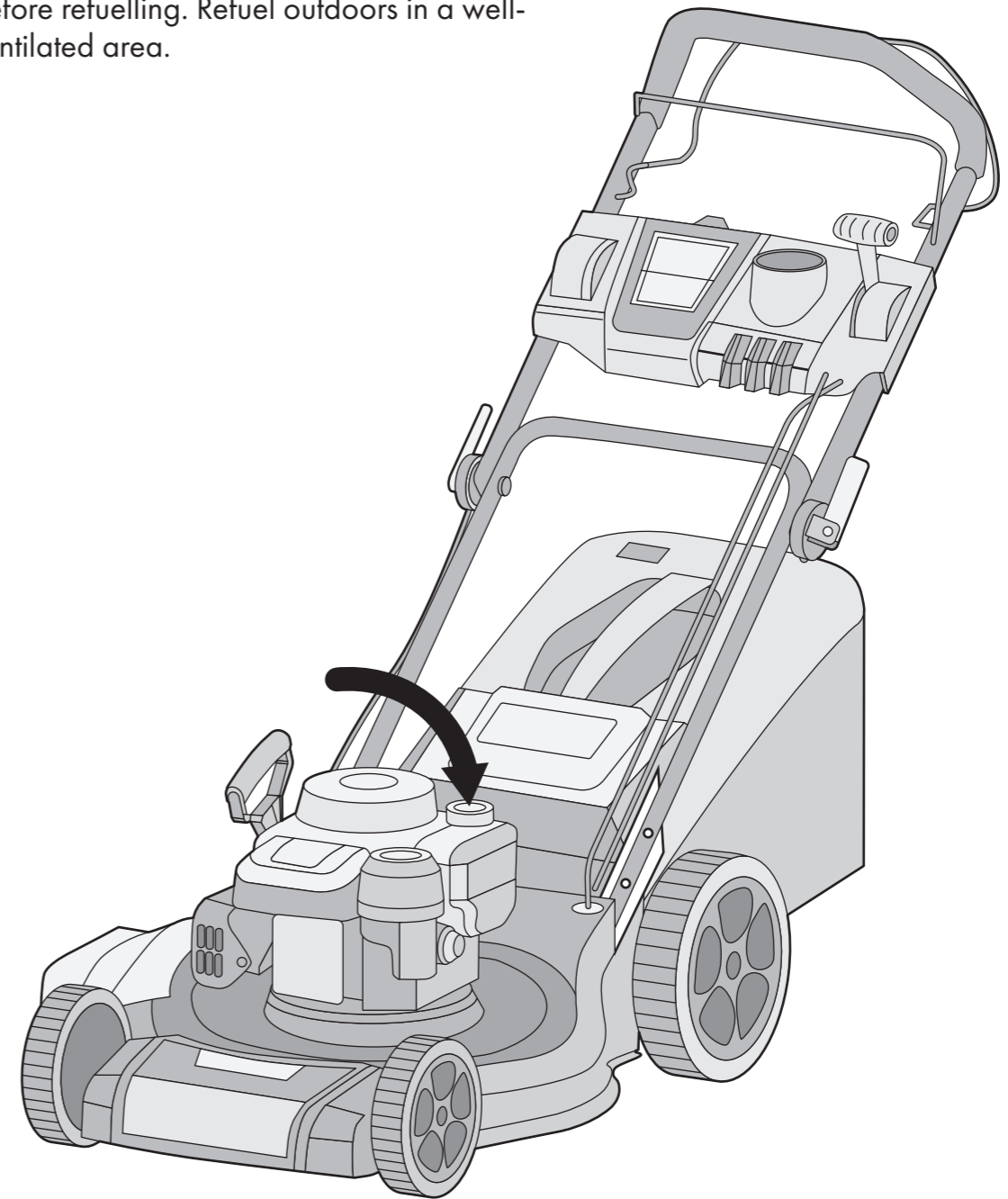


Fuel type: Unleaded petrol, minimum 95 octane
Fill to collar of tank (don't overfill)

Highly Flammable: Petrol emits vapours that can ignite easily. Never refuel near open flames or while the engine is hot or running.
Always allow the engine to cool completely before refuelling. Refuel outdoors in a well-ventilated area.

Avoid overfilling: Leave space in the tank for fuel expansion.

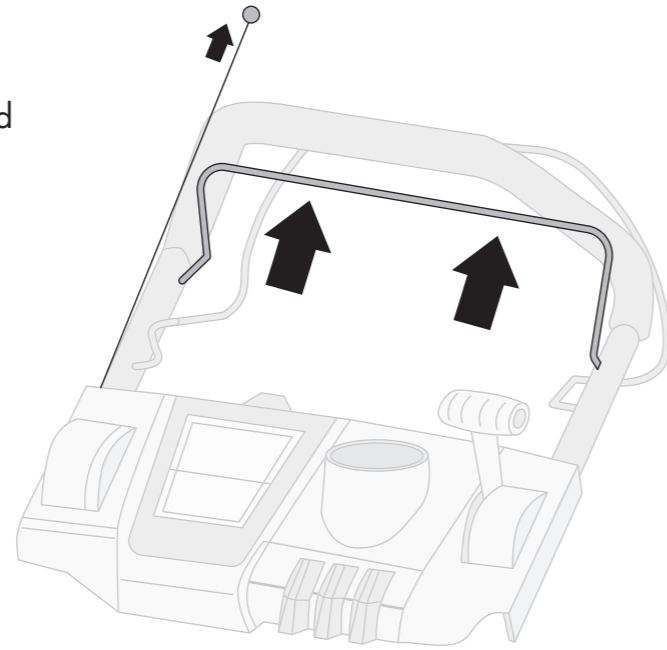
Storage Safety: Store petrol in approved containers with secure caps. Keep containers out of direct sunlight and away from living areas.



Operation

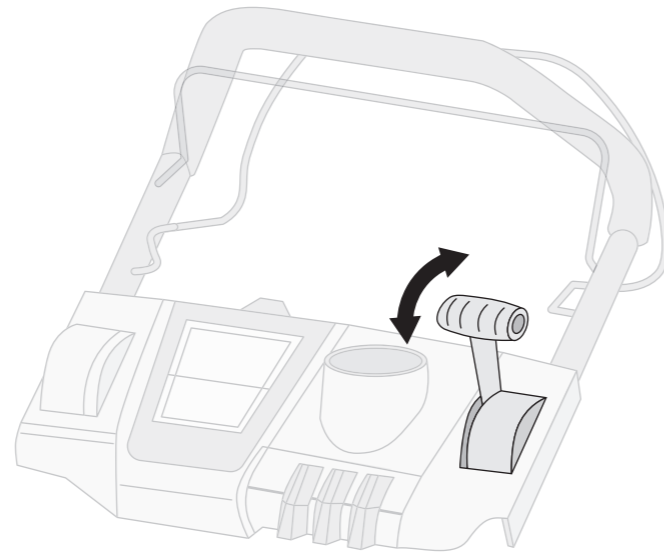
Starting the Engine

1. Pull start/brake lever toward handle and hold
2. Pull starter cord 3-4 times until engine starts
3. To stop: release the start/brake lever



Height Adjustment

- Use central lever for 8 height positions (25-75mm)
- **Rule:** Never cut more than 1/3 of grass length at once
- For overgrown lawns: cut high first, then lower gradually



Usage & Safety



Sharp edges



Protect your ears



Protect your eyes



Protect your hands



Wear suitable footwear



Protective clothing must be worn



Beware of kickback



Potential finger trap points



Maintain a safe distance from bystanders



Do not use in wet conditions

Usage & Safety

Important Safety Notice

This product is not suitable for use by children or by individuals with physical, sensory or mental impairments that may limit their ability to operate the equipment safely, unless they have been given supervision or instruction concerning the safe use of the product by a person responsible for their safety.

Improper use may result in serious injury. Always ensure the operator is capable of understanding and following all safety instructions provided in this manual.

General Precautions

Never operate near people, children, or pets
Always wear closed shoes and long pants

Stop engine before any maintenance or adjustments

Don't use on slopes steeper than 20°

Keep hands and feet away from moving parts
Use eye and ear protection

Pro Tips

Mow when grass is dry for best results

Change direction each time you mow for even appearance

Keep spare spark plug and oil on hand

Clean air filter regularly for better performance

Storage (30+ Days)

Allow the engine to cool before storing or transporting.

Keep the mower in a dry, secure area away from children and flammable materials.

1. Empty fuel tank completely
2. Start engine and let it run until it stops (empties fuel system)
3. Remove spark plug, add small amount of oil to cylinder
4. Pull starter cord 2-3 times
5. Clean exterior and store in dry place

Oil Changes

First change: After 5 hours of use

Regular changes: Every 25 hours
Drain plug located under engine

Blade Maintenance

Always switch off the engine and disconnect the spark plug before cleaning or servicing.

Never disable safety features or modify the mower.

Sharpen every 25 hours
Replace if damaged or unbalanced
Tightening torque: 40 Nm

Usage & Safety

Troubleshooting

If the engine won't start, check the oil level, fuel, and the spark plug connection.

If you experience poor grass collection, raise the cutting height and check whether the grass is wet.

If you notice excessive vibration, stop the machine immediately and check for blade damage.

If the engine is smoking, check the oil level, as it may be overfilled.

Technical Specs

- **Engine:** 2.8kW, 4-stroke, air-cooled
- **Cutting width:** 510mm
- **Fuel capacity:** 0.85L
- **Oil capacity:** 0.4L
- **Grass bag:** 65L
- **Net Weight:** 26.5kg
- **Noise level:** 98dB(A)

Legal

Disposal Information

Please recycle where facilities exist. Check with your local authority for recycling advice.

Customer Service

If you are having difficulty using this product and require support, please contact support@vonhaus.com

Warranty

To register your product and find out if you qualify for a free extended warranty please go to www.vonhaus.com/warranty

Please retain a proof of purchase receipt or statement as proof of the purchase date.

The warranty only applies if the product is used solely in the manner indicated in the warnings page of this manual, and all other instructions have been followed accurately.

Any abuse of the product or the manner in which it is used will invalidate the warranty.

Returns

Returned goods will not be accepted unless re-packaged in its original packaging and accompanied by a relevant and completed returns form. This does not affect your statutory rights.

No rights are given under this warranty to a person acquiring the appliance second-hand or for commercial or communal use.

Copyright

All material in this instruction manual are copyrighted by DOMU Brands.

Any unauthorised use may violate worldwide copyright, trademark, and other laws.

Thank You

Thank you for purchasing your product/appliance.

Should you require assistance with your purchase, please contact us at support@vonhaus.com

VonHaus is a registered trademark of DOMU Brands Ltd.

Made in China for DOMU Brands Ltd.
Unit 30, Stakehill Industrial Estate
Middleton, Manchester, M24 2RW

EU Authorised Representative

Authorised Representative Service
77 Camden Street Lower
Dublin, D02 XE80
Ireland

Let's get started!

Visit our product hub for useful tips and tricks on getting the most out of your new product.

SCAN ME

